

## Data Sheet

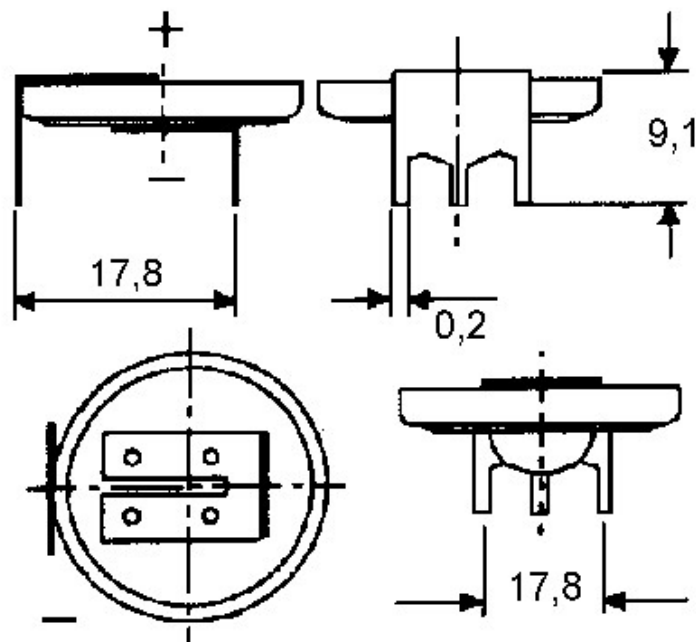
<b>Type Number</b> .....	6450	
<b>Designation IEC</b> .....	CR 2450	
<b>System</b> .....	Li-Manganese dioxide / Organic Electrolyte	
<b>UL Recognition:</b> .....	MH 13654 (N)	
<b>Nominal Voltage</b> .....	3 V	
<b>Typical Capacity C</b> .....	560 mAh	
Load 5.6 kOhm, at 20°C down to 2 V		
<b>Weight (approx.)</b> .....	6,2 g	
<b>Volume</b> .....	2,3 ccm	
<b>Coding</b> .....	Date of Manufacturing Month/Year	
<b>Temperature Ranges</b>	min	max.
Storage .....	-55°C	70°C
Discharge .....	-20°C	65°C

**Segment** ..... Electronic

**Main Applications** ..... Watch  
Photo  
Electronic

### Typical Capacities (at 20°C)

Discharge Type	Load	End Voltage:	2.0 V
Continuous 24h/d,7d/w Current [ $\mu$ A]:	5600 $\Omega$	Time: Capacity [mAh] Energy m[Wh] :	1100 h 560 1550

**Data Sheet****Dimensions in mm**

All Data contained herein is for single cells

For battery applications, performance data may vary from single cell data, depending on specific battery configuration

VARTA Microbattery GmbH, Daimlerstr. 1, D-73479 Ellwangen/Jagst  
Tel.: (+49) 7961/921-0, Telefax: (+49) 7961/921-553

Subject to change without prior notice!  
Date of issue: 2004-12-16