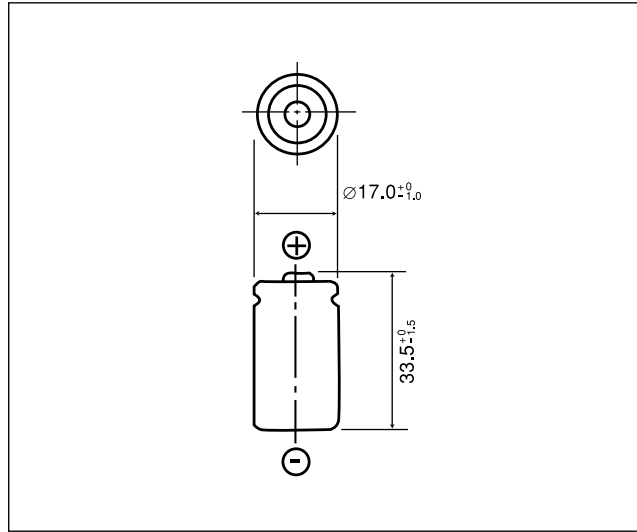


BR-2/3A

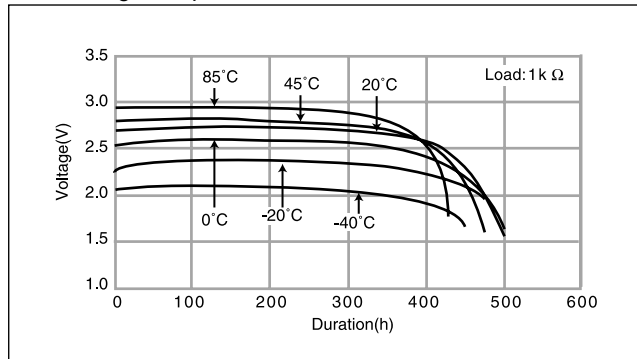
Dimensions(mm)



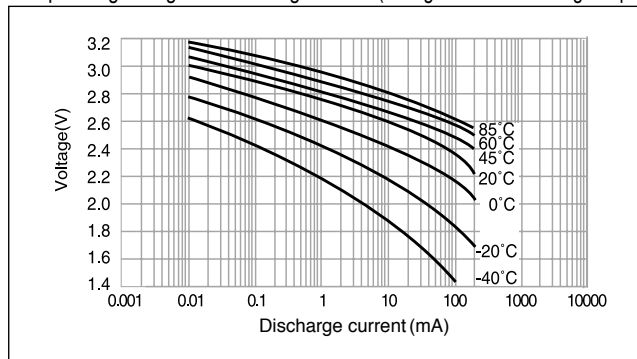
Specification

Nominal voltage(V)	3
Nominal capacity(mAh)	1,200
Continuous drain(mA)	2.5
Operating temperature(°C)	-40 to +85

Discharge temperature characteristics



Operating voltage vs. Discharge current (voltage at 50% discharge depth)



* The data in this document are for descriptive purposes only and are not intended to make or imply any guarantee or warranty.