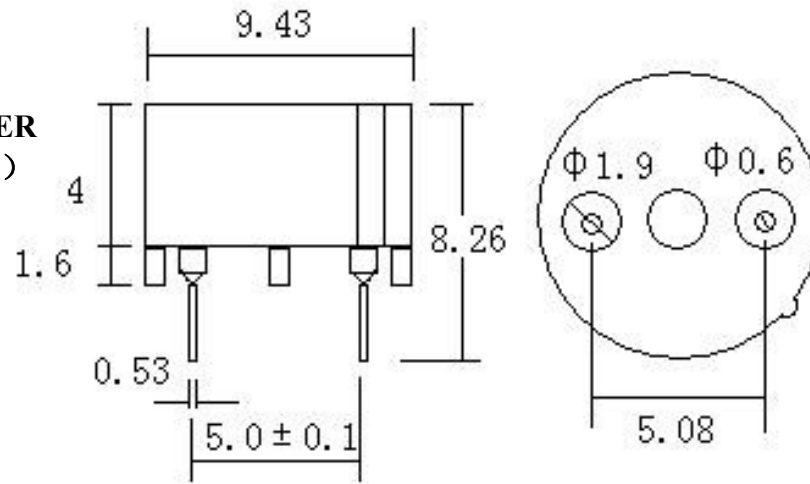


★DESCRIPTION:
MICRO FUSE HOLDER
(TR5 FUSE HOLDER)

★COLOUR:
BLACK



Material:
Nylon plastic
Nickel plating brass