

# JL-224B

PECU  
(UK version steeple top cover)

NEMA Twist-lock



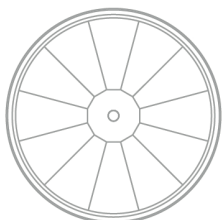
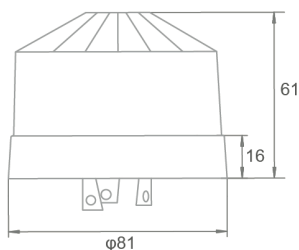
## PRODUCT SUMMARY

The PECU JL-224B is applicable to control the street lighting, garden lighting, passage lighting and doorway lighting automatically in accordance with the ambient natural lighting level.

This product is designed with electronic circuits with sensor of phototransistor and a surge arrester (MOV) is provided. Especially, model JL-224B has an omnidirectional face-top sensor for customer applications per BS5972.

Further, a preset 5-30 seconds time-delay might avoid redundancy operation due to spotlight or lightning during the night time.


This product provides twist-lock terminals meets the requirements of BS5972 and this series conforms the CE (UKCA) and RoHS directives.



## FEATURES

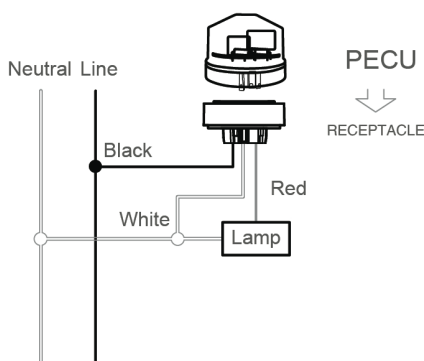
- BS5972 omnidirection
- Time Delay of 5-30s
- Multi-Volts Available
- Surge Arrester Built-in
- Phototransistor sensor
- Use with a BS5972 Twist-lock receptacle

## SPECIFICATIONS

Model No.	JL-224B	JL-224C
Rated Voltage	220~240VAC	120-277VAC
Rated Frequency	50/60Hz	
Rated Loading	1000W Tungsten, 1800VA Ballast	
Power Consumption	8W@240VAC	3W@120VAC
Operate Levels	On < 20Lx, off > 80Lx	
Ambient Temperature	-40°C ~ +70°C	
Related Humidity	96%	
Failure Mode	Fail-Off	
Shell Material	PC	
Surge Protection	●	
IP Level	IP54	
Certifications		

## INSTALLATION

Disconnect power; wire the receptacle according to the diagram below.  
Push the PECU on and twist it clockwise to lock it into the receptacle.



## INITIAL TESTING

- It is normal for the PECU to take several seconds to turn off when first installed.
- To test “turn on” during daytime, cover the body with black bag or other opaque material.
- Do not cover with hand because the light traveling through may be great enough to keep the switch open.
- Test will take approximately 2 minutes.

## ORDERING INFORMATION

JL-224B-12 K IP54

JL-224 **B** - **12** - **K** IP54

*B = 220-240VAC*  
*C = 120-277VAC*

*12 = MOV 110Joule / 3500Amp*  
*15 = MOV 235Joule / 5000Amp*

*K (option) = Kit package with  
JL-210K Receptacle*

# JL-210

## PECU Receptacle (BS version)

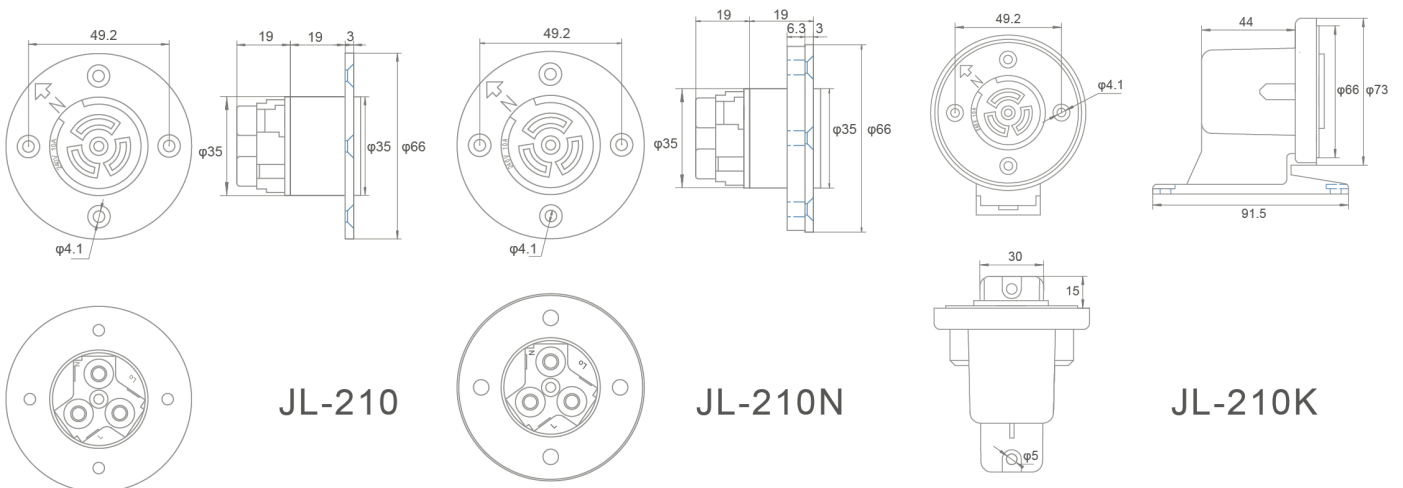
NEMA Interface

JL-210





### PRODUCT SUMMARY

The JL-210 series PECU receptacles are designed for the lanterns those without an BS5972 receptacle. JL-210 is used for lantern assembling, and JL-210K is used for wall-mounted separately.

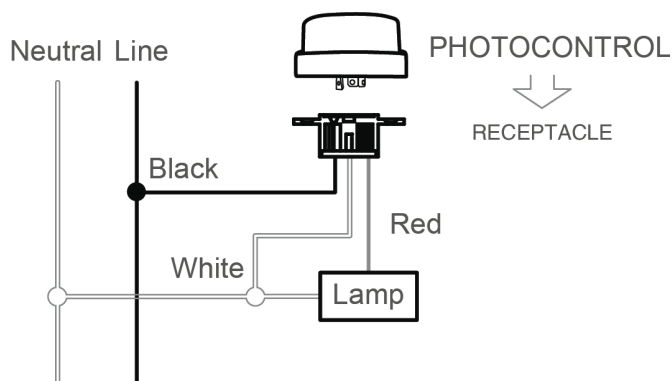


## SPECIFICATIONS

Model No.	JL-210
Power Volt Range	0~480VAC
Rated Frequency	50/60Hz
Ambient Temperature	-40°C ~ +70°C
Related Humidity	96%
Receptacle	PC
Certifications	 

## INSTALLATION

Disconnect power; wire the receptacle according to the diagram in below.



An arrow indicating NORTH on the top of the receptacle is used to assist correct direction. Adjust the receptacle position if necessary.

## ORDERING INFORMATION

JL210 N

JL-210 N

***N = N6 rubber gasket enclosed***

K = with mounting bracket kit

Null = receptacle only