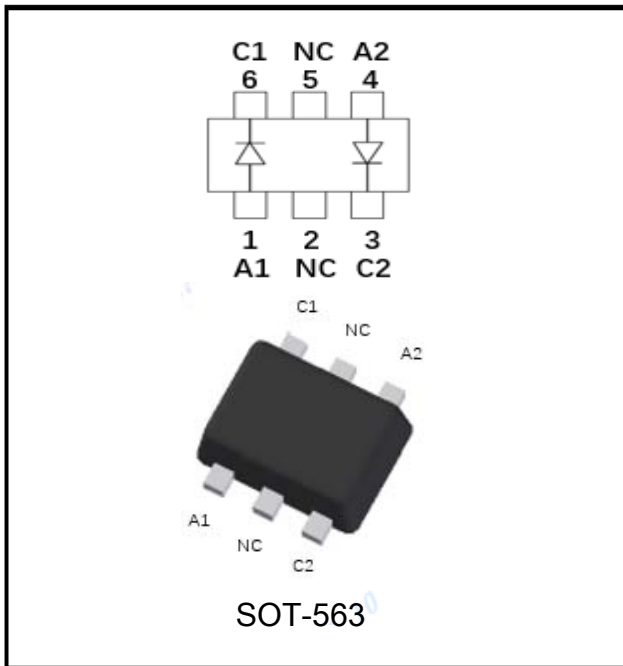


Schottky Barrier Diode



Features

- Moisture Sensitivity Level 1
- Low Forward Voltage
- Surface Mount device

Mechanical Data

- **Package:** SOT-563
- **Terminals:** Tin plated leads, solderable per J-STD-002 and JESD22-B102
- **Marking:** KAN
- **Solid point:** A1 positioning point

■Maximum Ratings (Ta=25°C Unless otherwise specified)

Item	Symbol	Unit	Value
Continuous Reverse Voltage	V_R	V	40
Forward Continuous Current	I_F	mA	200
Total Power Dissipation @ TA=25°C	P_D	mW	150
Thermal Resistance, Junction to Ambient	$R_{\theta JA}$	°C/W	667
Operation Junction Temperature	T_J	°C	-55 to +125

■Electrical Characteristics (Ta=25°C unless otherwise specified)

Item	Symbol	Unit	Conditions	Value
Reverse breakdown voltage	$V_{(BR)}$	V	$I_R=10\mu A$	40
Reverse voltage leakage current	I_R	nA	$V_R=30V$	200
Forward voltage	V_F	mV	$I_F=1mA$	380
			$I_F=40mA$	1000
Diode Capacitance	C_J	pF	$f=1.0MHz, V_R=0V$	5
Reverse Recovery Time	T_{rr}	ns	$I_{rr}=0.5mA, I_R=I_F=5mA, R_L=100\Omega$	5

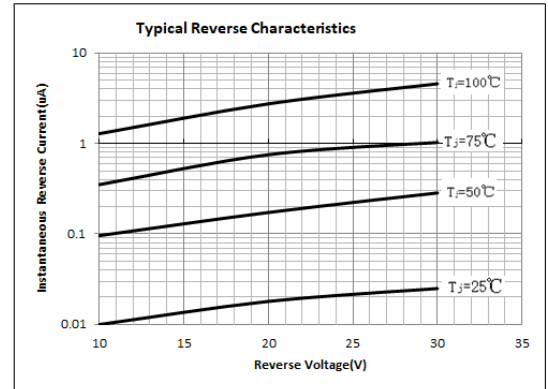
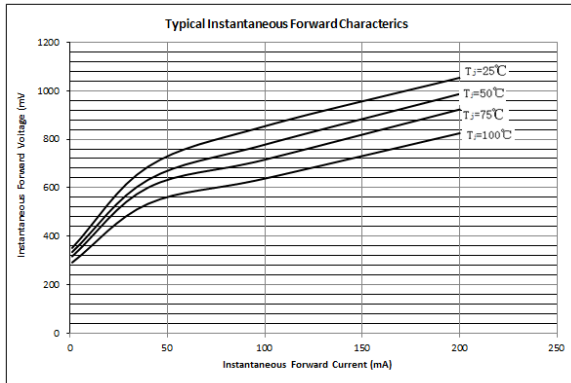


BAS40V

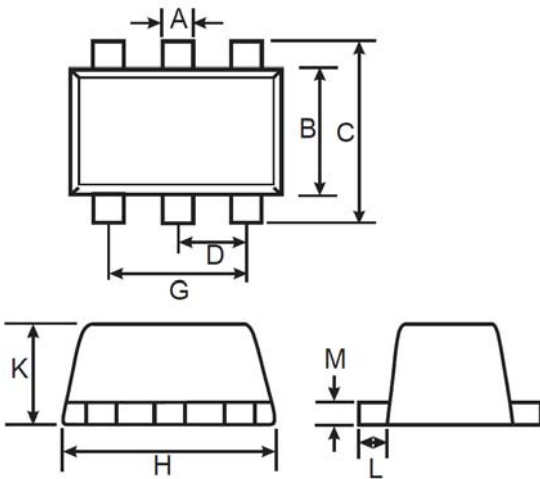
Ordering Information (Example)

Preferred P/N	Packing Code	Unit Weight(G)	Minimum Package(Pcs)	Inner Box Quantity(Pcs)	Outer Carton Quantity(Pcs)	Delivery Mode
BAS40V	F2	Approximate 0.0035	3000	30000	120000	7" reel

Characteristics (Typical)

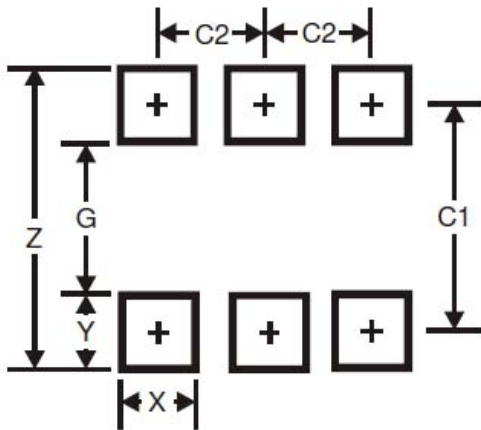


■ SOT-563 Package Outline Dimensions



DIM	DIMENSIONS			
	INCHES		MM	
	MIN	MAX	MIN	MAX
A	0.006	0.011	0.15	0.30
B	0.043	0.051	1.10	1.30
C	0.059	0.067	1.50	1.70
D	0.016	0.024	0.40	0.60
G	0.035	0.043	0.90	1.10
H	0.059	0.067	1.50	1.70
K	0.020	0.023	0.52	0.60
L	0.004	0.011	0.10	0.30
M	0.004	0.007	0.10	0.18

■ SOT-563 Suggested Pad Layout



Dimensions	Value (in mm)
Z	2.2
G	1.2
X	0.375
Y	0.5
C1	1.7
C2	0.5



BAS40V

Disclaimer

The information presented in this document is for reference only. Yangzhou Yangjie Electronic Technology Co., Ltd. reserves the right to make changes without notice for the specification of the products displayed herein to improve reliability, function or design or otherwise.

The product listed herein is designed to be used with ordinary electronic equipment or devices, and not designed to be used with equipment or devices which require high level of reliability and the malfunction of which would directly endanger human life (such as medical instruments, transportation equipment, aerospace machinery, nuclear-reactor controllers, fuel controllers and other safety devices), Yangjie or anyone on its behalf, assumes no responsibility or liability for any damages resulting from such improper use of sale.

This publication supersedes & replaces all information previously supplied. For additional information, please visit our website [http:// www.21yangjie.com](http://www.21yangjie.com) , or consult your nearest Yangjie's sales office for further assistance.