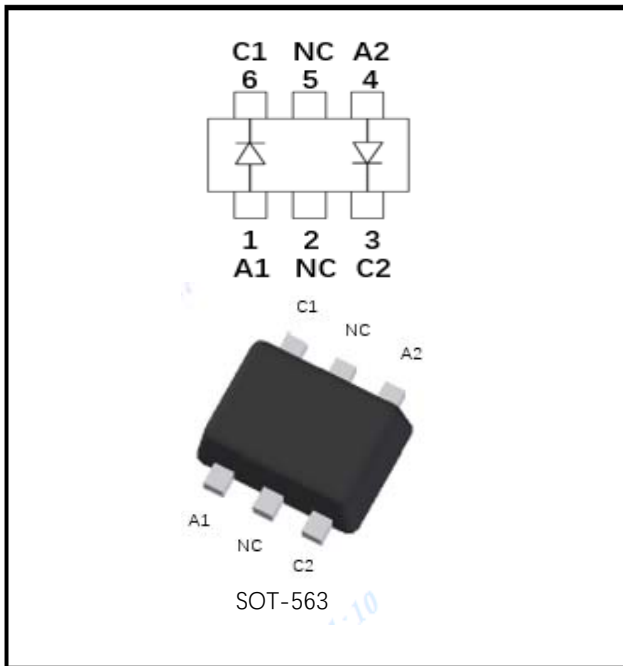


## Schottky Barrier Diode



### Features

- Moisture Sensitivity Level 1
- Low Forward Voltage
- Surface Mount device

### Mechanical Data

- **Package:** SOT-563
- **Terminals:** Tin plated leads, solderable per J-STD-002 and JESD22-B102
- **Marking:** KAV
- **Solid point:** A1 positioning point

### ■Maximum Ratings (Ta=25°C Unless otherwise specified)

Item	Symbol	Unit	Value
Continuous Reverse Voltage	$V_R$	V	30
Forward Continuous Current	$I_F$	mA	200
Non-Repetitive Peak Forward Surge Current @ t=8.3ms	$I_{FSM}$	A	0.6
Total Power Dissipation @ TA=25°C	$P_D$	mW	150
Thermal Resistance, Junction to Ambient	$R_{\theta JA}$	°C/W	667
Operation Junction Temperature	$T_J$	°C	-55 to +125
Storage Temperature	$T_{STG}$	°C	-55 to +125

### ■Electrical Characteristics (Ta=25°C unless otherwise specified)

Item	Symbol	Unit	Conditions	Value
Maximum Instantaneous Forward Voltage	$V_F$	V	$I_{FM}=0.1mA$	0.24
			$I_{FM}=1mA$	0.32
			$I_{FM}=10mA$	0.4
			$I_{FM}=30mA$	0.5
			$I_{FM}=100mA$	1
Maximum DC Reverse Current	$I_R$	uA	$V_R=25V$	2
Typical Junction Capacitance	$C_J$	pF	f=1.0MHz, $V_R=1.0V$	10
Maximum Reverse Recovery Time	$T_{rr}$	ns	$I_F=I_R=10mA$ , $I_{rr}=0.1I_R$ , $R_L=100\Omega$	5

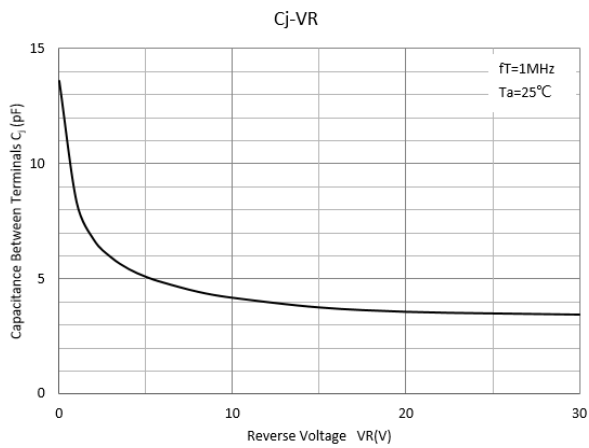
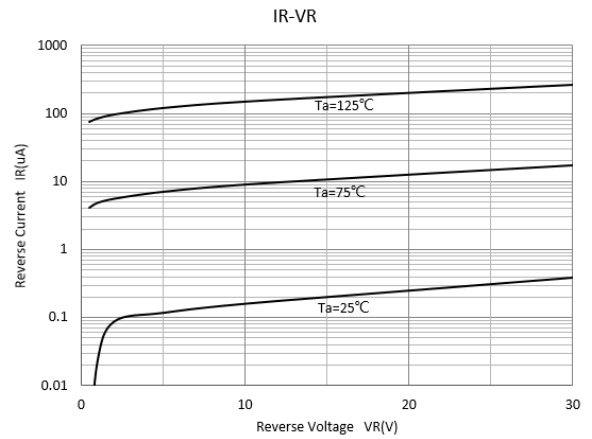
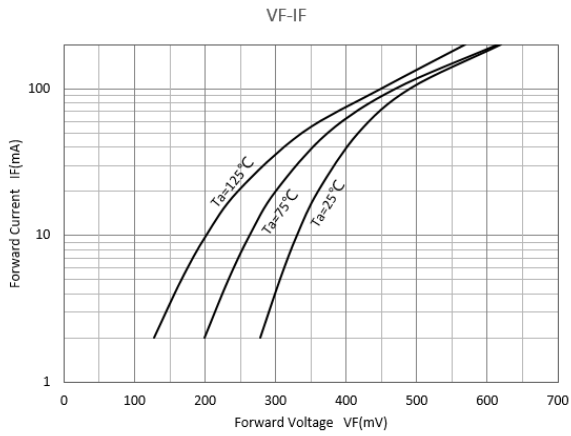


# BAT54V

## ■ Ordering Information (Example)

Prefered P/N	Packing Code	Unit Weight(G)	Minimum Package(Pcs)	Inner Box Quantity(Pcs)	Outer Carton Quantity(Pcs)	Delivery Mode
BAT54V	F2	Approximate 0.0035	3000	30000	120000	7" reel

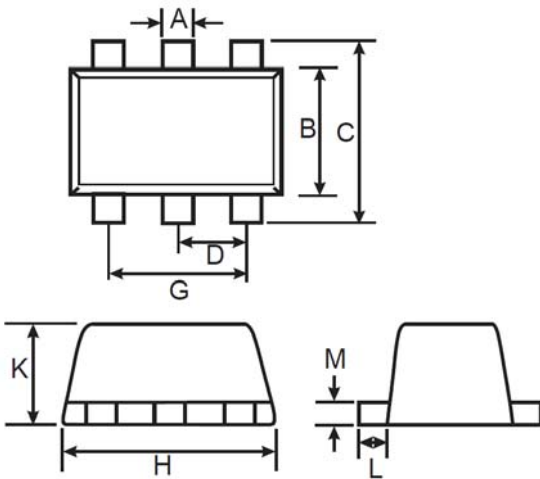
## ■ Characteristics (Typical)





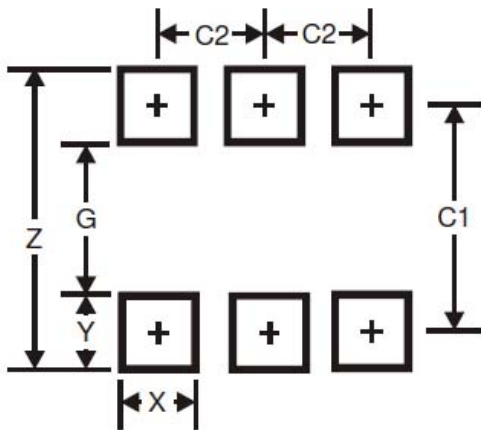
# BAT54V

## ■ SOT-563 Package Outline Dimensions



DIM	DIMENSIONS			
	INCHES		MM	
	MIN	MAX	MIN	MAX
A	0.006	0.011	0.15	0.30
B	0.043	0.051	1.10	1.30
C	0.059	0.067	1.50	1.70
D	0.016	0.024	0.40	0.60
G	0.035	0.043	0.90	1.10
H	0.059	0.067	1.50	1.70
K	0.021	0.026	0.55	0.65
L	0.004	0.011	0.10	0.30
M	0.004	0.007	0.10	0.18

## ■ SOT-563 Suggested Pad Layout



Dimensions	Value (in mm)
Z	2.2
G	1.2
X	0.375
Y	0.5
C1	1.7
C2	0.5



## BAT54V

---

### Disclaimer

The information presented in this document is for reference only. Yangzhou Yangjie Electronic Technology Co., Ltd. reserves the right to make changes without notice for the specification of the products displayed herein to improve reliability, function or design or otherwise.

The product listed herein is designed to be used with ordinary electronic equipment or devices, and not designed to be used with equipment or devices which require high level of reliability and the malfunction of which would directly endanger human life (such as medical instruments, transportation equipment, aerospace machinery, nuclear-reactor controllers, fuel controllers and other safety devices), Yangjie or anyone on its behalf, assumes no responsibility or liability for any damages resulting from such improper use of sale.

This publication supersedes & replaces all information previously supplied. For additional information, please visit our website [http:// www.21yangjie.com](http://www.21yangjie.com) , or consult your nearest Yangjie's sales office for further assistance.