

HBJD Series Signal Tower Lights

Operating Temperature: -25°C~+55°C

Air Humidity: ≤98%

Altitude: 2000m

Vibration Resistance: 50Hz amplitude about 1.2mm

LED Life: 40000hours LED(Steady Light)

25000hours(Flashing Light)

Buzzer Volume: 80~90dB, at 1m

Pollution Degree: 3



HBJD-40 Part Number Description

HBJD-40 ■ □ / △ / ▲ / ●

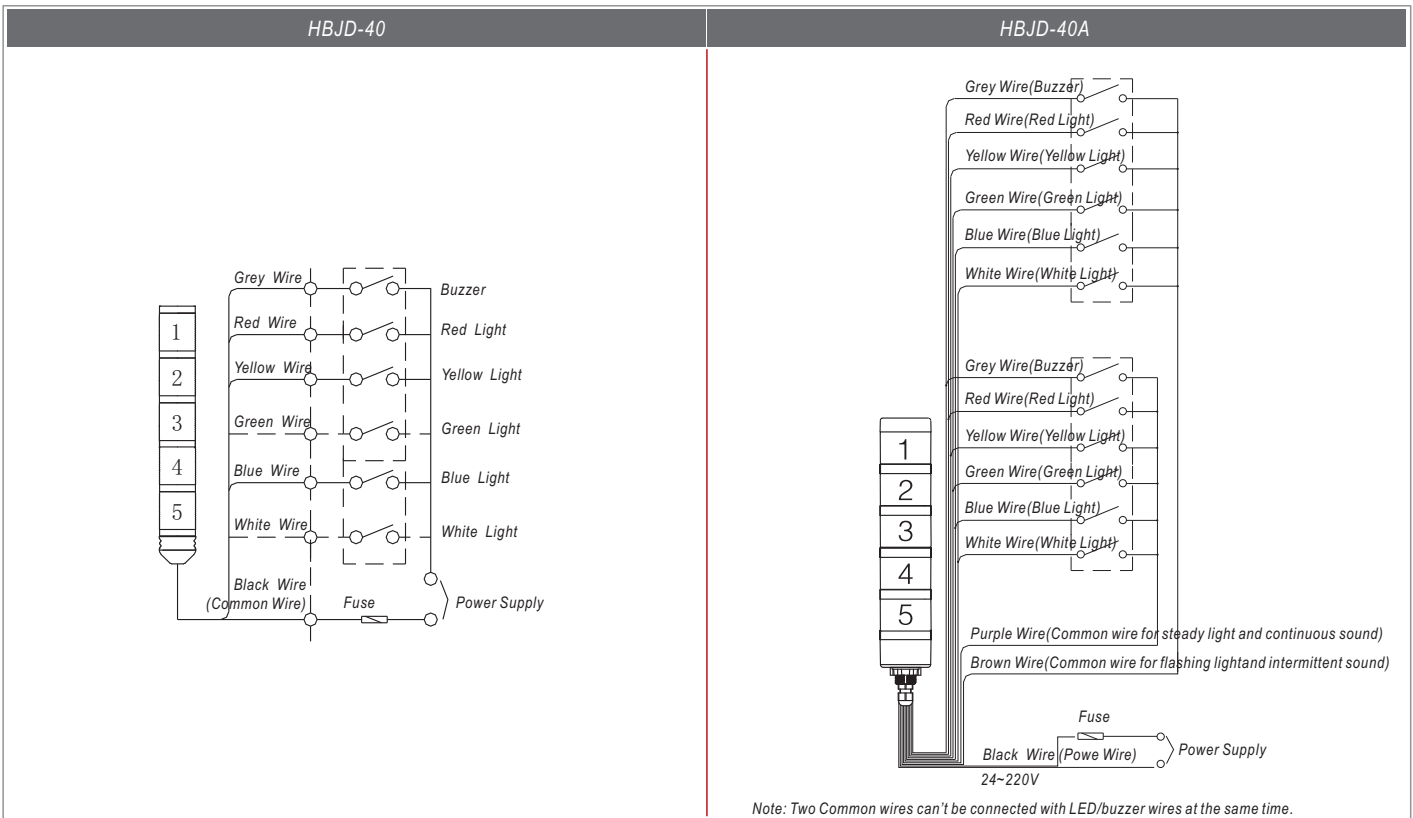
Symbol	Indication	Descriptions
□	Working Status	D: Steady Light / DZA: Steady Light and Continuous Sound / DWA: Steady Light and Intermittent Sound
■	Layer	1: Single Layer / 2: Two Layers / 3: Three Layers / 5: Five Layers
△	Color	R: Red / G: Green / Y: Yellow / B: Blue / W: White For multilayers, specify illumination color from top to bottom
▲	Voltage	AC/DC24V / AC220V (Customized)
●	Mounting Style	A: Standard / B: Pole Mounting with Base / C: Side Mounting / D: Pole Mounting with Foldable Base / E: Foldable Base

HBJD-40A Part Number Description

HBJD-40A ■ □ / △ / ▲ / ●

Symbol	Indication	Descriptions
□	Working Status	D: Steady / Flashing Light / DB: Steady / Flashing Light + Continuous / Intermittent Sound / B: Continuous / Intermittent Sound
■	Layer	1: Single Layer / 2: Two Layers / 3: Three Layers / 5: Five Layers
△	Color	R: Red / G: Green / Y: Yellow / B: Blue / W: White For multilayers, specify illumination color from top to bottom
▲	Voltage	24V (Voltage range: 24V-220VAC/DC) / 12VDC (Customized)
●	Mounting Style	A: Standard / B: Pole Mounting with Base / C: Side Mounting / D: Pole Mounting with Foldable Base / E: Foldable Base

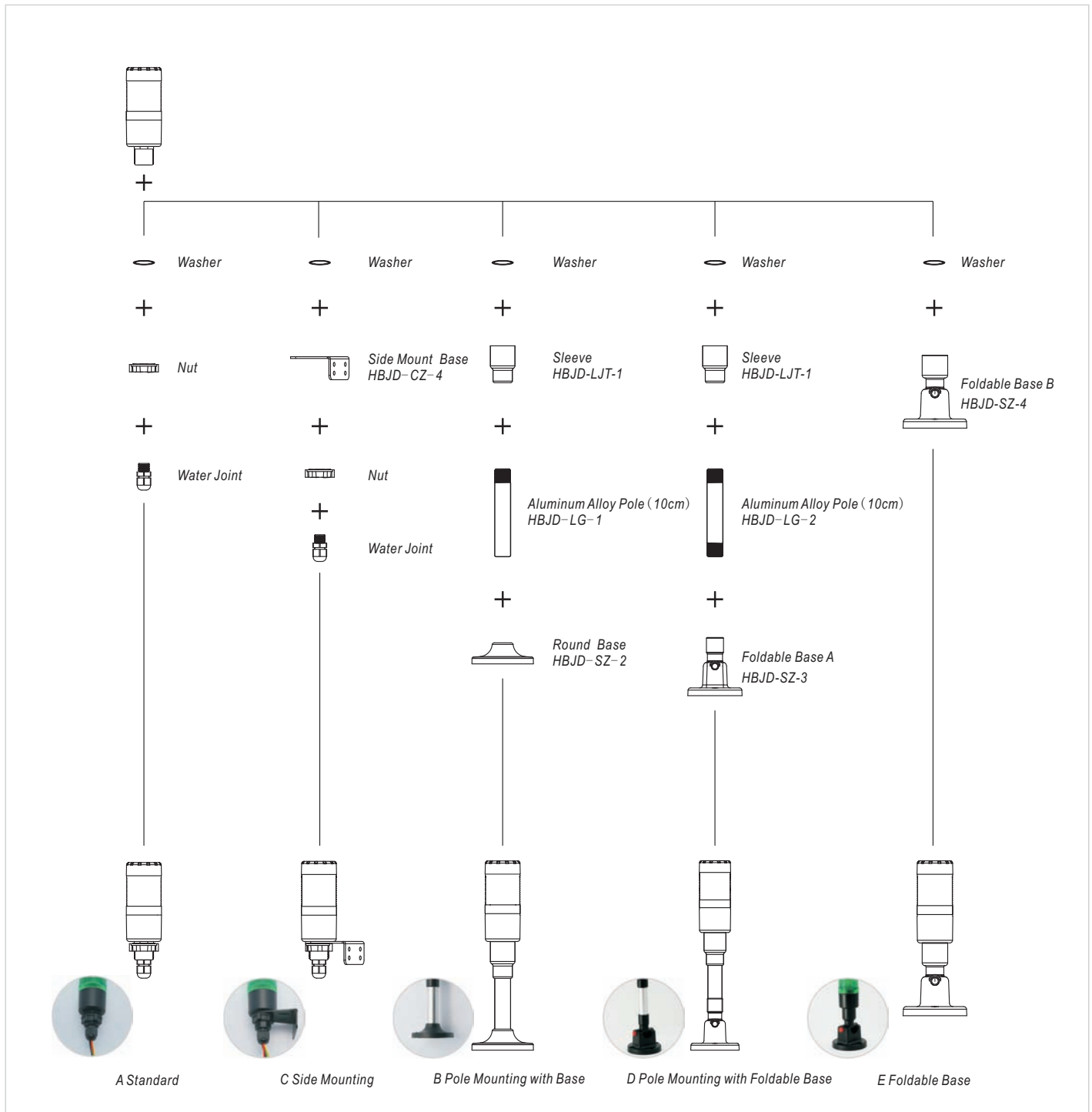
Wiring Diagram



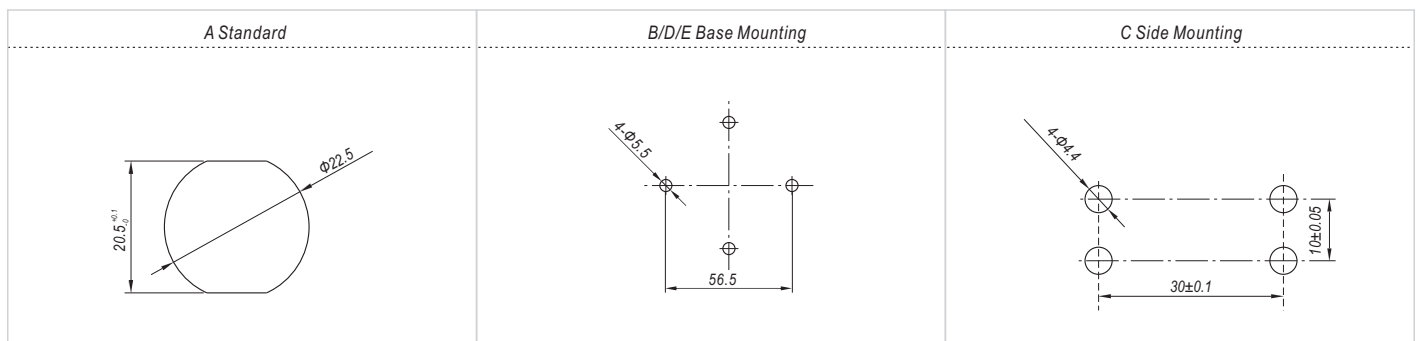
Attention

- Ensure power is turned off before wiring.
- No open fire around this product, operating temperature $\leq 55^{\circ}\text{C}$.
- Wires must be approved by safety usage standard.
- Base and connecting part assembly must be stable.
- Installation and maintain of this product must be operated by professional.

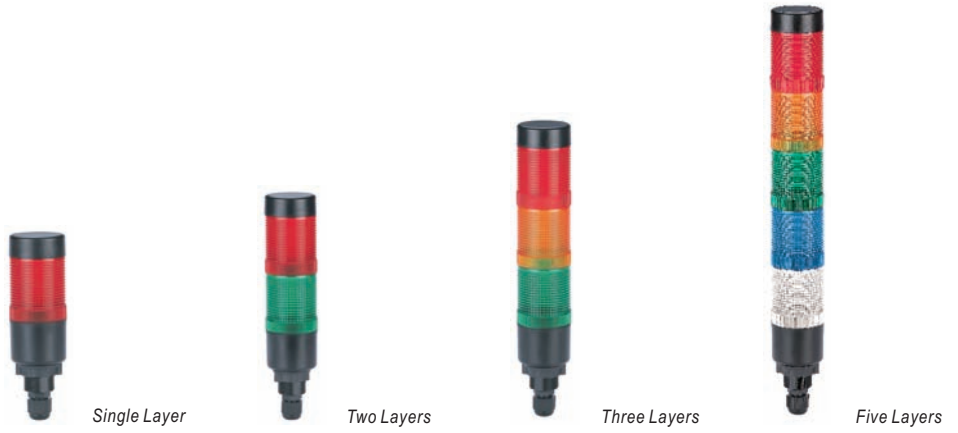
Installation Diagram



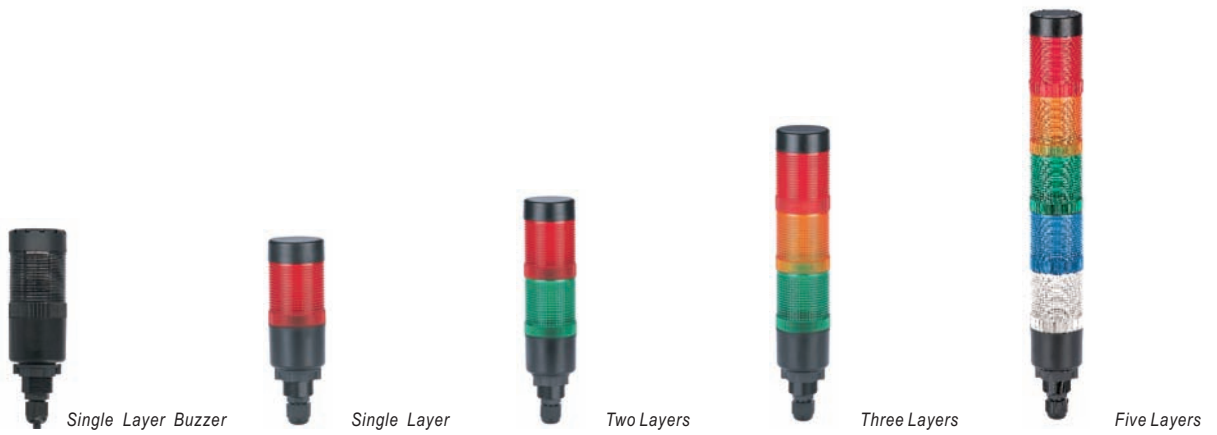
Installation Dimensions



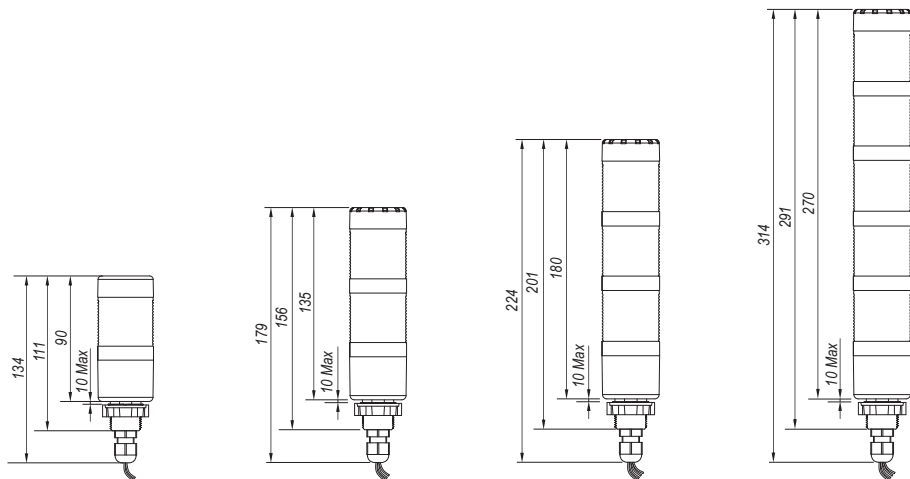
HBJD-40 Series



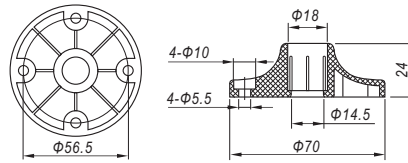
HBJD-40A Series



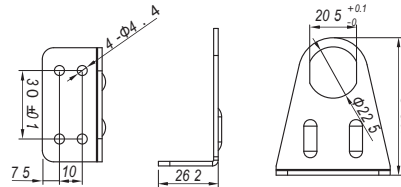
Dimensions



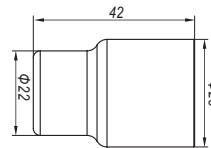
Base
HBJD-SZ-2



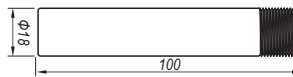
Side Mount Base
HBJD-CZ-4



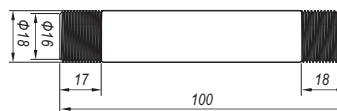
Sleeve
HBJD-LJT-1



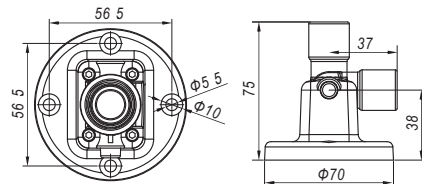
Aluminum Alloy Pole (10cm)
HBJD-LG-1



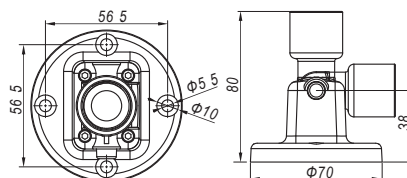
Aluminum Alloy Pole (10cm)
HBJD-LG-2



Foldable Base A
HBJD-SZ-3



Foldable Base B
HBJD-SZ-4



HBJD-55 Part Number Description

HBJD-55 ■ □ / △ / ▲ / ●

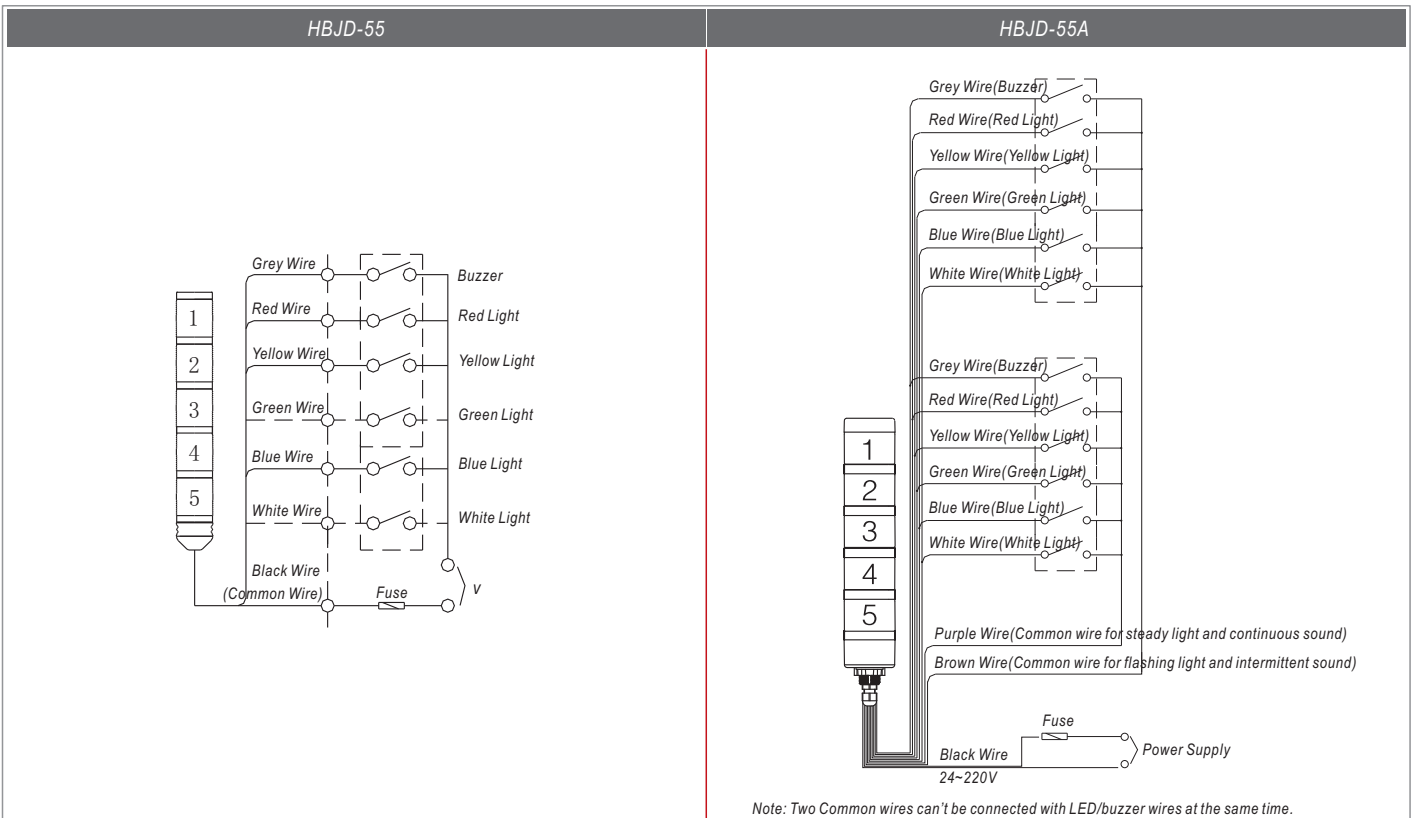
Symbol	Indication	Descriptions
□	Working Status	D: Steady Light / DZA: Steady Light and Continuous Sound / DWA: Steady Light and Intermittent Sound
■	Layer	1: Single Layer / 2: Two Layers / 3: Three Layers / 5: Five Layers
△	Color	R: Red / G: Green / Y: Yellow / B: Blue / W: White For multilayers, specify illumination color from top to bottom
▲	Voltage	AC/DC24V / AC220V(Customized)
●	Mounting Style	A: Standard / B: Pole Mounting with Base / C: Side Mounting / D: Pole Mounting with Foldable Base / E: Foldable Base

HBJD-55A Part Number Description

HBJD-55A ■ □ / △ / ▲ / ●

Symbol	Indication	Descriptions
□	Working Status	D: Steady / Flashing Light / DB: Steady / Flashing Light+Continuous / Intermittent Sound / B: Continuous / Intermittent Sound
■	Layer	1: Single Layer / 2: Two Layers / 3: Three Layers / 5: Five Layers
△	Color	R: Red / G: Green / Y: Yellow / B: Blue / W: White For multilayers, specify illumination color from top to bottom
▲	Voltage	24V(Voltage range: 24V~220VAC/DC) / 12VDC(Customized)
●	Mounting Style	A: Standard / B: Pole Mounting with Base / C: Side Mounting / D: Pole Mounting with Foldable Base / E: Foldable Base

Wiring Diagram

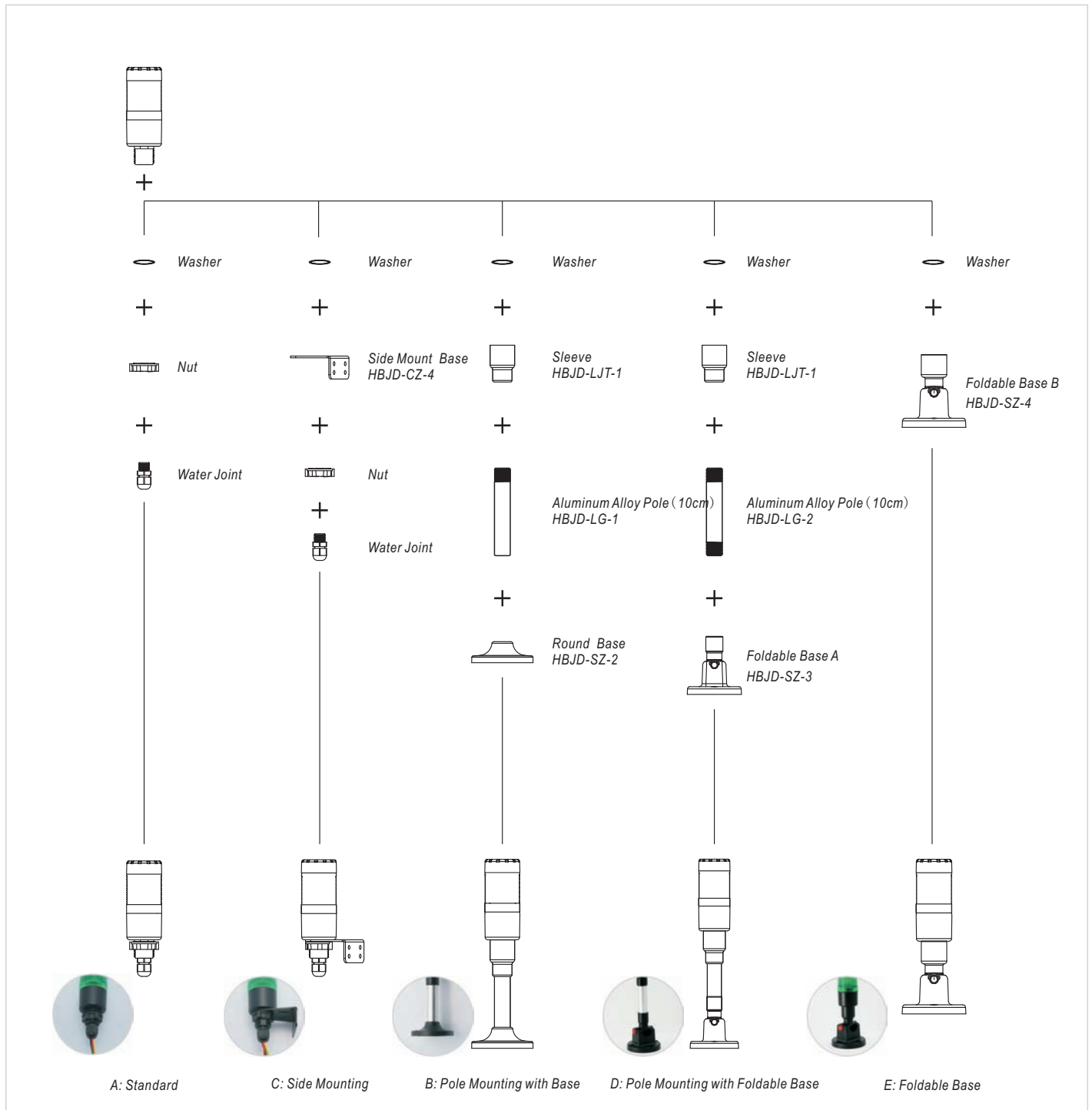


Note: Two Common wires can't be connected with LED/buzzer wires at the same time.

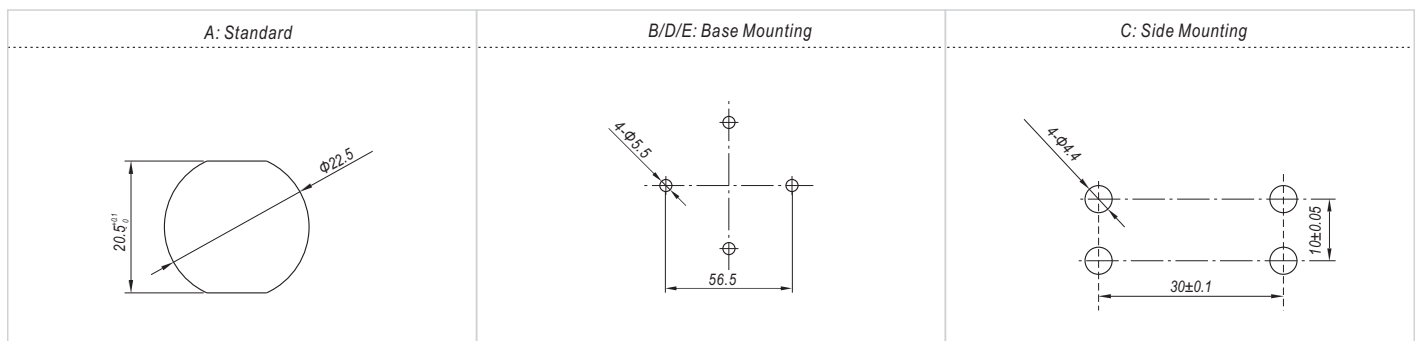
Attention

- Ensure power is turned off before wiring.
- No open fire around this product, operating temperature $\leq 55^{\circ}\text{C}$.
- Wires must be approved by safety usage standard.
- Base and connecting part assembly must be stable.
- Installation and maintain of this product must be operated by professional.

Installation Diagram



Installation Dimensions



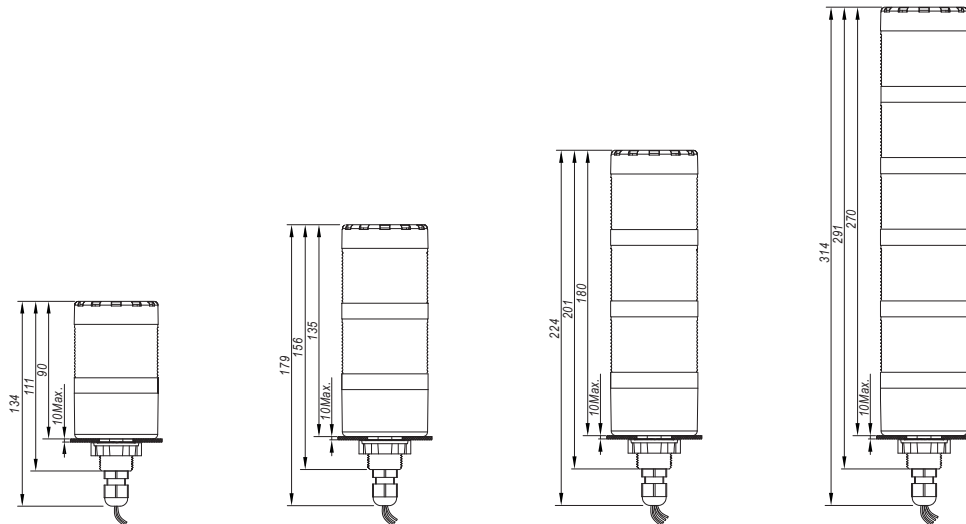
HBJD-55 Series



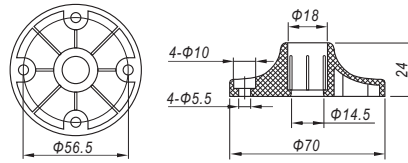
HBJD-55A Series



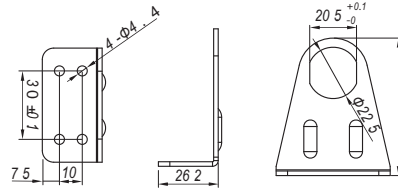
Dimensions



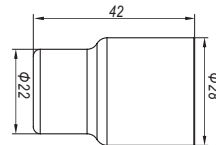
Base
HBJD-SZ-2



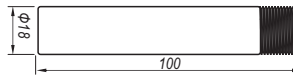
Side Mount Base
HBJD-CZ-4



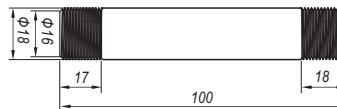
Sleeve
HBJD-LJT-1



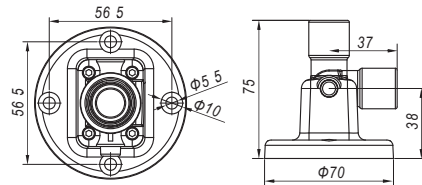
Aluminum Alloy Pole(10cm)
HBJD-LG-1



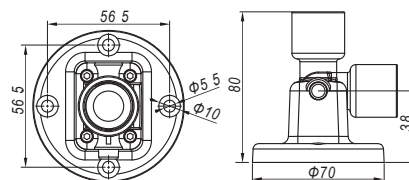
Aluminum Alloy Pole(10cm)
HBJD-LG-2



Foldable Base A
HBJD-SZ-3



Foldable Base B
HBJD-SZ-4



HBJD-70 Signal Tower Lights HBJD-90 Signal Tower Lights


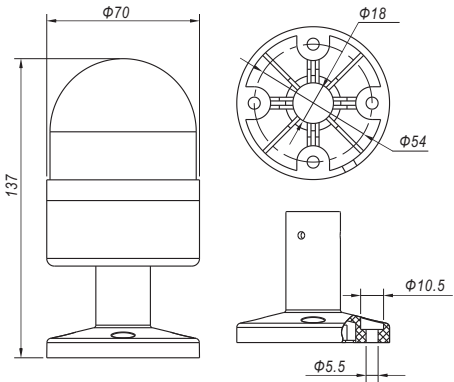

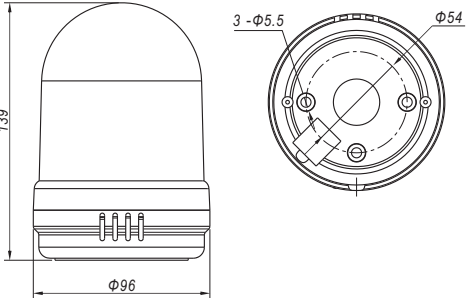
Features

- ⊙ Operating Temperature: -25°C~+55°C
- ⊙ Air Humidity: ≤98%
- ⊙ Altitude: 2000m
- ⊙ Vibration Resistance: 50Hz amplitude about 1.2mm
- ⊙ LED Life: 40000hours LED(Steady Light)
25000hours(Flashing Light)
- ⊙ Buzzer Volume: 80~90dB, at 1m
- ⊙ Pollution Degree: 3

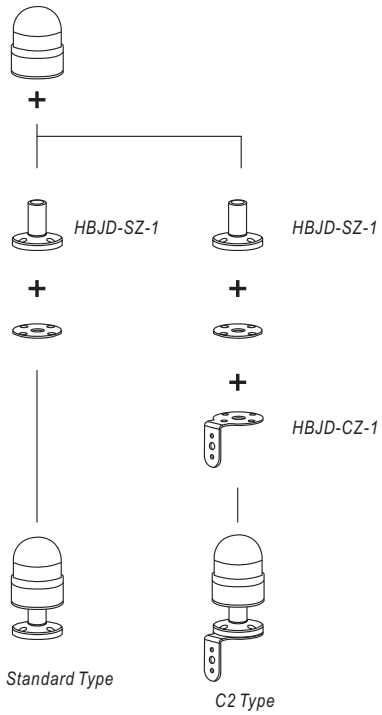
Part Number Description

HBJD	-	★	□	■	/	△	/	▲	/	●
		Size 70: ø70mm 90: ø90mm	Light D: Steady Light S: Flashing Light	Buzzer No letter means no buzzer W: Intermittent Sound Z: Continuous Sound		Color R G Y Other color can be customized		Voltage AC/DC 24V AC 110V (Customized) AC 220V (Customized)		Mounting Style No letter means standard type L: Base Mounting C1: Side Mounting C2: Side Mounting with Base

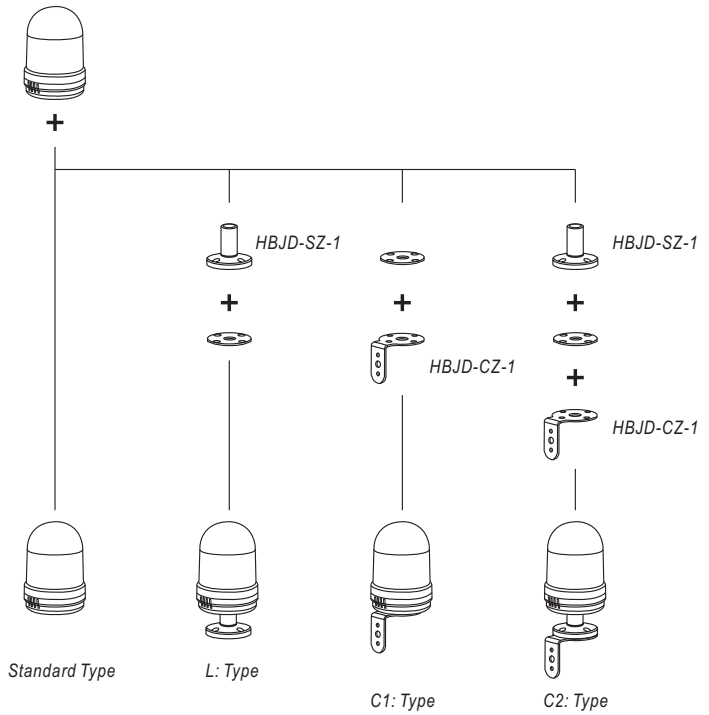
Models

Models	Working Status	Part Number	Dimensions
 Color Options: R G Y	Steady Light	HBJD-70D/△/▲	
	Flashing Light	HBJD-70S/△/▲	
	Steady Light and Continuous Sound	HBJD-70DZ/△/▲	
	Steady Light and Intermittent Sound	HBJD-70DW/△/▲	
	Flashing Light and Intermittent Sound	HBJD-70SW/△/▲	
 Color Options: R G Y	Steady Light	HBJD-90D/△/▲/●	
	Flashing Light	HBJD-90S/△/▲/●	
	Steady Light and Continuous Sound	HBJD-90DZ/△/▲/●	
	Steady Light and Intermittent Sound	HBJD-90DW/△/▲/●	
	Flashing Light and Intermittent Sound	HBJD-90SW/△/▲/●	

HBJD-70 Installation Diagram



HBJD-90 Installation Diagram



Accessories	<p>Base HBJD-SZ-1</p>	<p>Side Mounting HBJD-CZ-1</p>
Dimensions		

Wiring Diagram

P/N	HBJD-70	HBJD-90
Wiring Diagram	<p>Note: Light and buzzer are controlled synchronously.</p>	<p>Note: Blue Wire for LED; Yellow Wire for buzzer; Brown: Common Wire.</p>