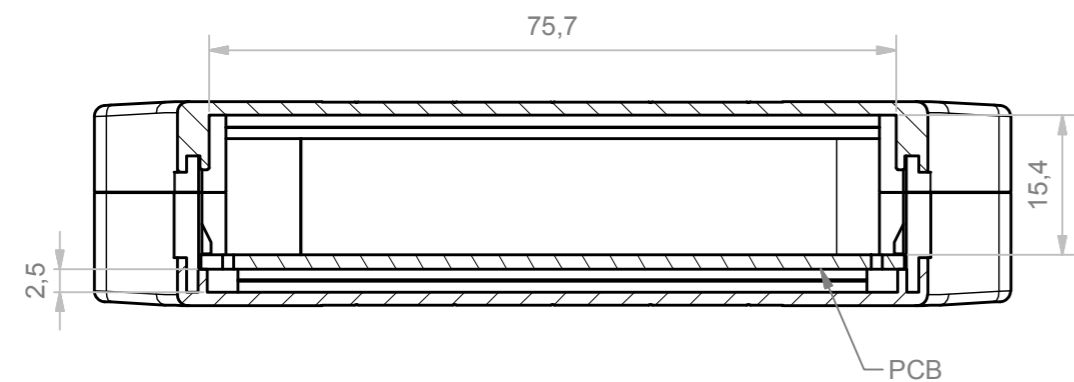
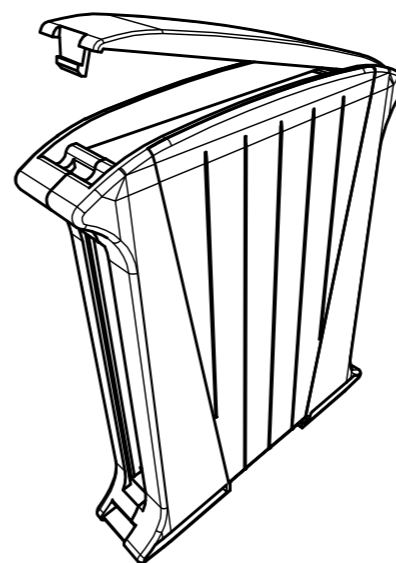
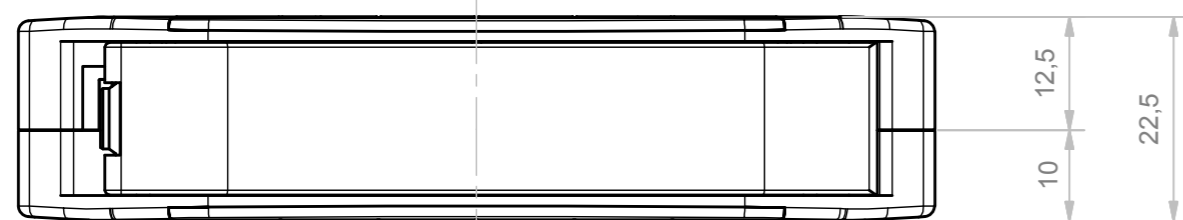
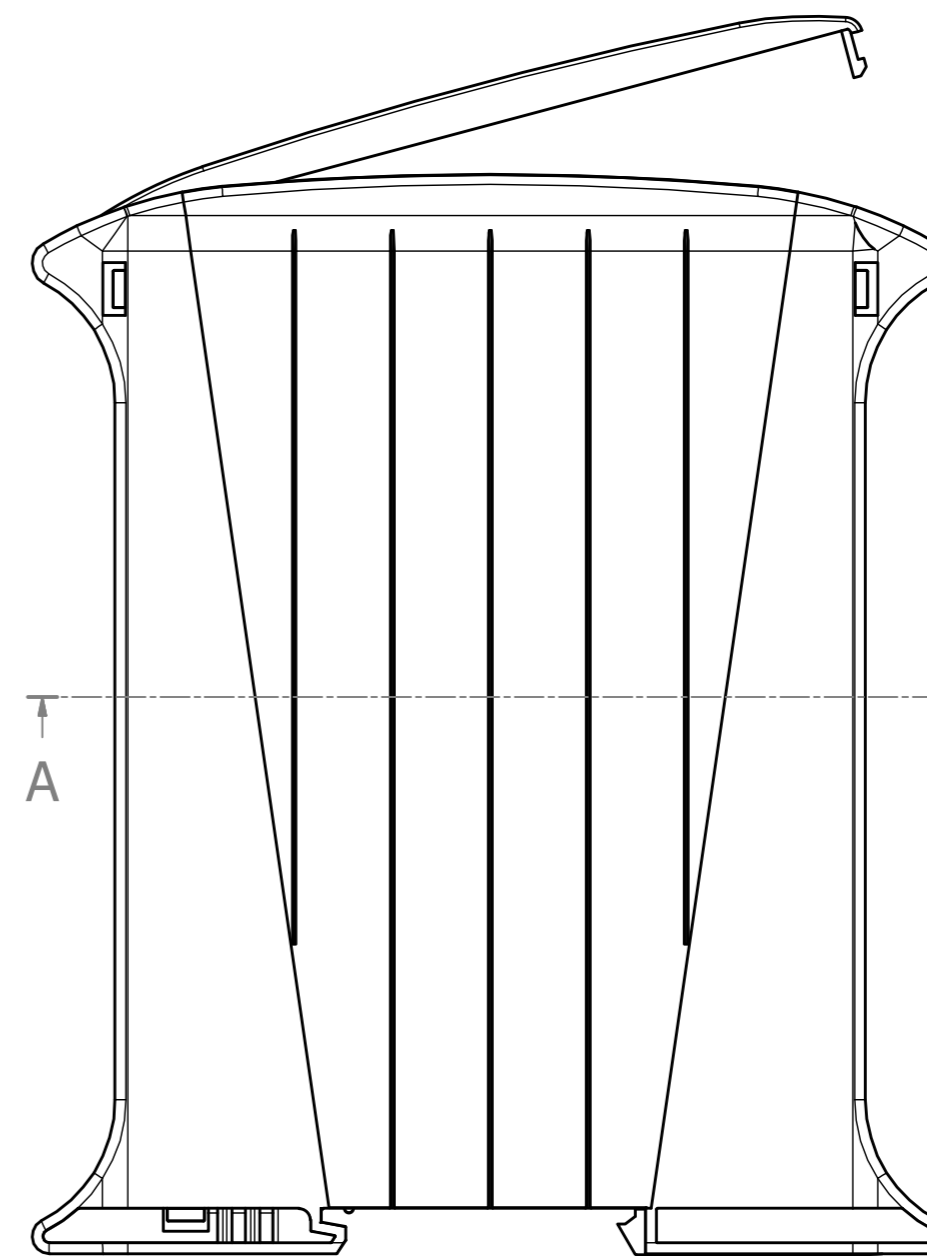
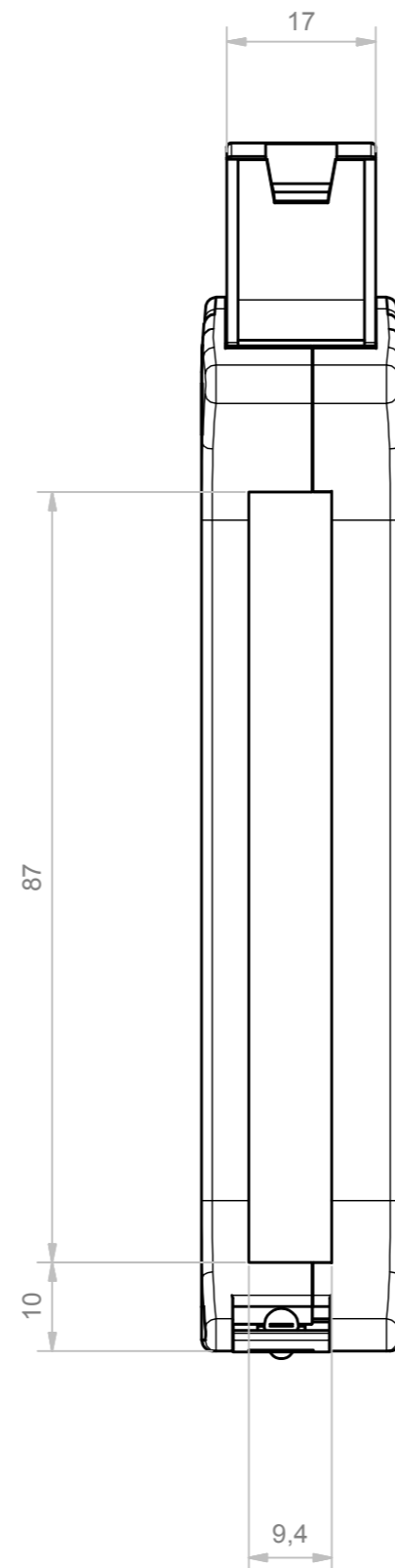
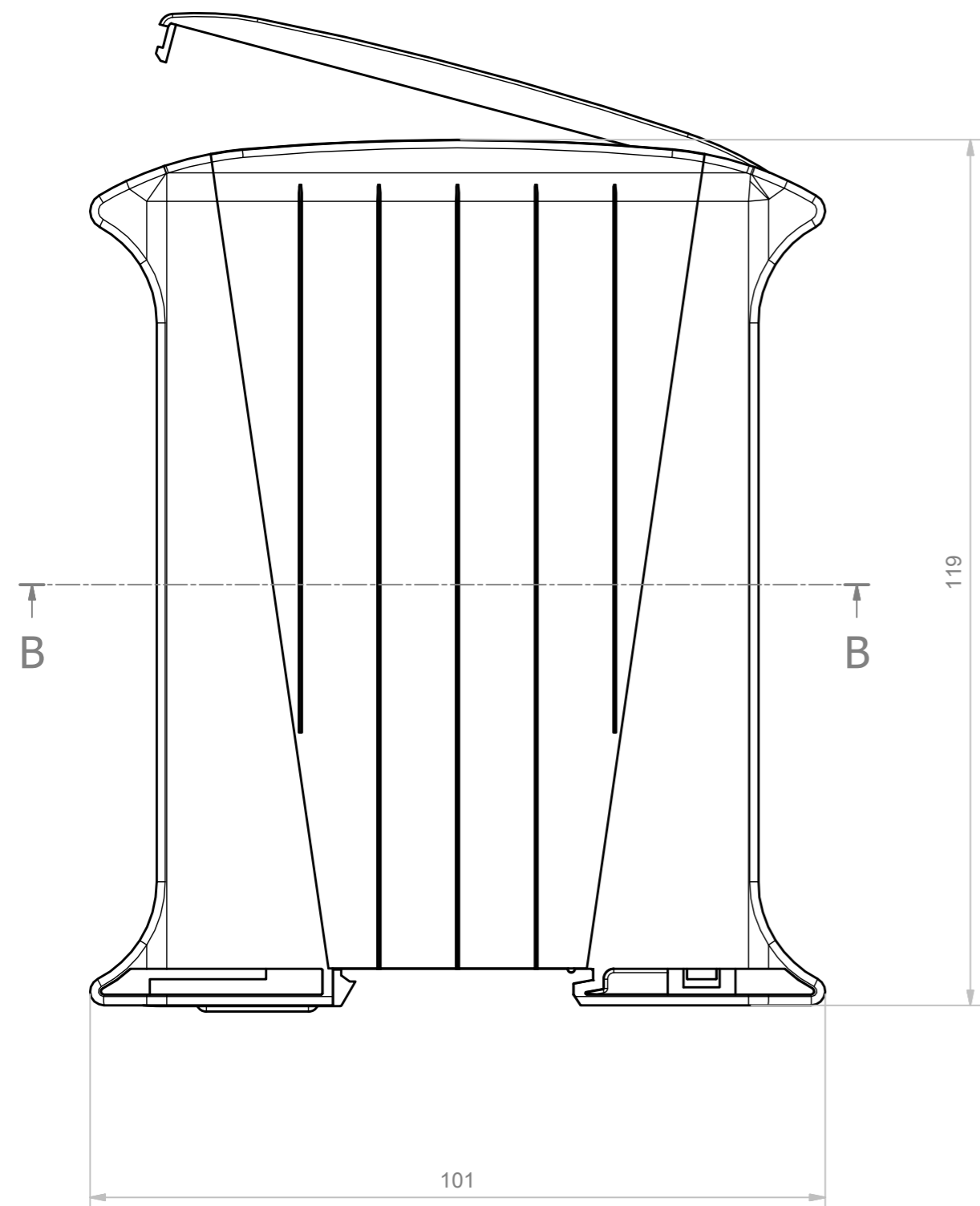
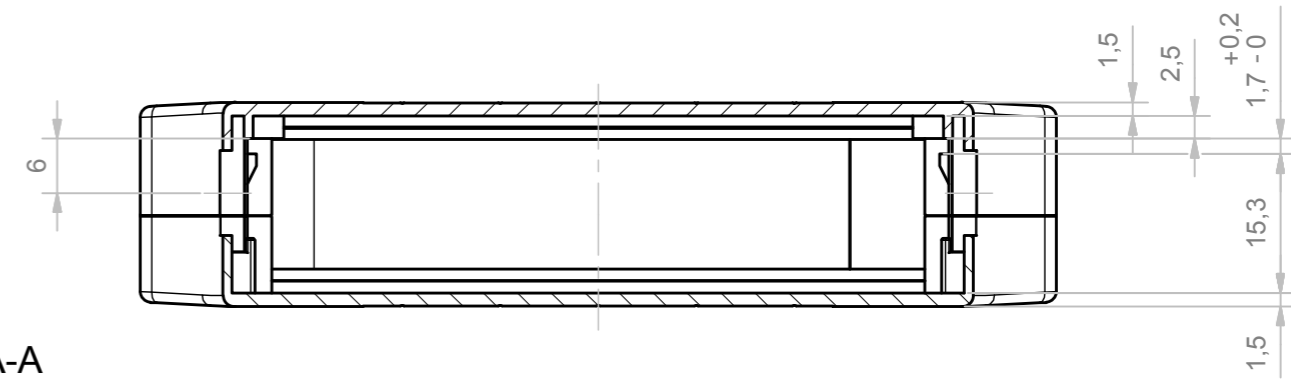


B-B



A-A



RIF.	Q.TY	DESCRIPTION	CODE
1	1	MOLLA - SPRING	P10000000M
2	1	RED HOOK RAILBOX	R-00249
3	1	BASE RAILBOX 12.5 mm	R-03427
4	1	FRONT HINGED 17mm	R-00166
5	1	COVER RAILBOX 10 mm	R-03489

Da 0,5 a 3	Oltre 3 fino a 6	Oltre 6 fino a 30	Oltre 30 fino a 120	Oltre 120
± 0,1	± 0,1	± 0,2	± 0,3	± 0,5

RESERVED PROPERTY The present drawing cannot be reproduced or communicated to 3d parties, even partially, without the authorization of ITALTRONIC Srl. Italtronic reserves to protect its own rights according to the law.	Dimension in mm	SHEET NR. 1 / 1	DRAWING BY Manual modification are not allowed	GENERAL TOLERANCE UNI EN 22768/1 Media (m)
	Date: 25/08/2011	Replace nr.	Revision description	5 4 3 2 1
Drawn: Mazzucato F.	Checked: Mazzucato F.	Scale:		

UN PARTNER PER IL FUTURO

Denomination:

Railbox Standard 22.5 mm

Drawing nr.

R-03445-00

ITALTRONIC S.R.L.
 VIA AUSTRIA 25/D 35127
 PADOVA - ITALY
www.italtronic.com