
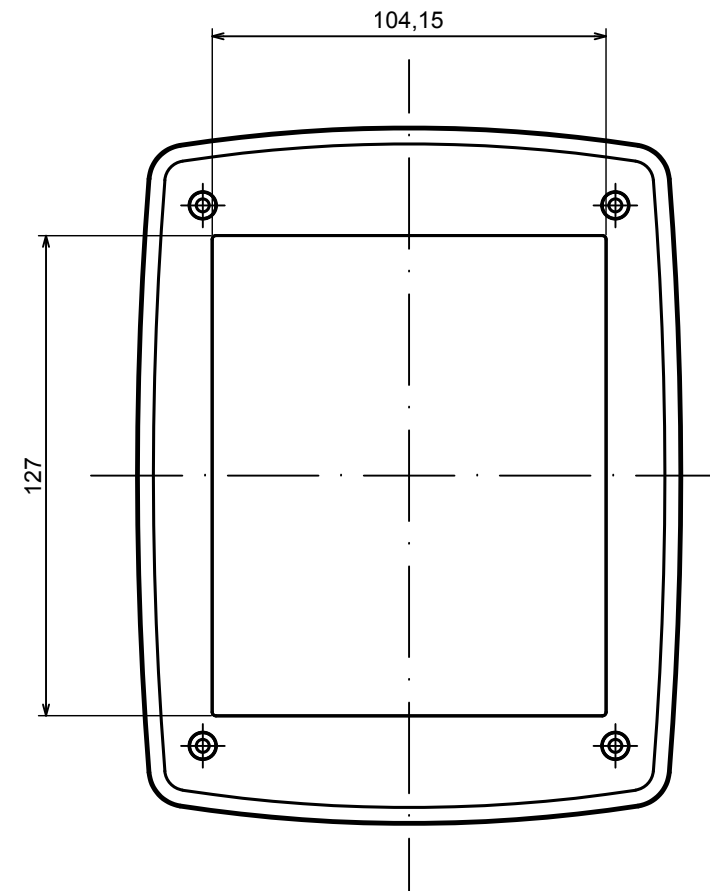
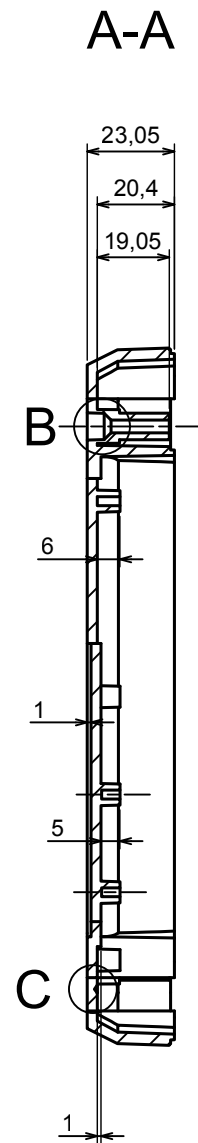
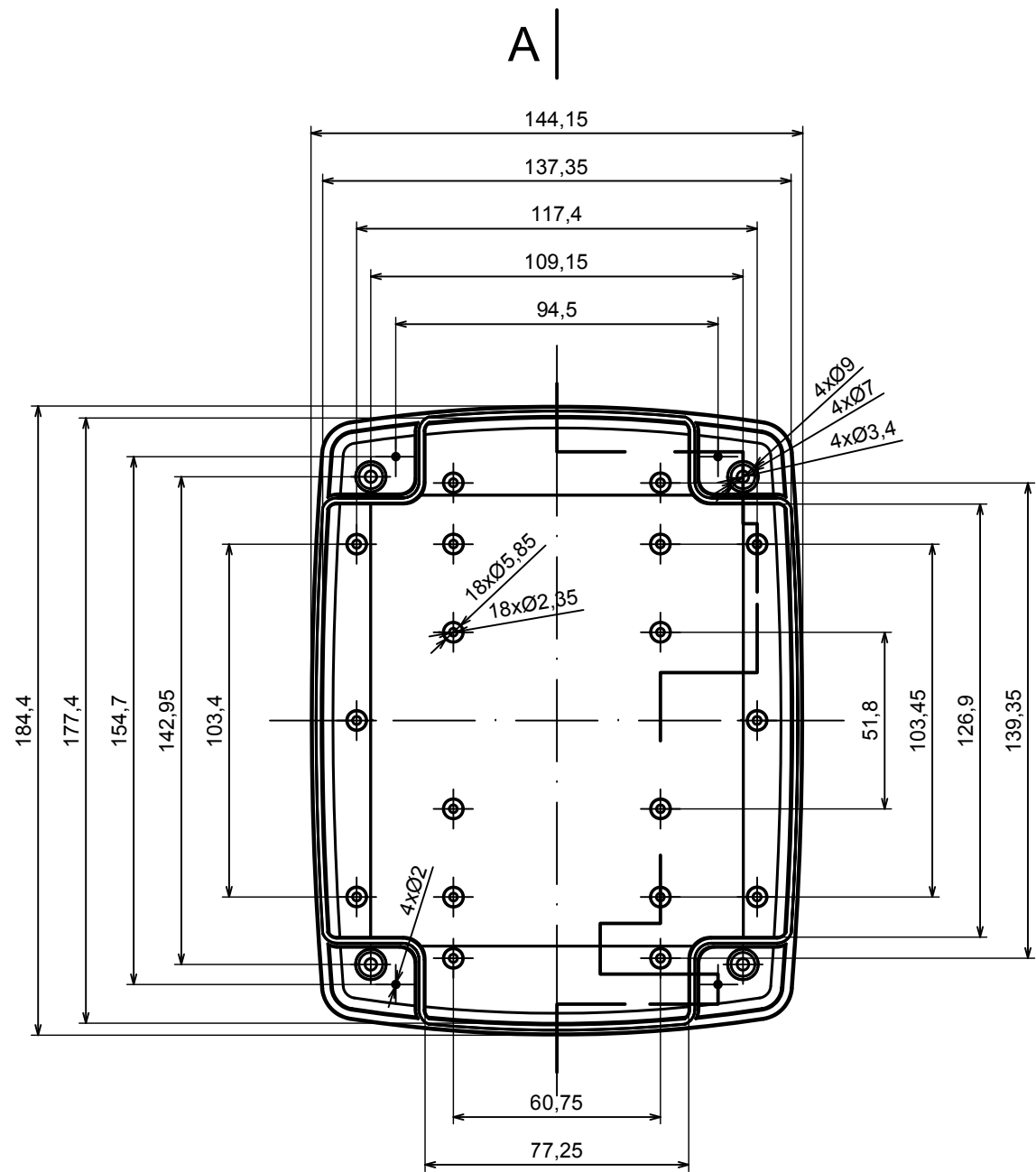
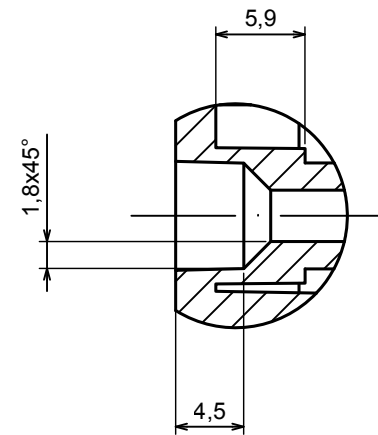
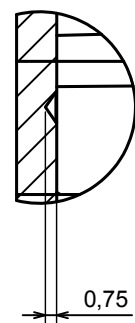



All rights reserved, Copyright Kradox 2017		
Product model	Enclosure Z124 - Assembly	
Format: A3	Material: PS, ABS	
Scale 1:2	Tolerance: +/- 0.5	



B (2:1)

A | C (2:1)



All rights reserved, Copyright Kradox 2017		
Product model	Enclosure Z124 - Base	
Format: A3	Material: PS, ABS	
Scale 1:2	Tolerance: +/- 0.5	

