

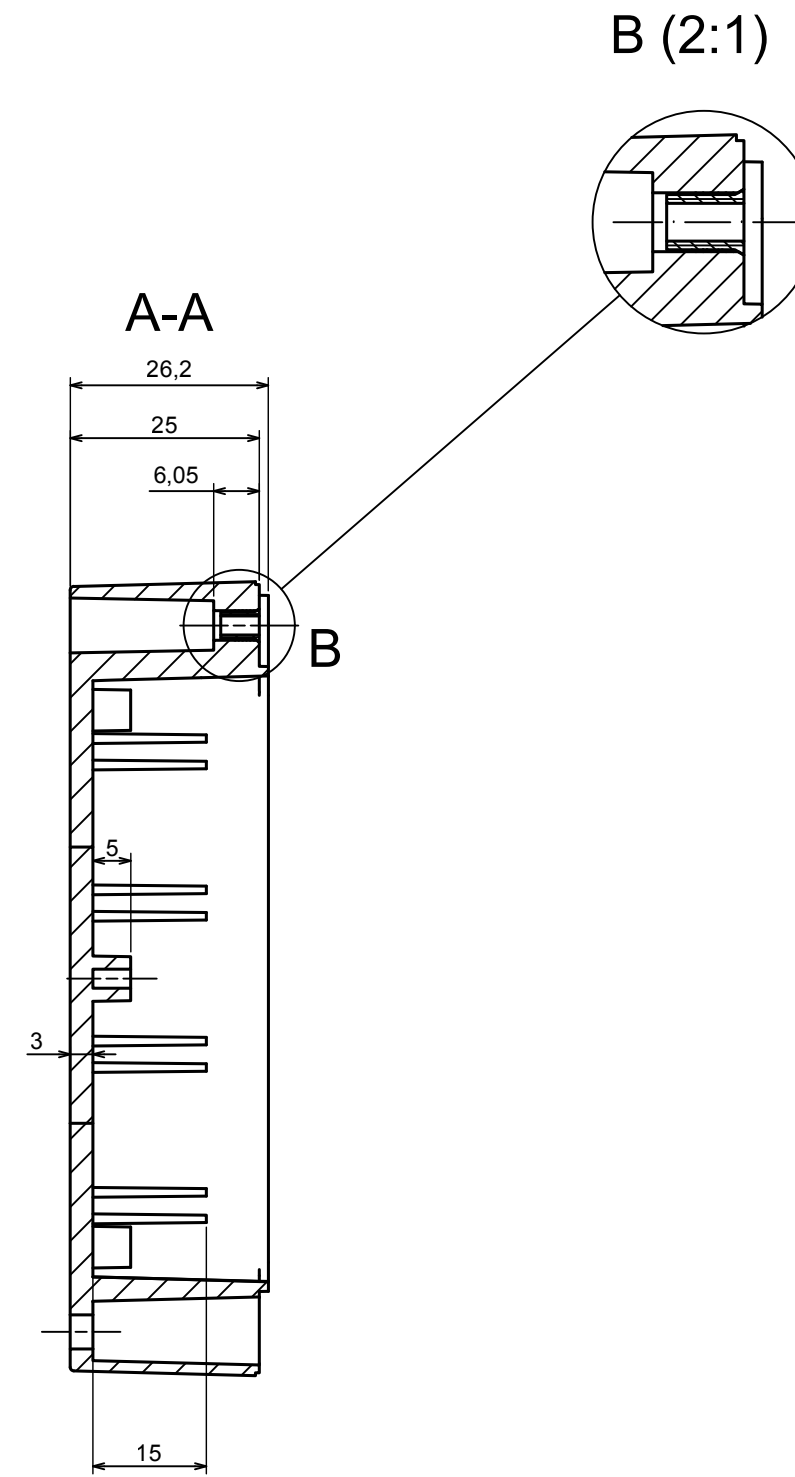
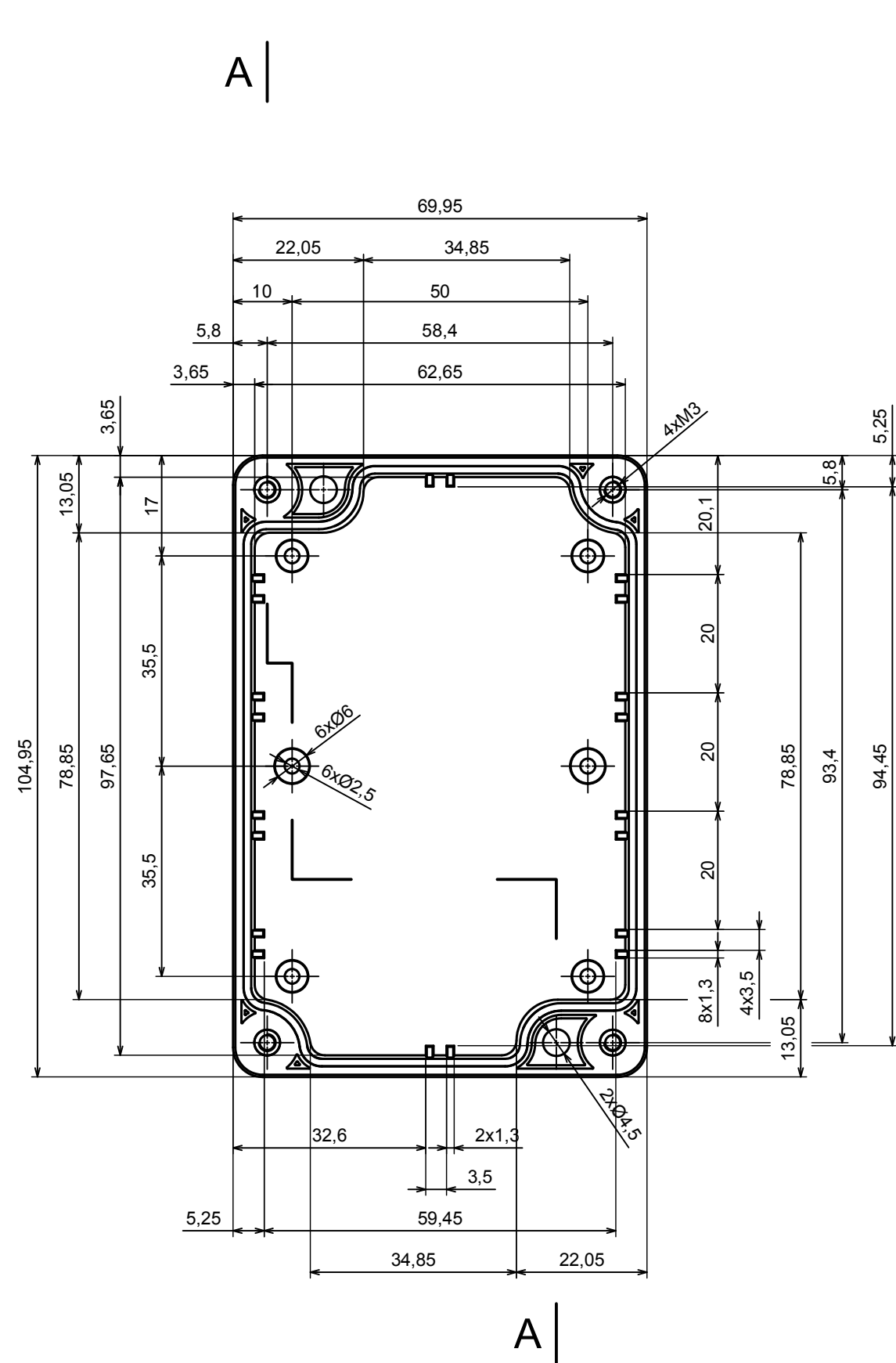
All rights reserved, Copyright Kradox 2018

Product model Enclosure Z128S - Assembly

Format: A3 Material: PC, ABS

Scale 1:1 Tolerance: +/- 0.6





All rights reserved, Copyright Kradox 2018	
Product model	Enclosure Z128S - Base
Format: A3	Material: PC, ABS
Scale 1:1	Tolerance: +/- 0.6



