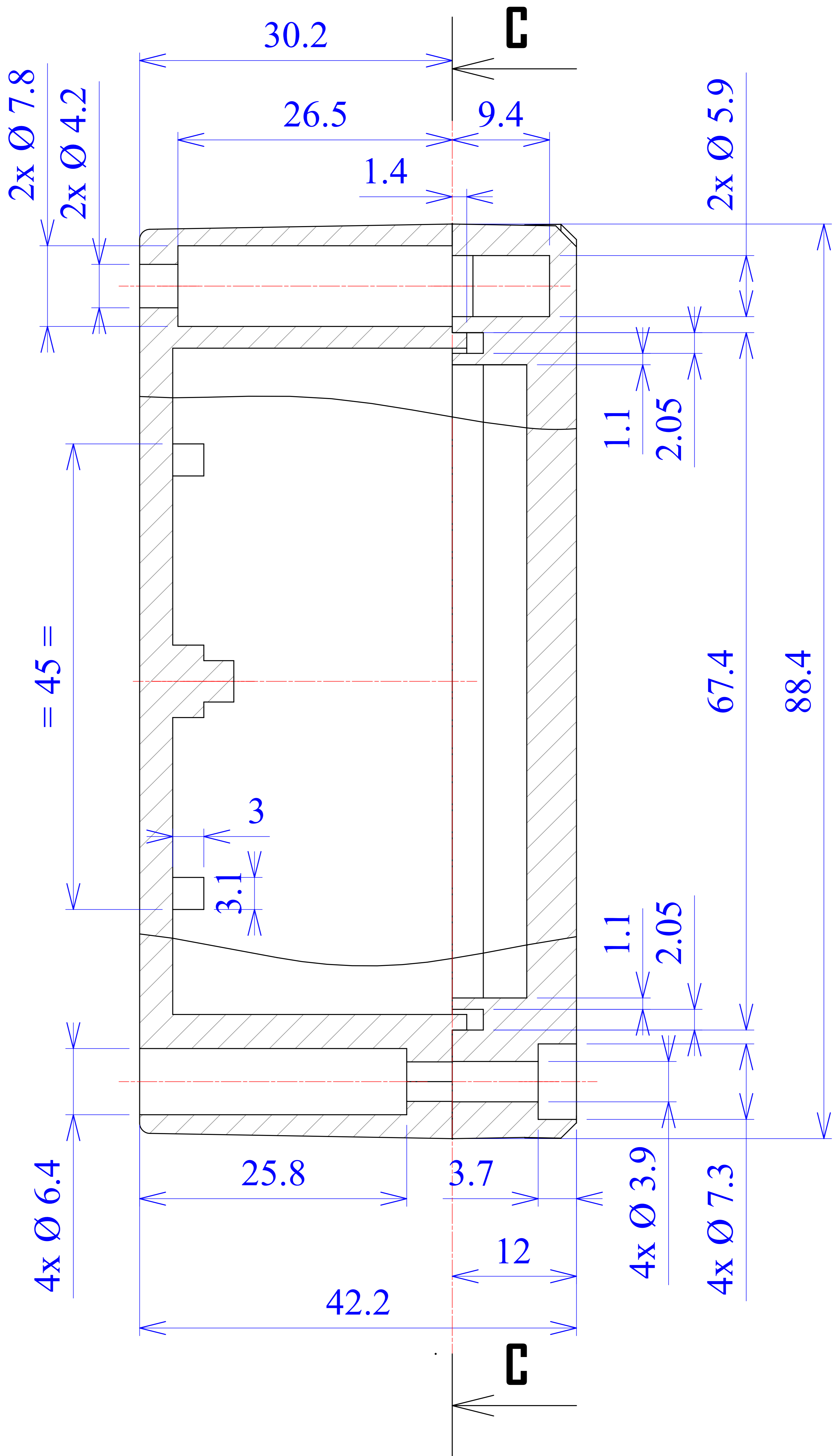
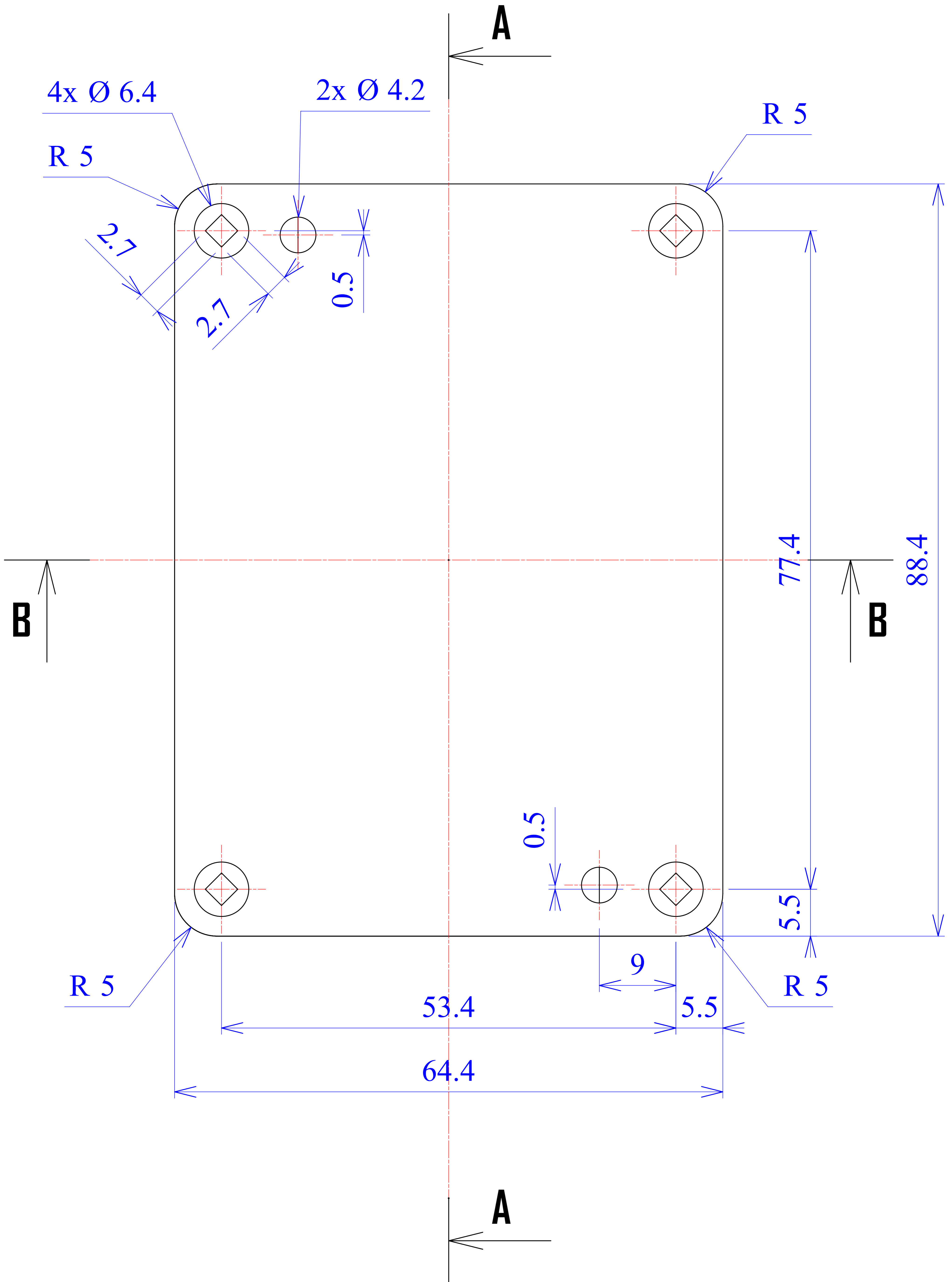
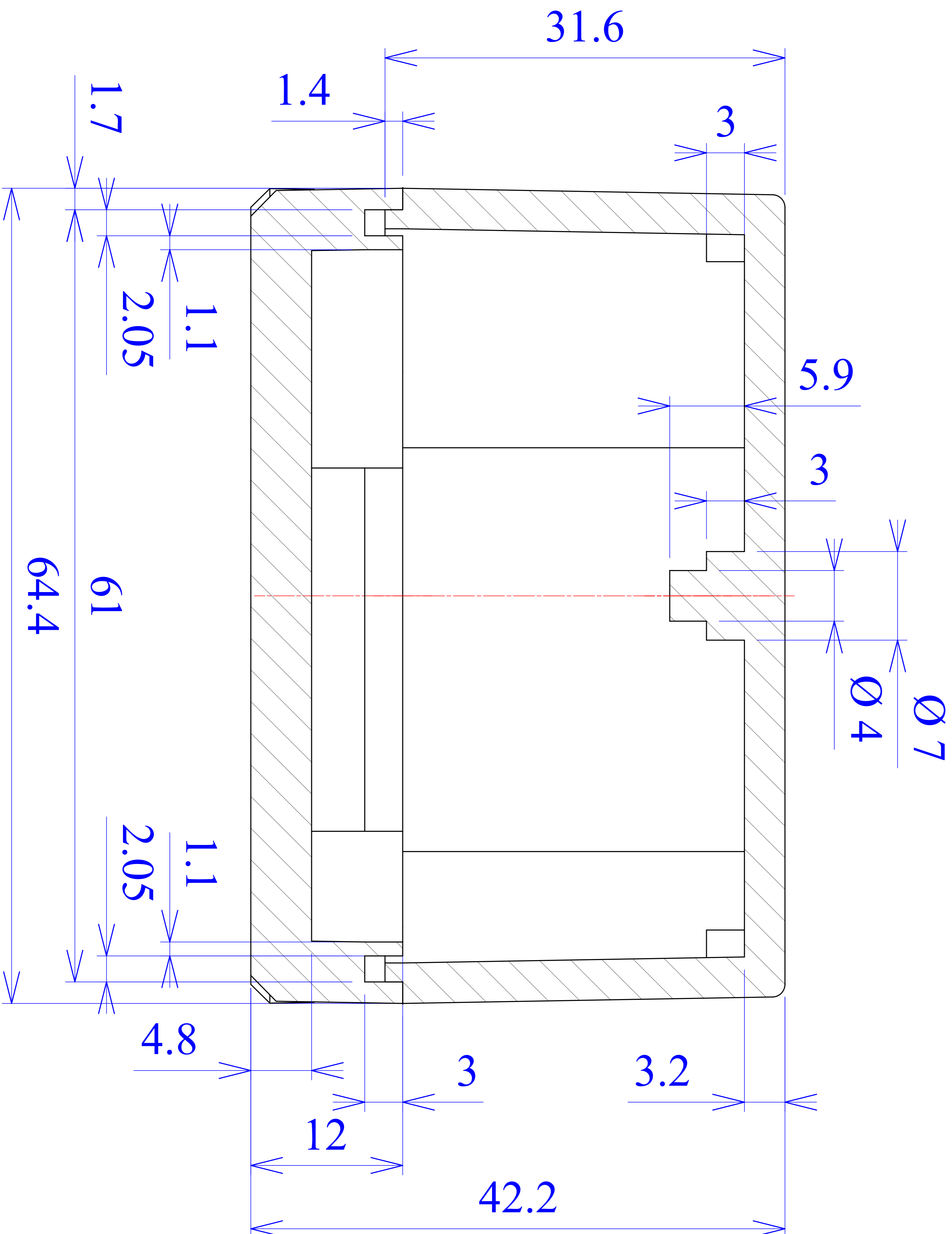


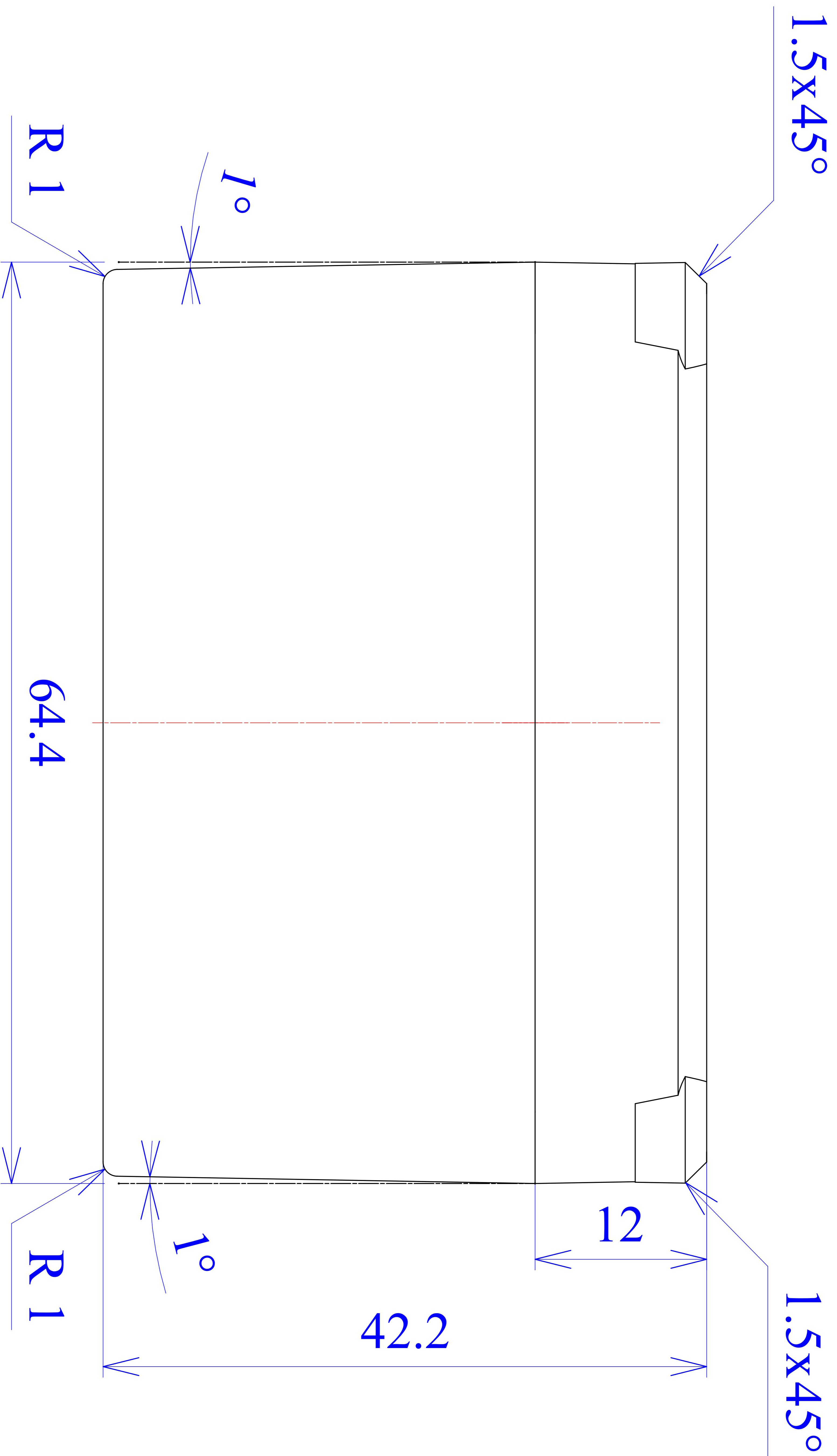
A - A

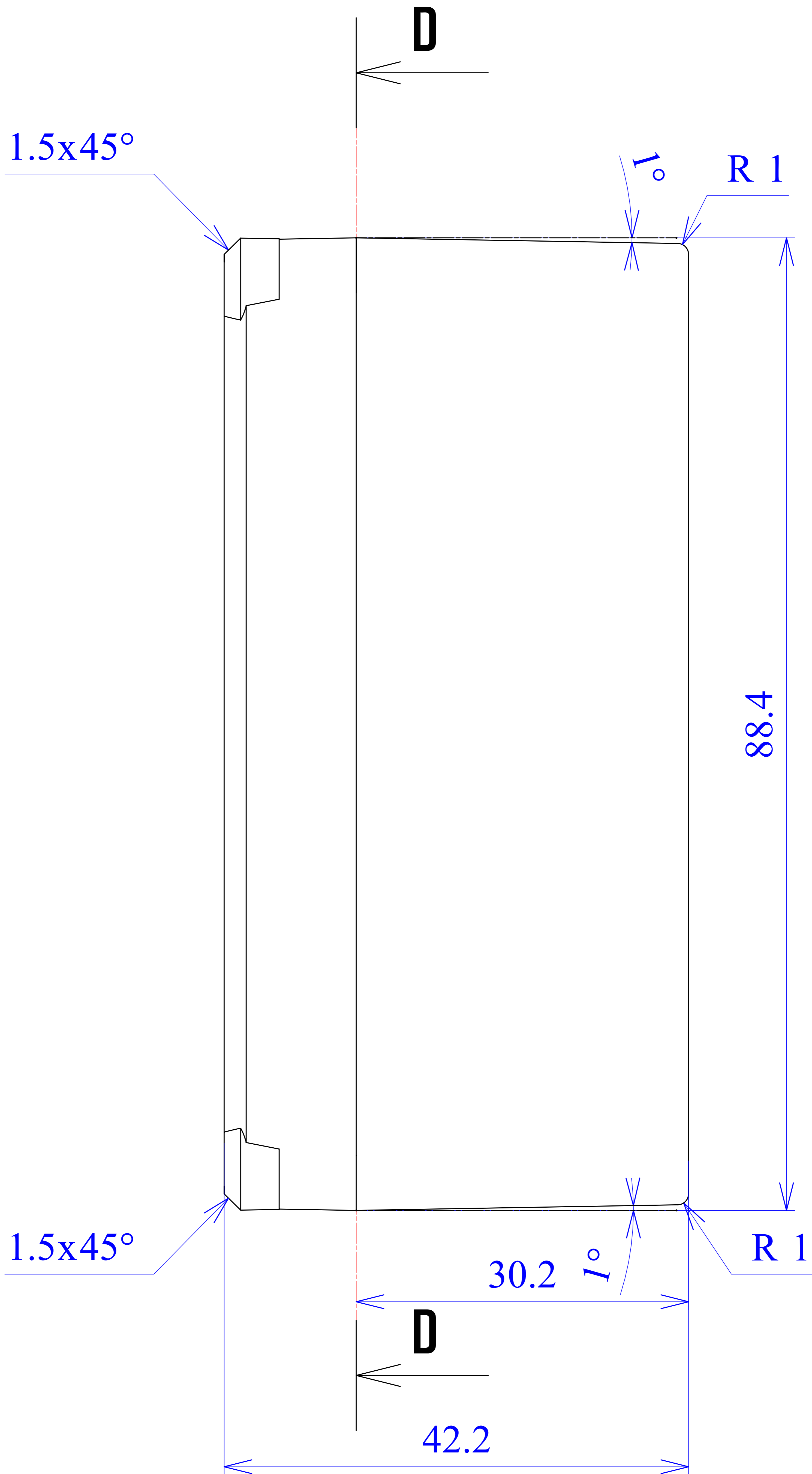




B - B







4x Ø 3.9

4x Ø 7.3

2.7

2.7

77.4

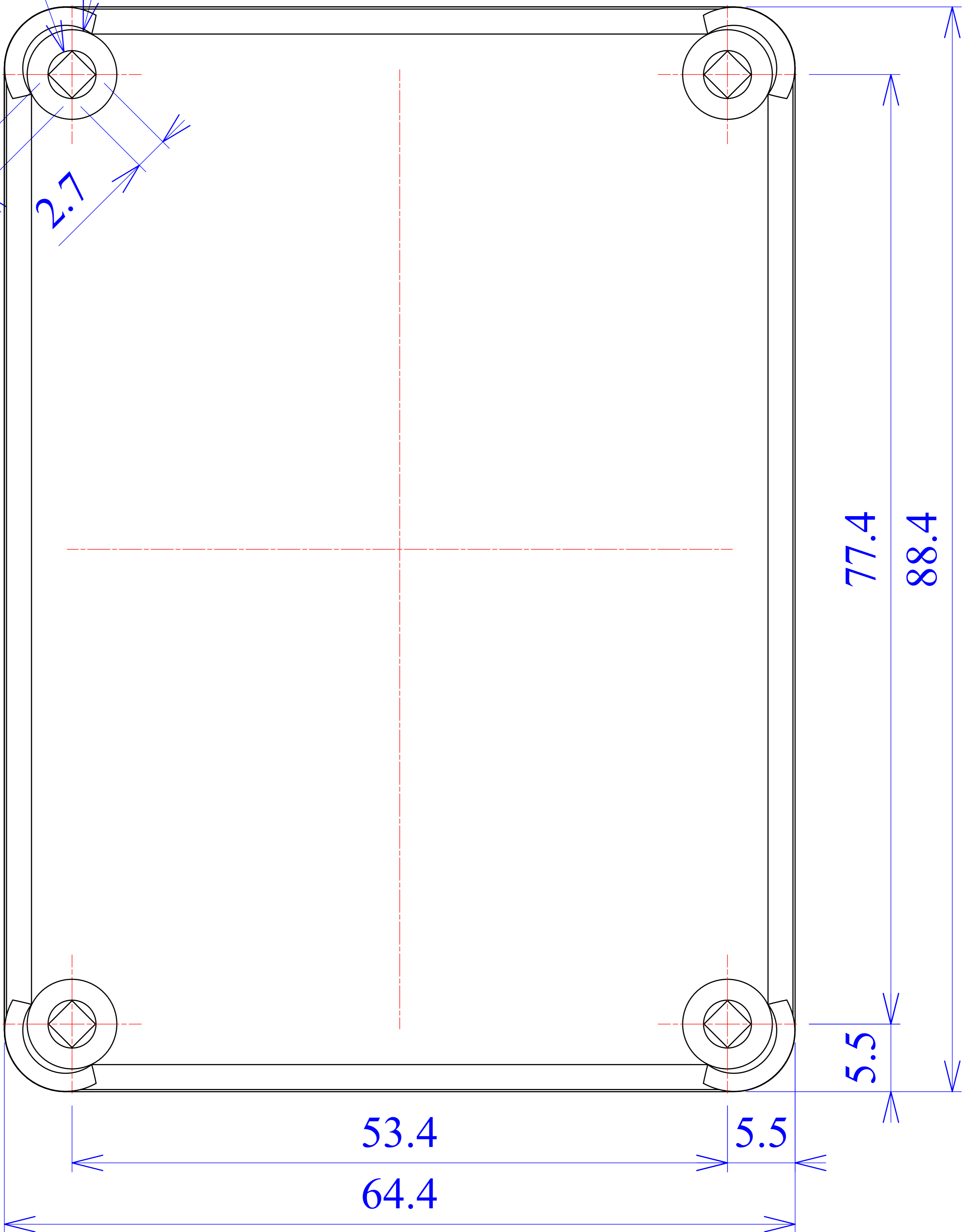
88.4

53.4

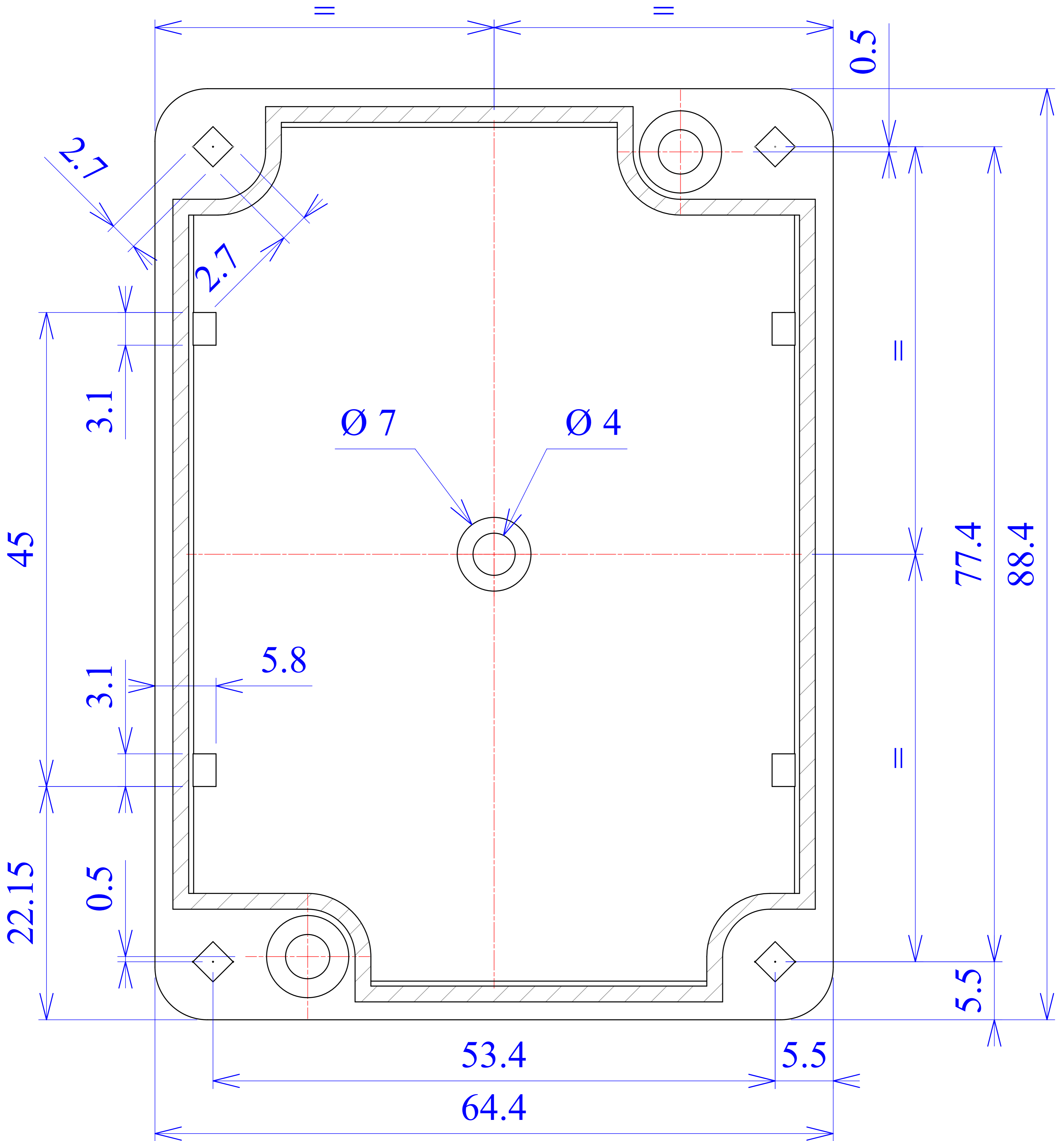
5.5

5.5

64.4



C - C



D - D

