

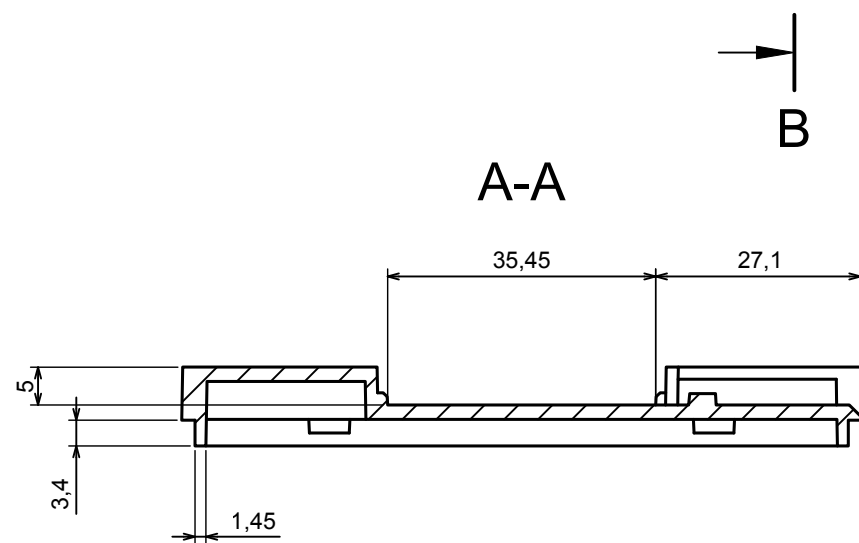
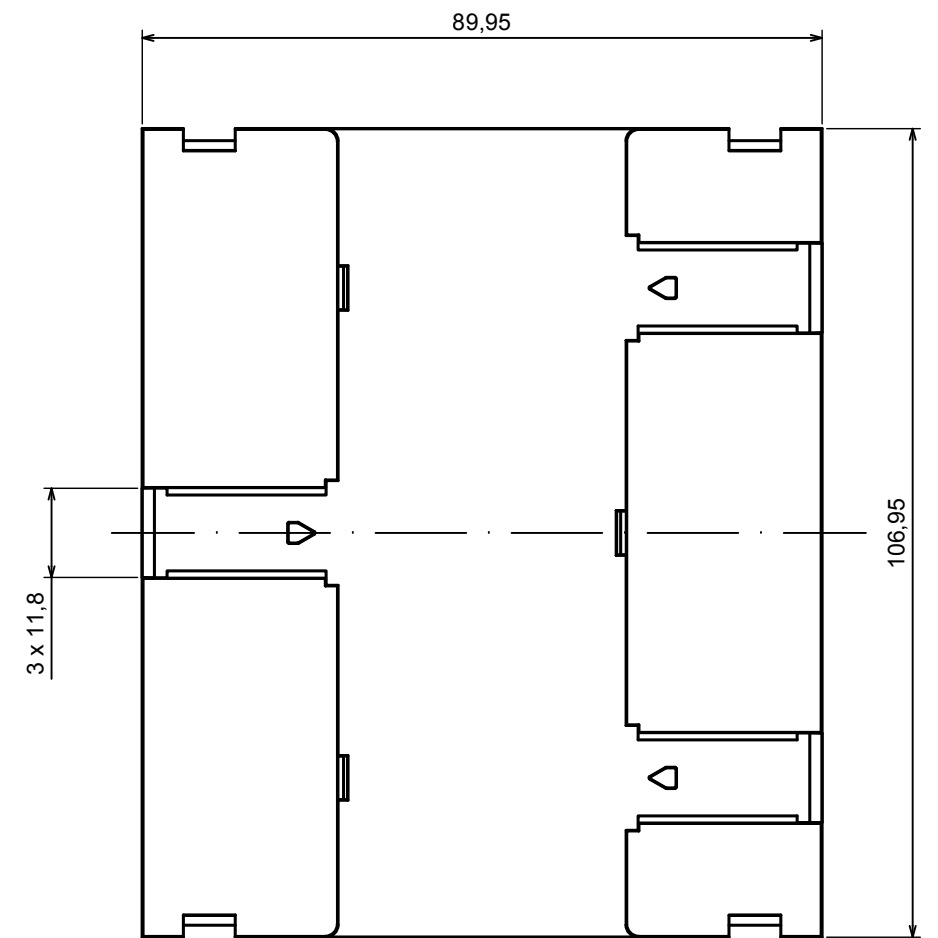
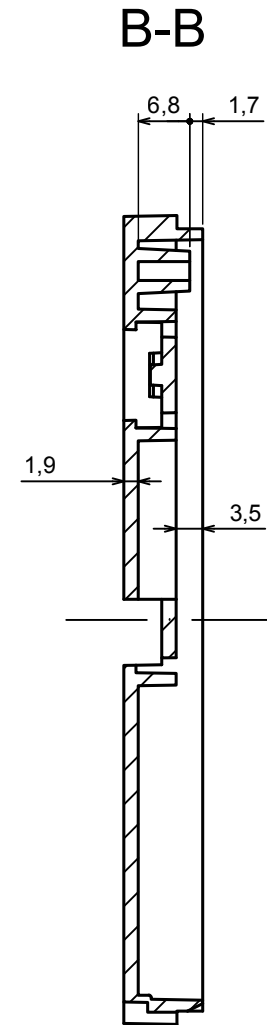
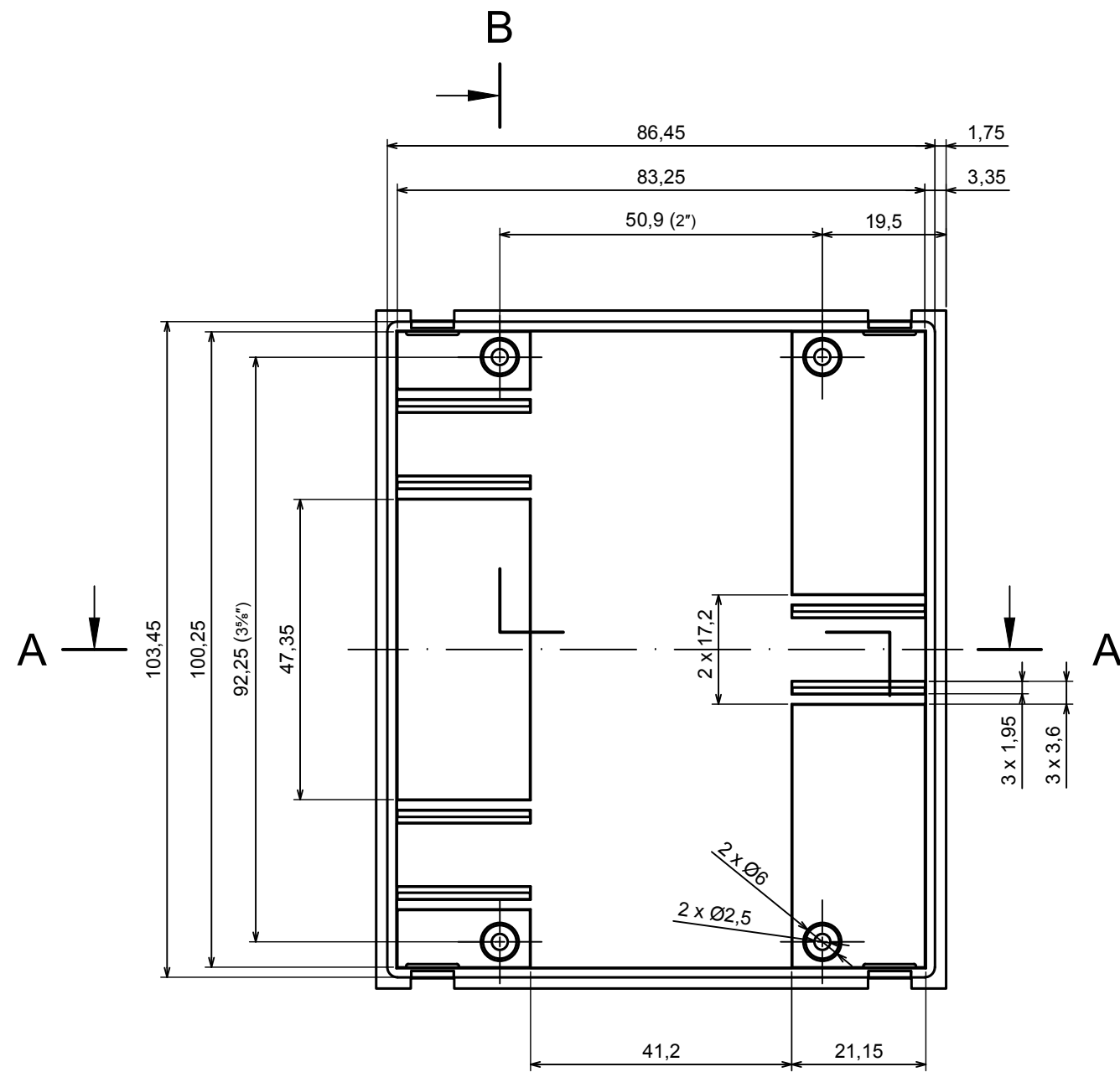
All rights reserved. Copyright Kradex 2019

Product model Enclosure ZD1006 - Assembly

Format: A3 Material: ABS

Scale 1:1 Tolerance: +/- 0,5





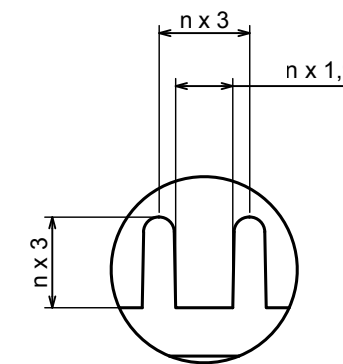
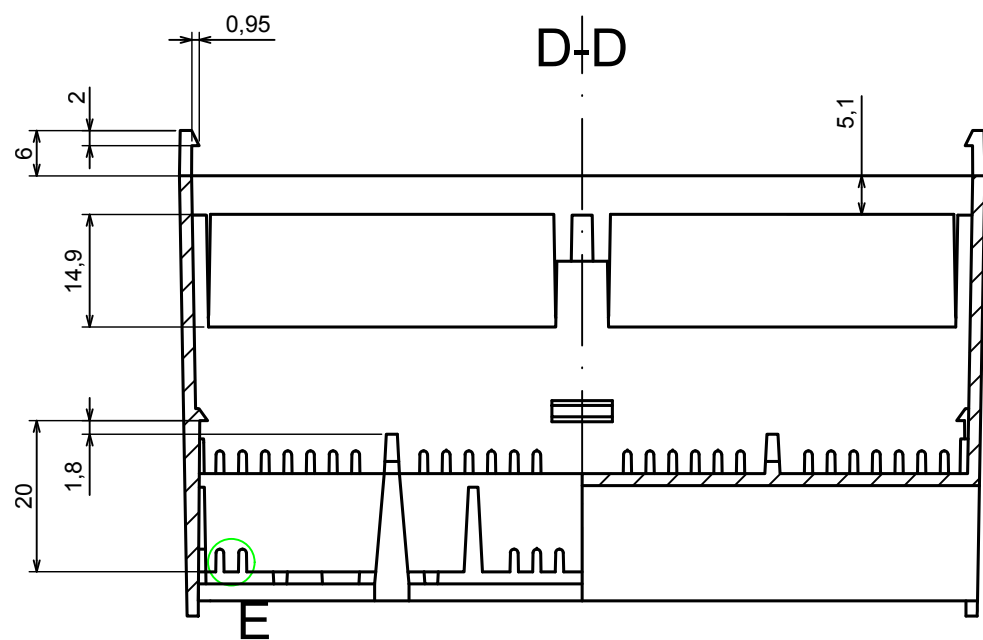
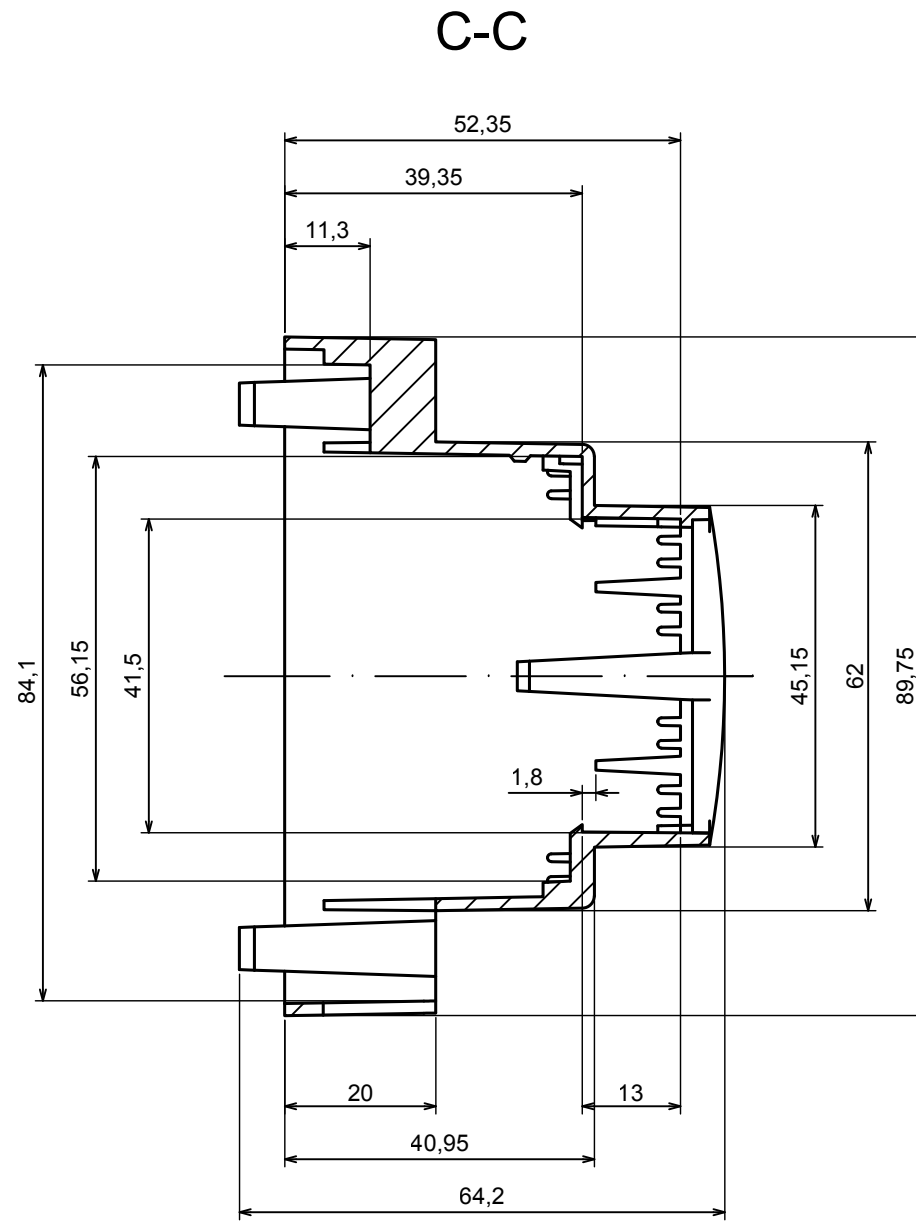
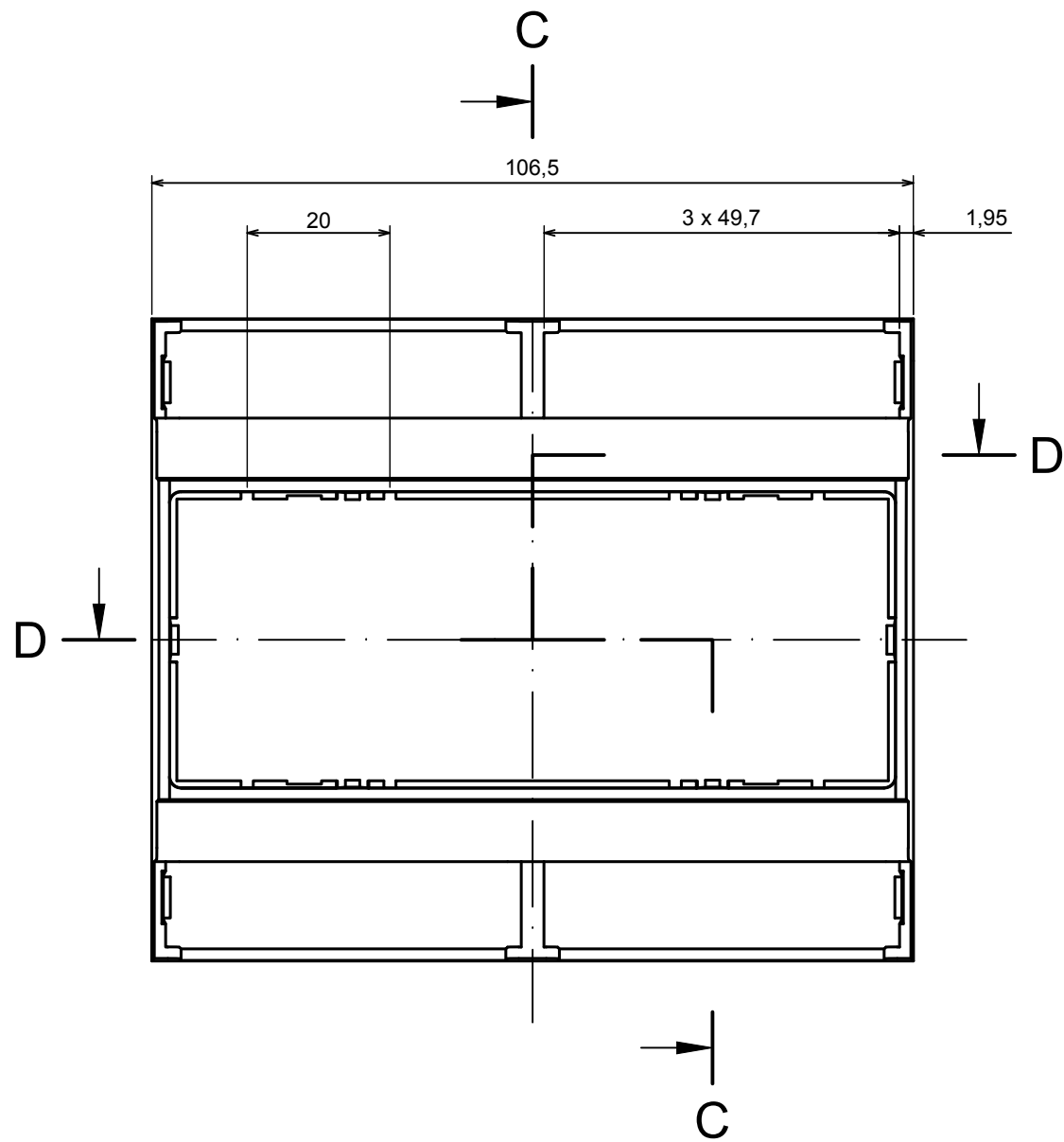
All rights reserved. Copyright Kradox 2019

Product model Enclosure ZD1006 - Base

Format: A3 Material: ABS

Scale 1:1 Tolerance: +/- 0,5





E (4.0000)

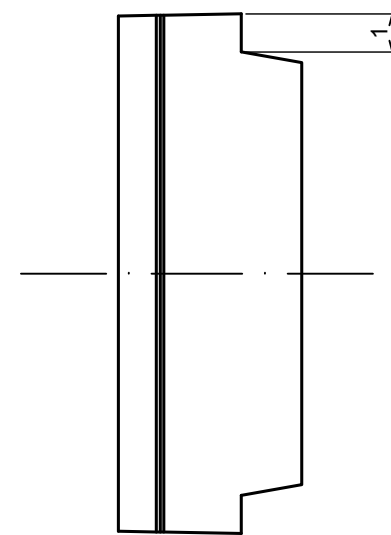
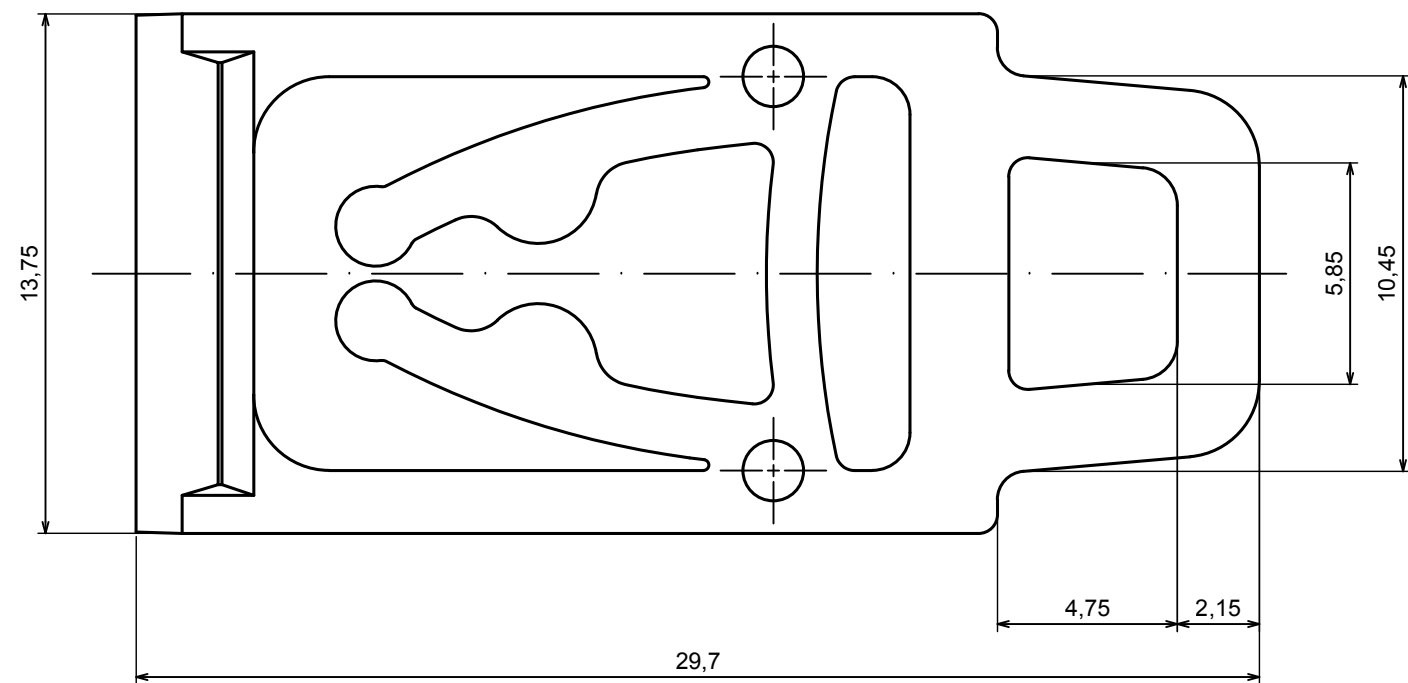
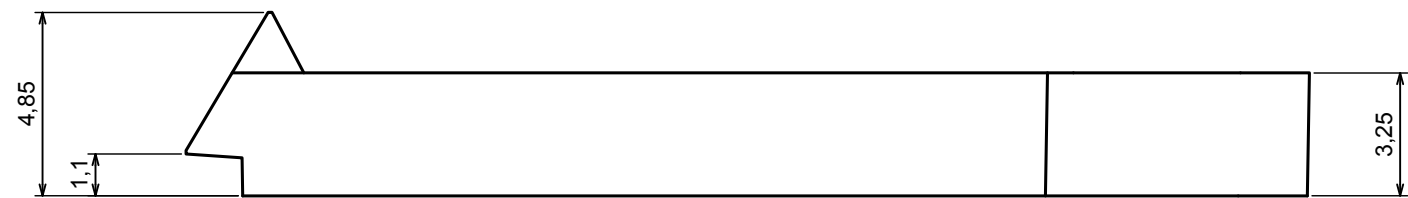
All rights reserved. Copyright Kradox 2019

Product model Enclosure ZD1006 - Cover

Format: A3 Material: ABS

Scale 1:1 Tolerance: +/- 0,3





All rights reserved. Copyright Kradox 2019

Product model Enclosure ZD1006 - Hook

Format: A3 Material: ABS

Scale 5:1 Tolerance: +/- 0,5

