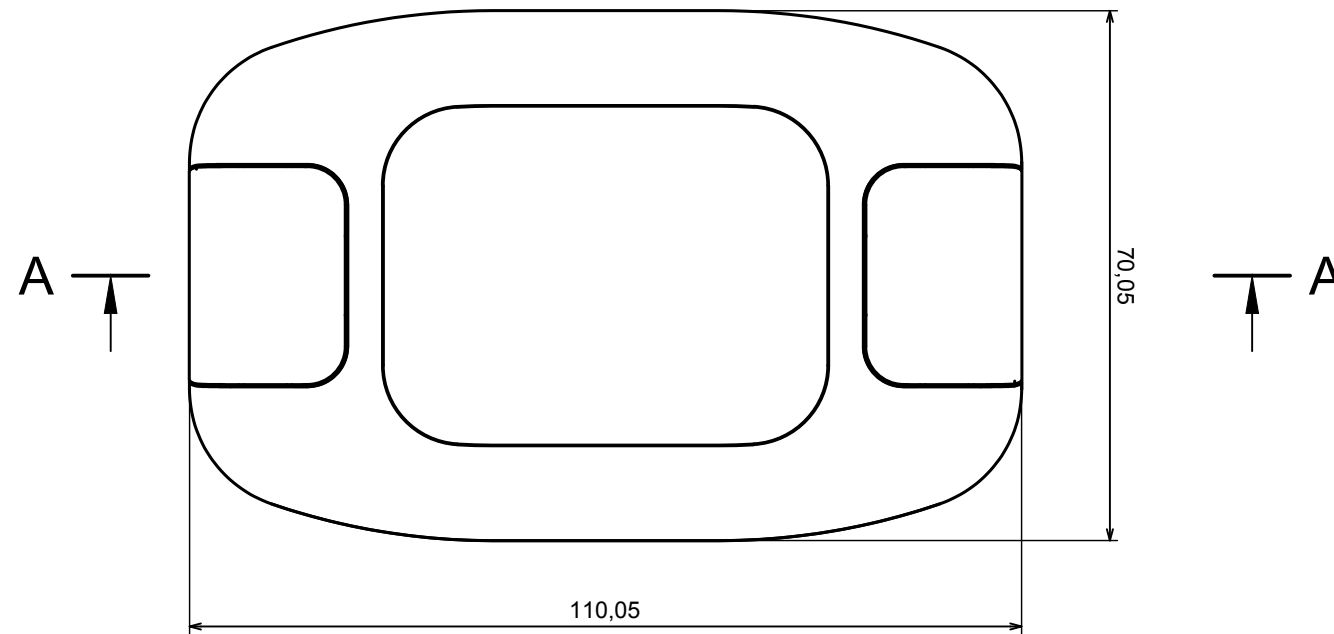
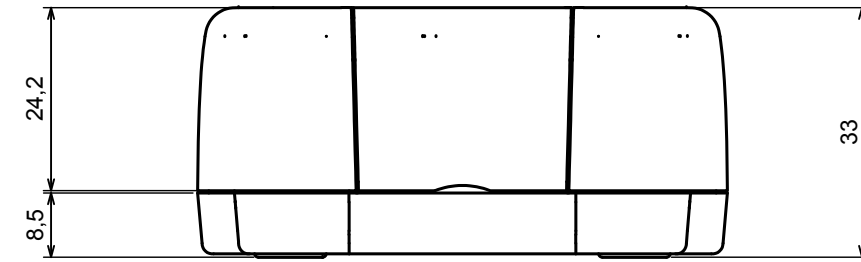
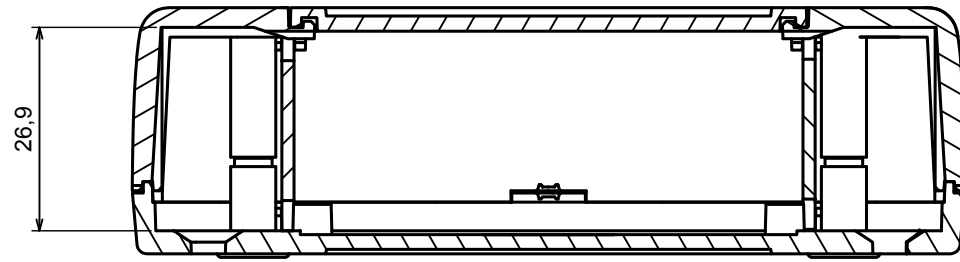


A-A



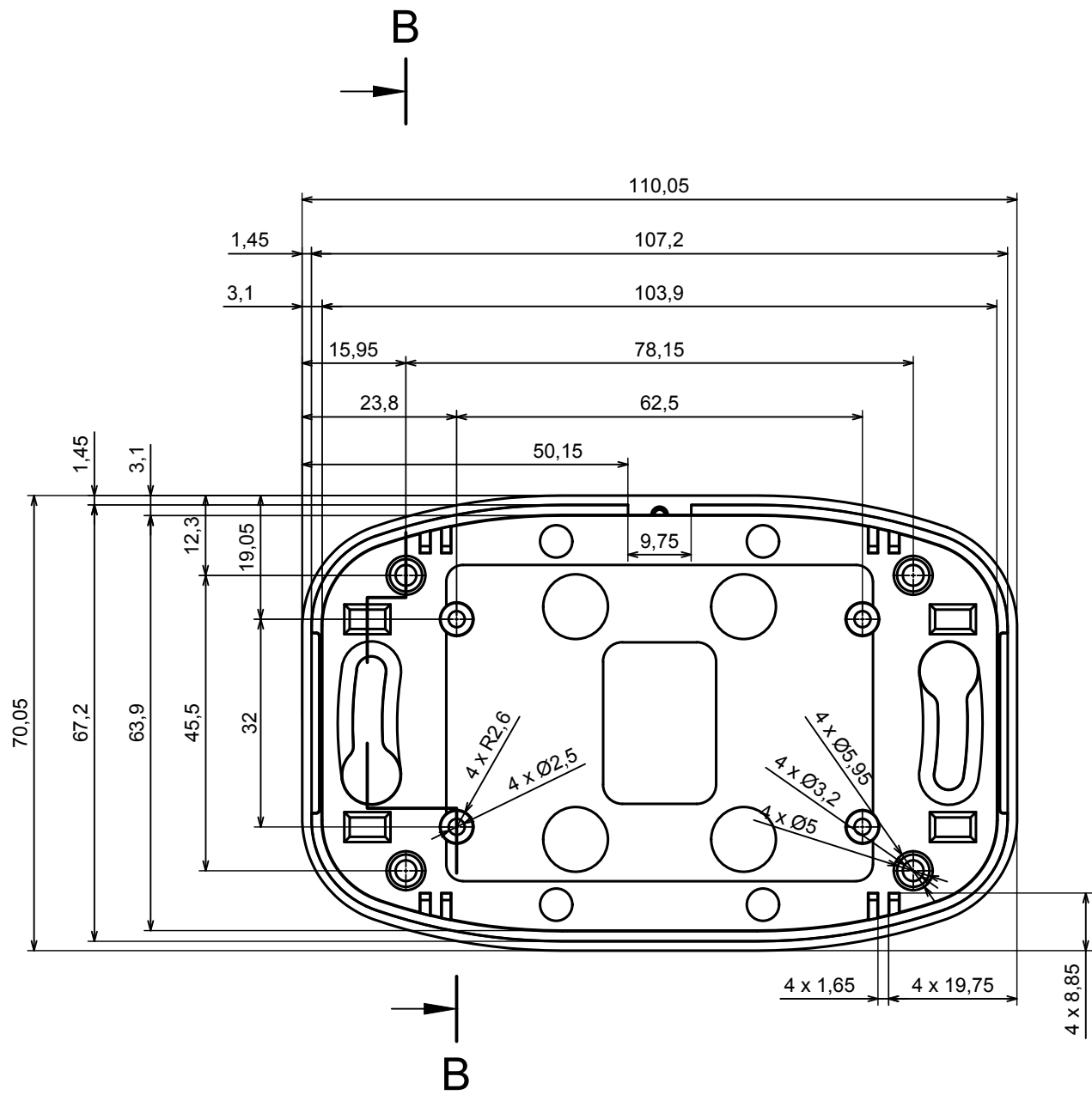
All rights reserved. Copyright Kradex 2022

Product model	Enclosure ZM110.70.33 - Assembly
---------------	----------------------------------

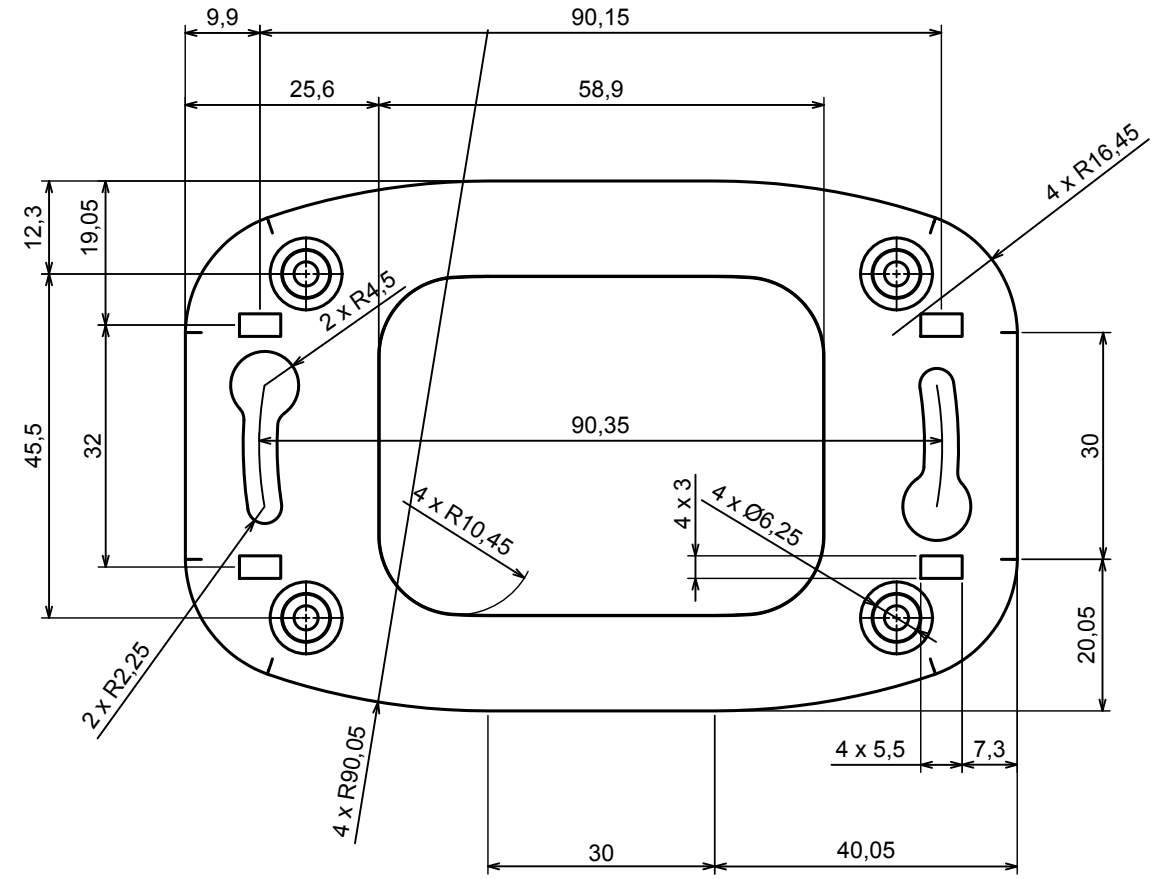
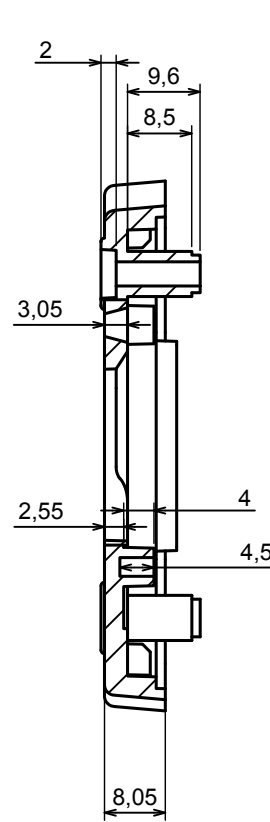
Format: A3	Material: ABS
------------	---------------

Scale 1:1	Tolerance: +/- 0,3
-----------	--------------------



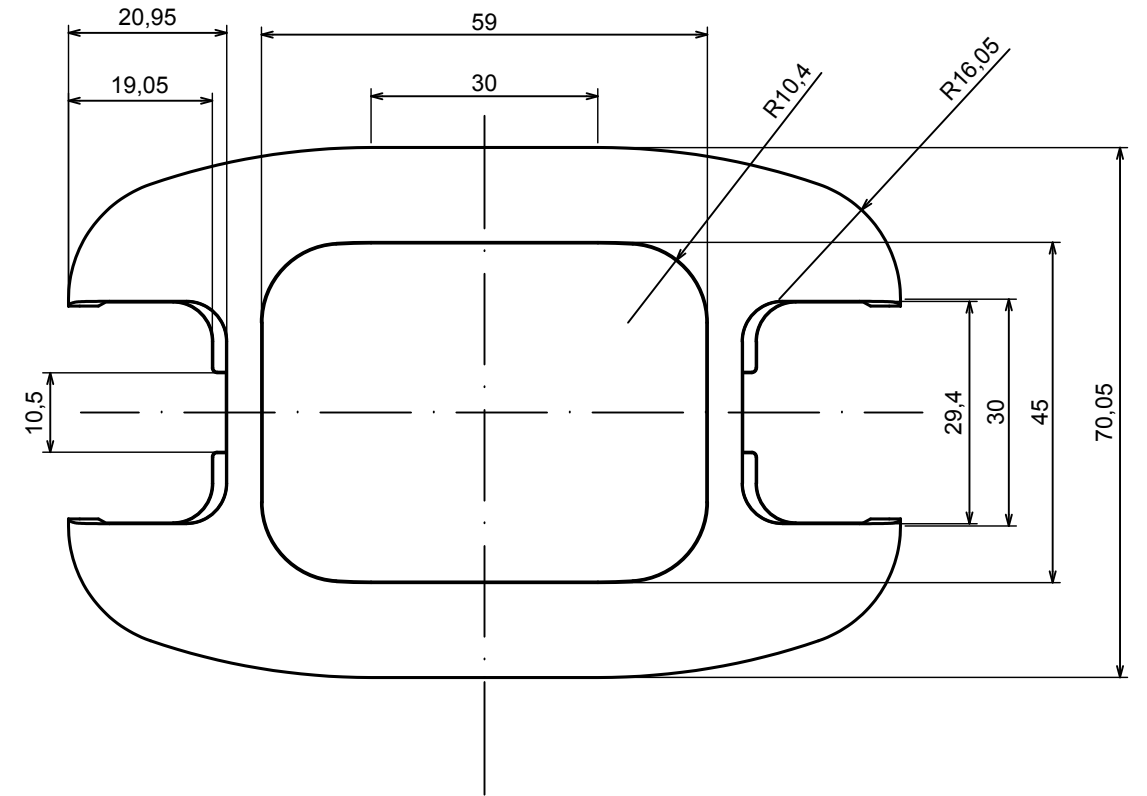
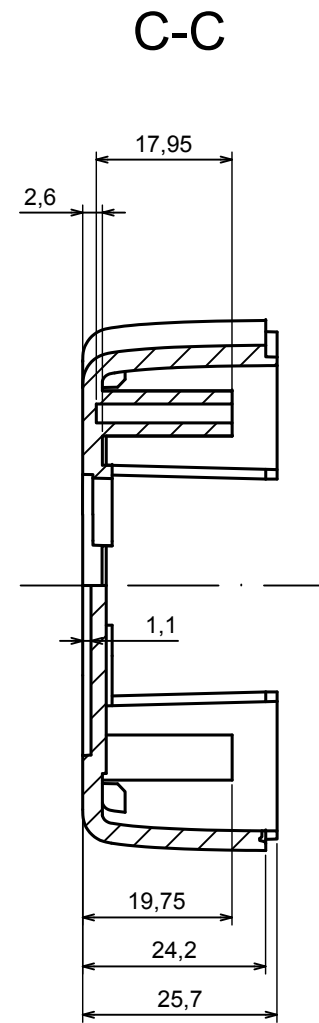
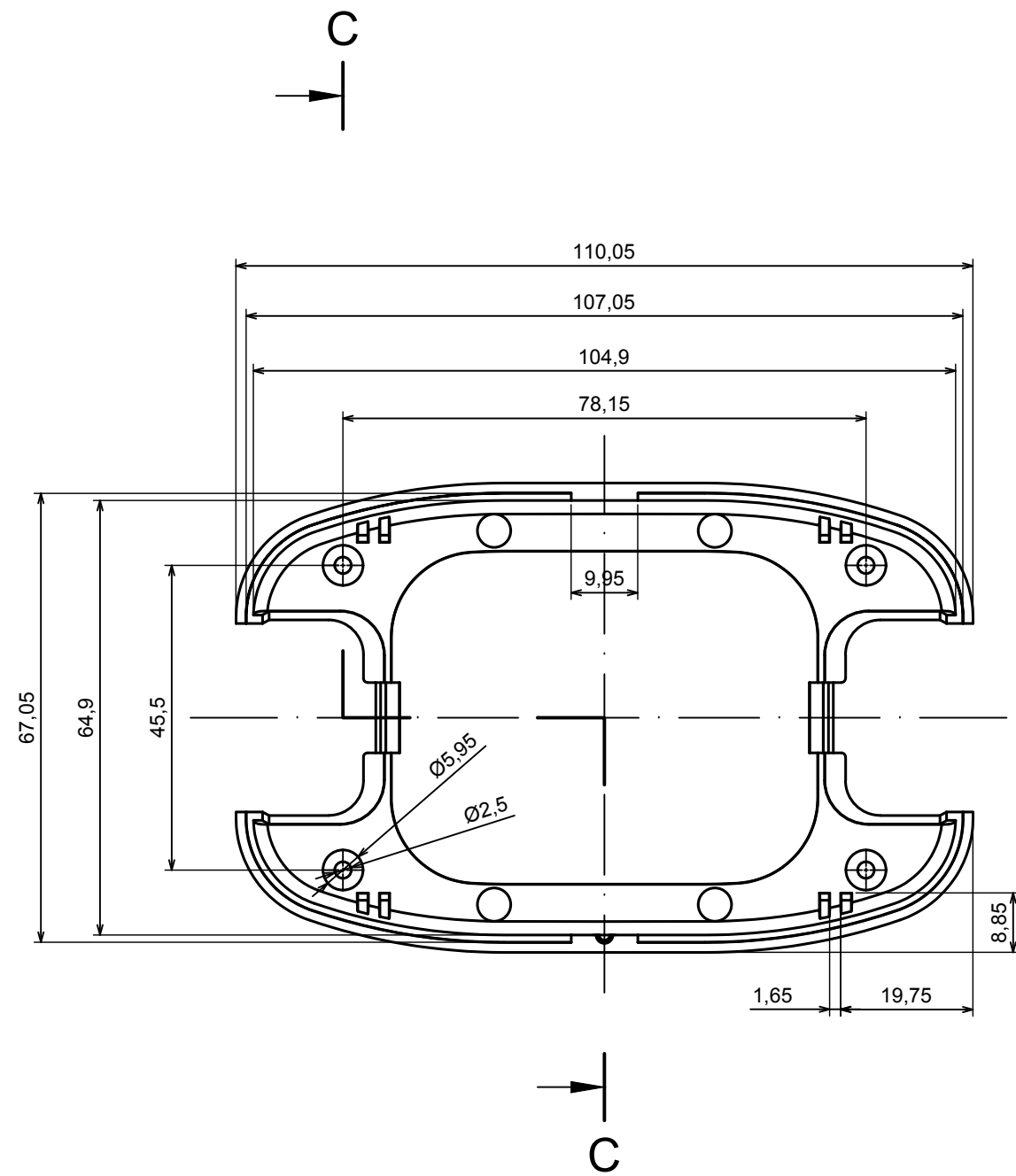


B-B



All rights reserved. Copyright Kradex 2022	
Product model	Enclosure ZM110.70.33 - Base
Format: A3	Material: ABS
Scale 1:1	Tolerance: +/- 0,3





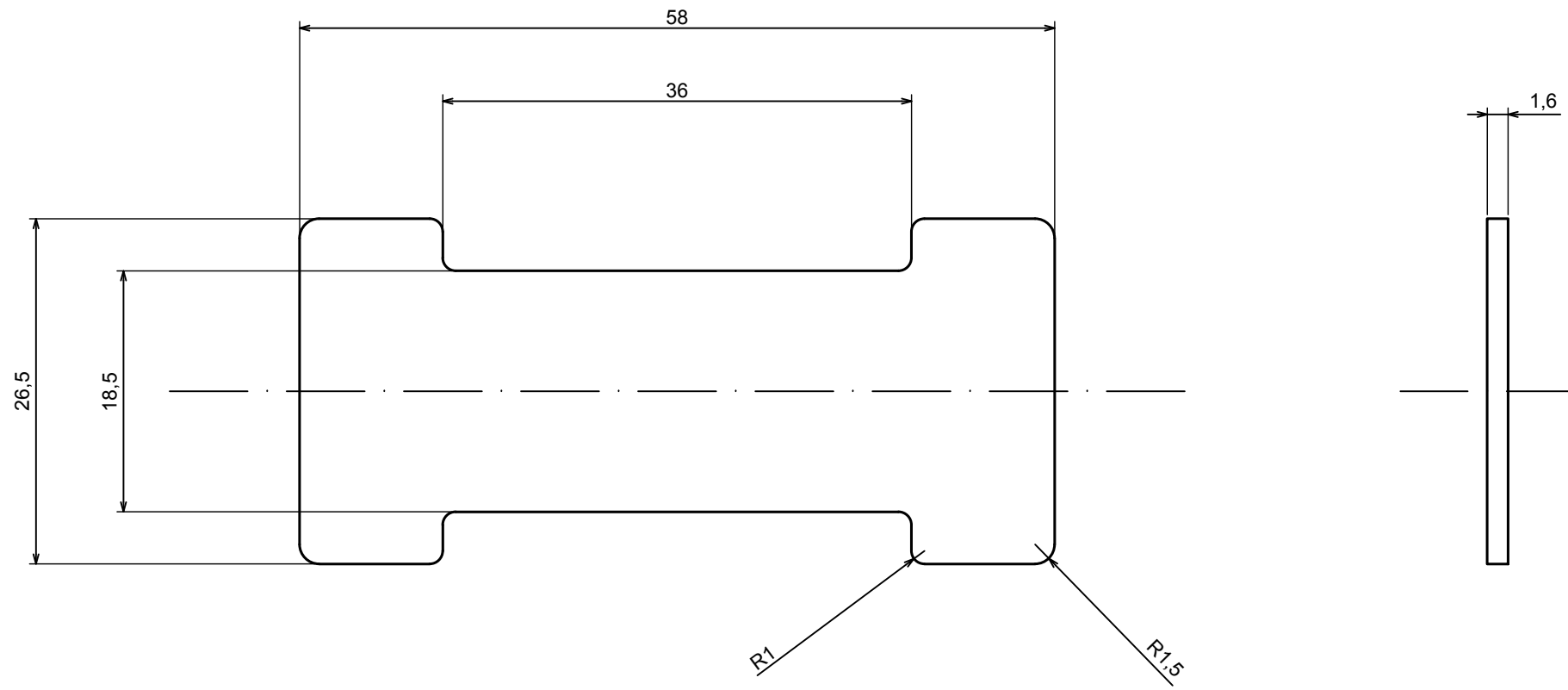
All rights reserved. Copyright Kradex 2022


Product model Enclosure ZM110.70.33 - Cover

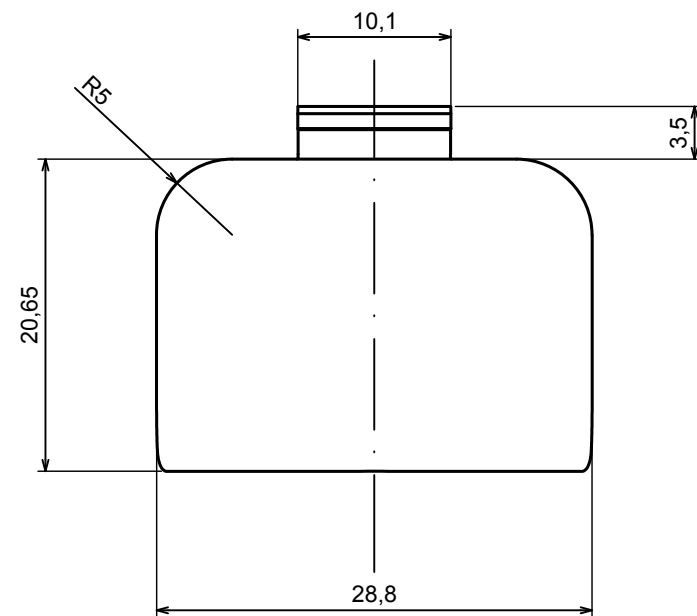
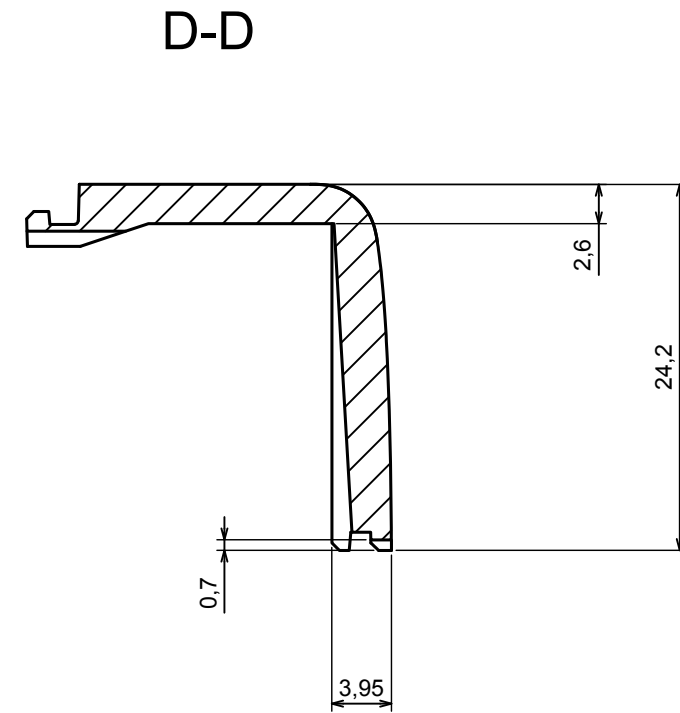
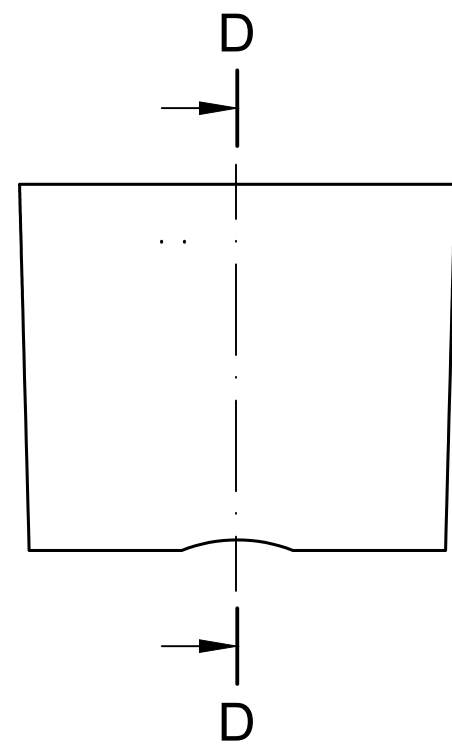
Format: A3 Material: ABS


Scale 1:1 Tolerance: +/- 0,3





All rights reserved. Copyright Kradox 2022		
Product model	Enclosure ZM110.70.33 - Partition Plate	
Format: A3	Material: ABS	
Scale 2:1	Tolerance: +/- 0,3	



All rights reserved. Copyright Kradox 2022		
Product model	Enclosure ZM110.70.33 - Cap	
Format: A3	Material: ABS	
Scale 2:1	Tolerance: +/- 0,3	