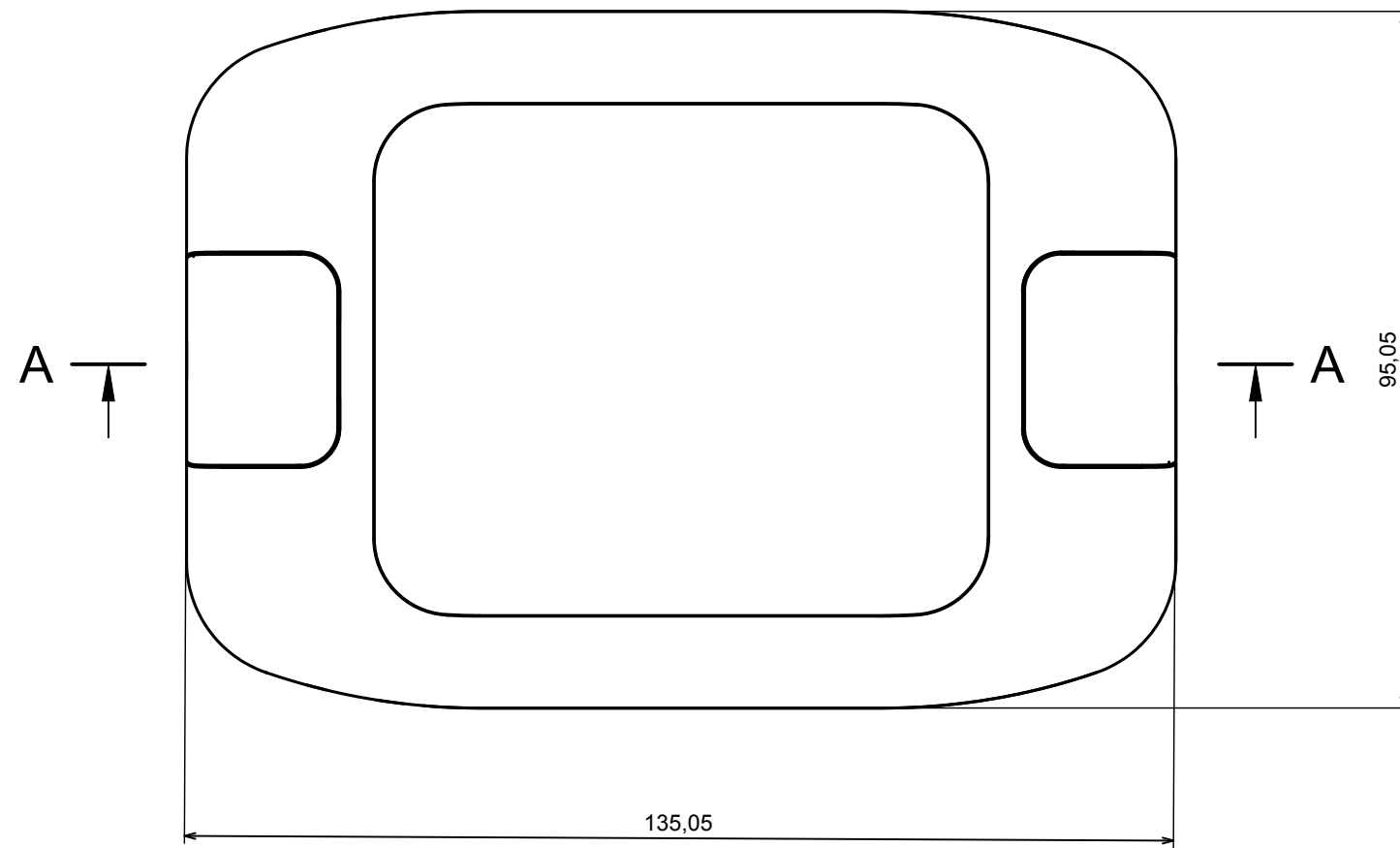
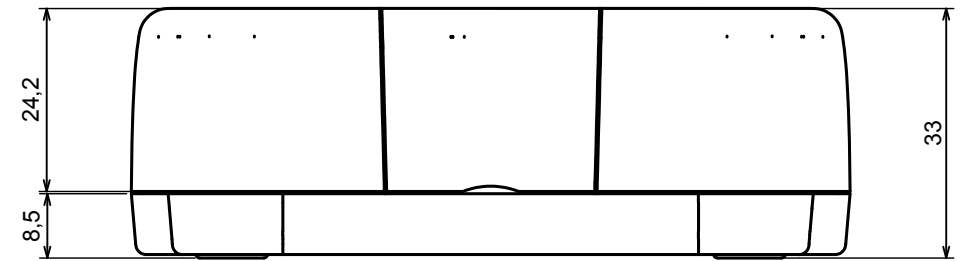
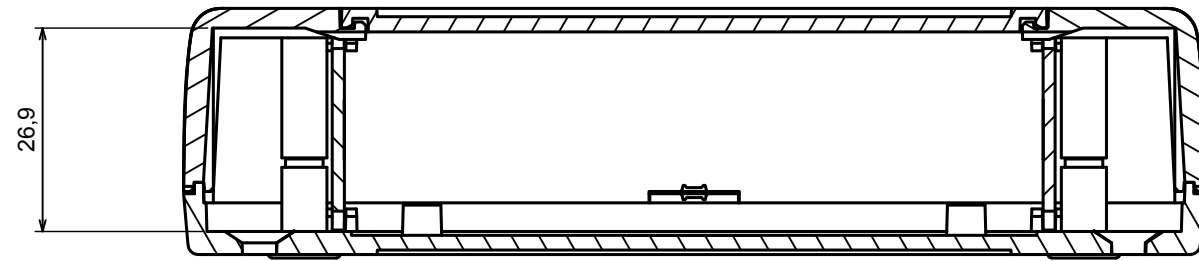

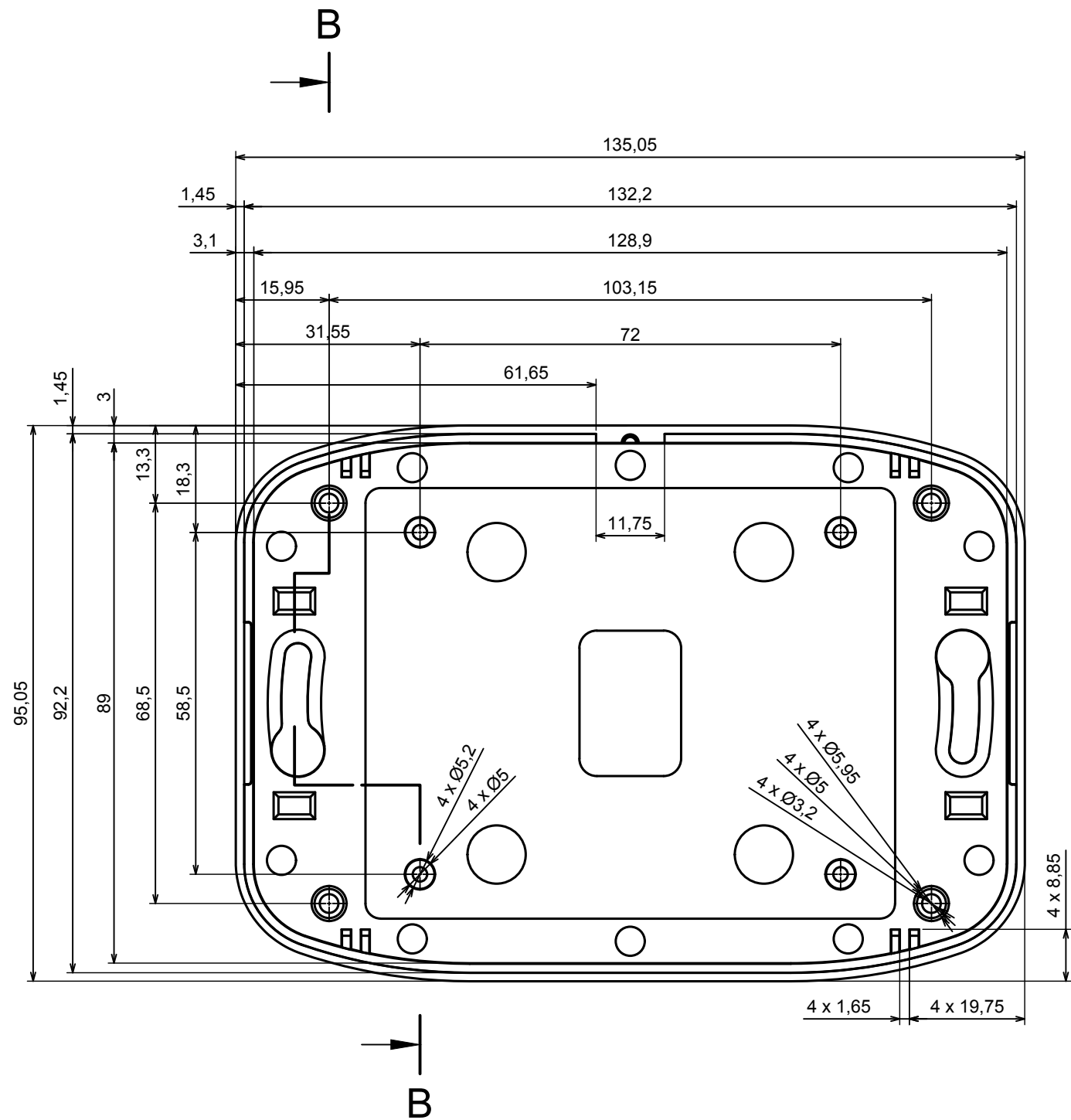


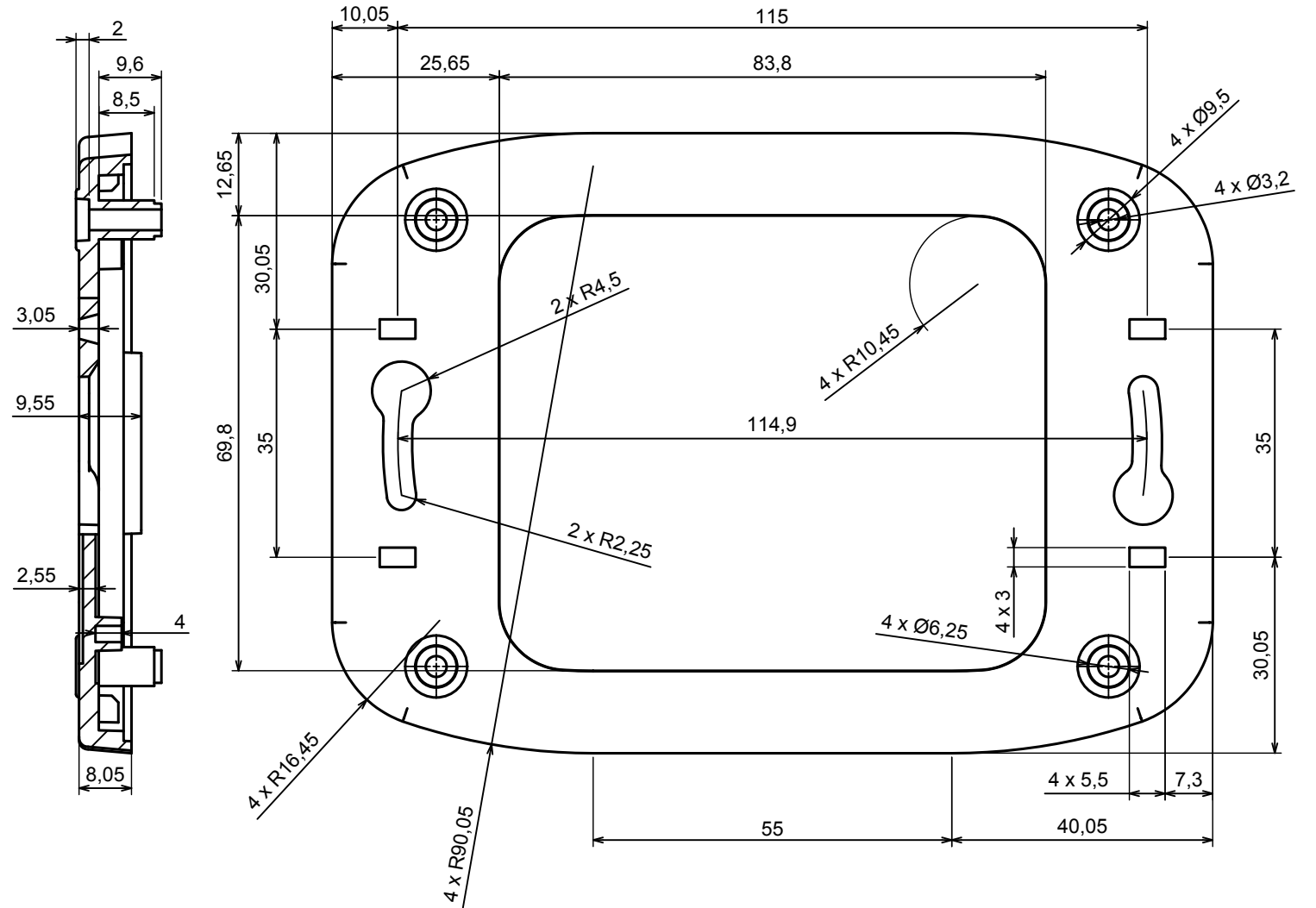
A-A




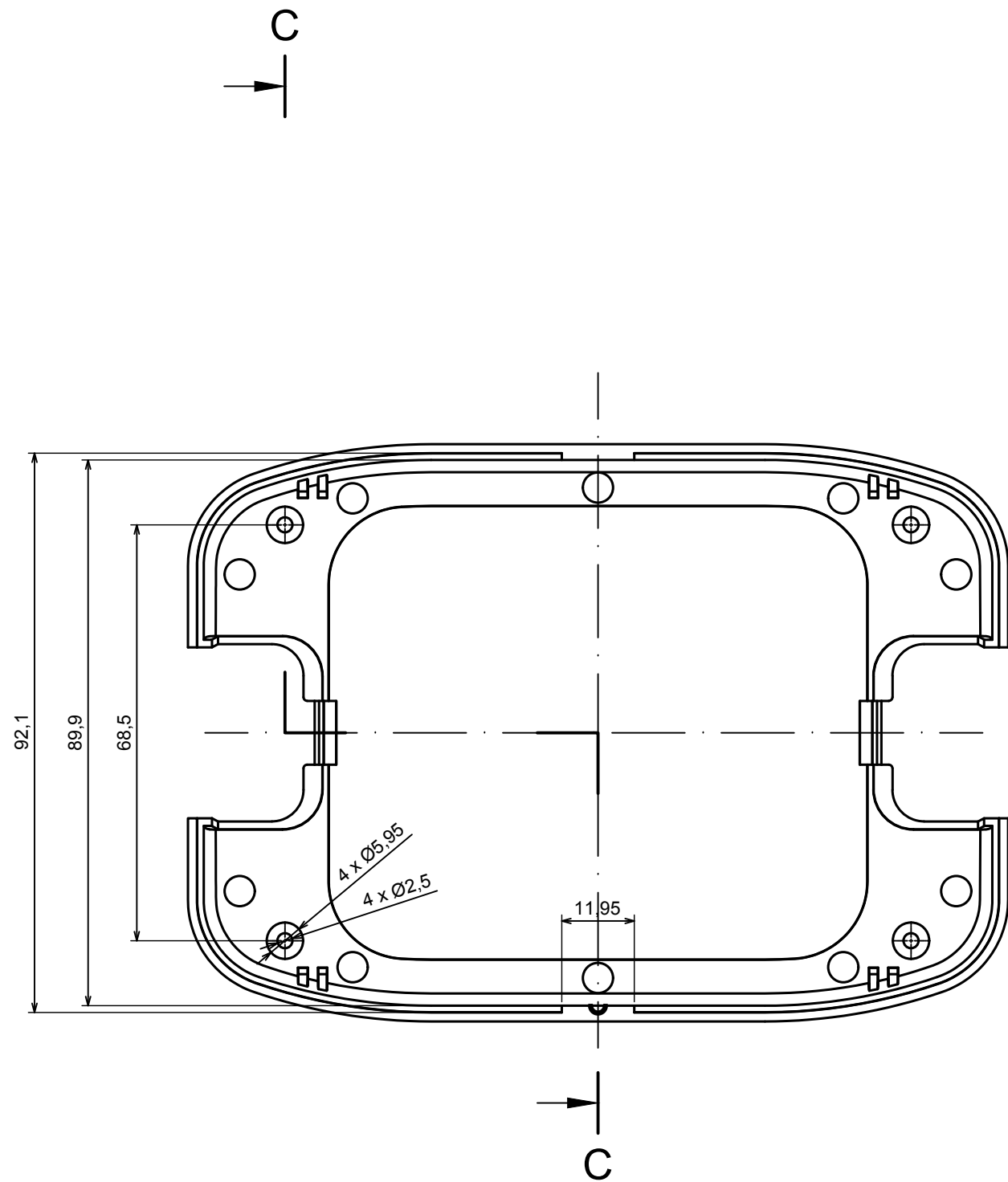
All rights reserved. Copyright Kradex 2022		
Product model	Enclosure ZM135.95.33 - Assembly	
Format: A3	Material: ABS	
Scale 1:1	Tolerance: +/- 0,3	



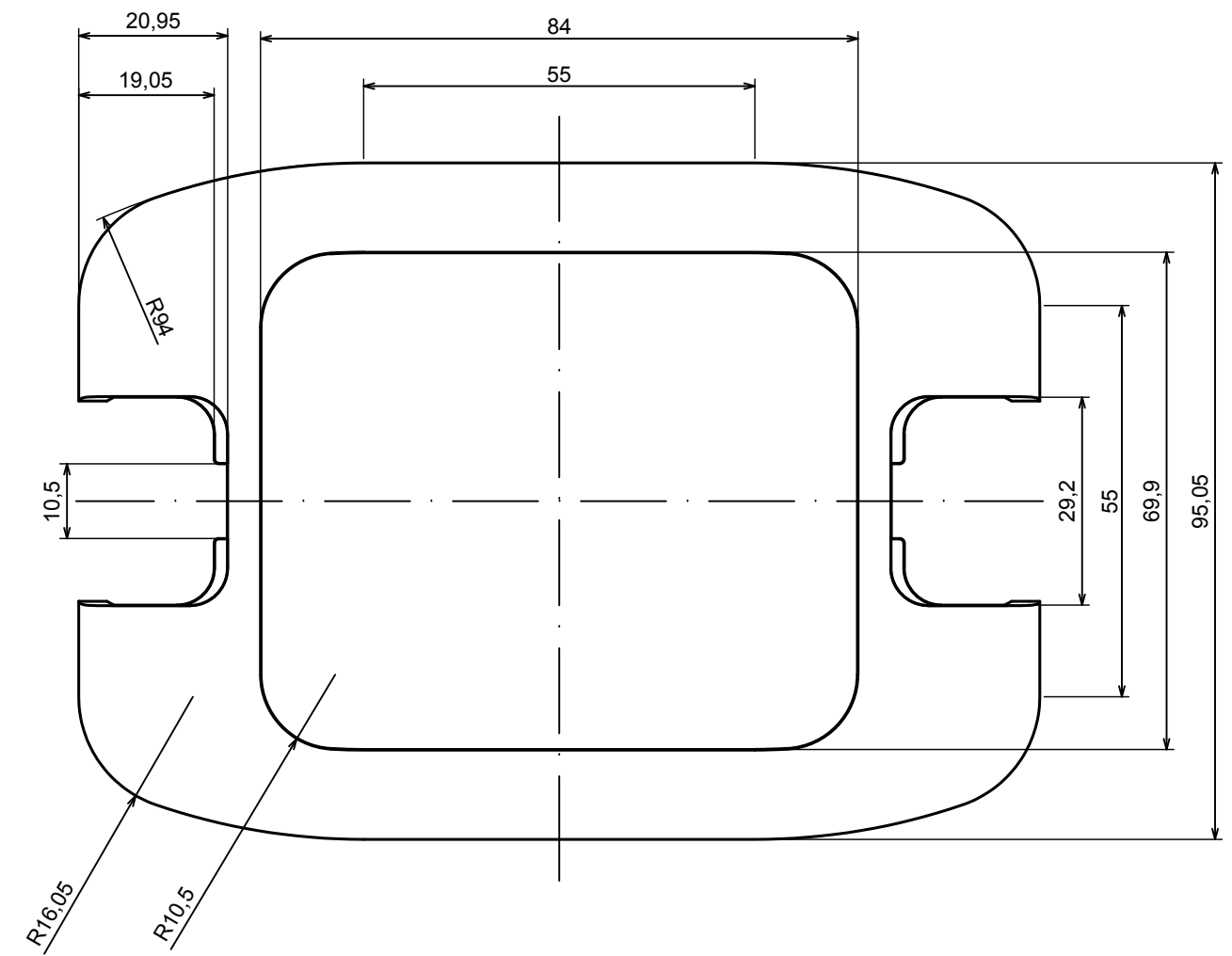
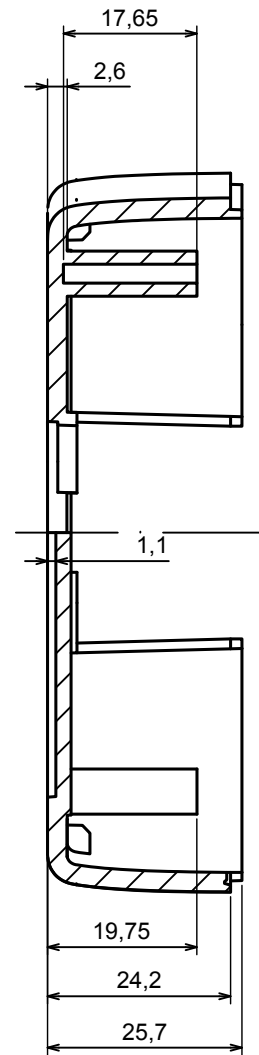
B-B



All rights reserved. Copyright Kradox 2022		
Product model	Enclosure ZM135.95.33 - Base	
Format: A3	Material: ABS	
Scale 1:1	Tolerance: +/- 0,3	



C-C



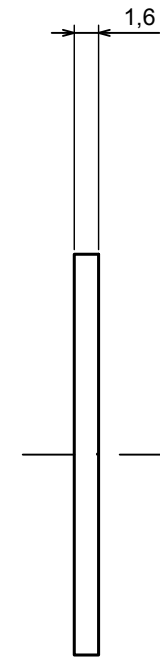
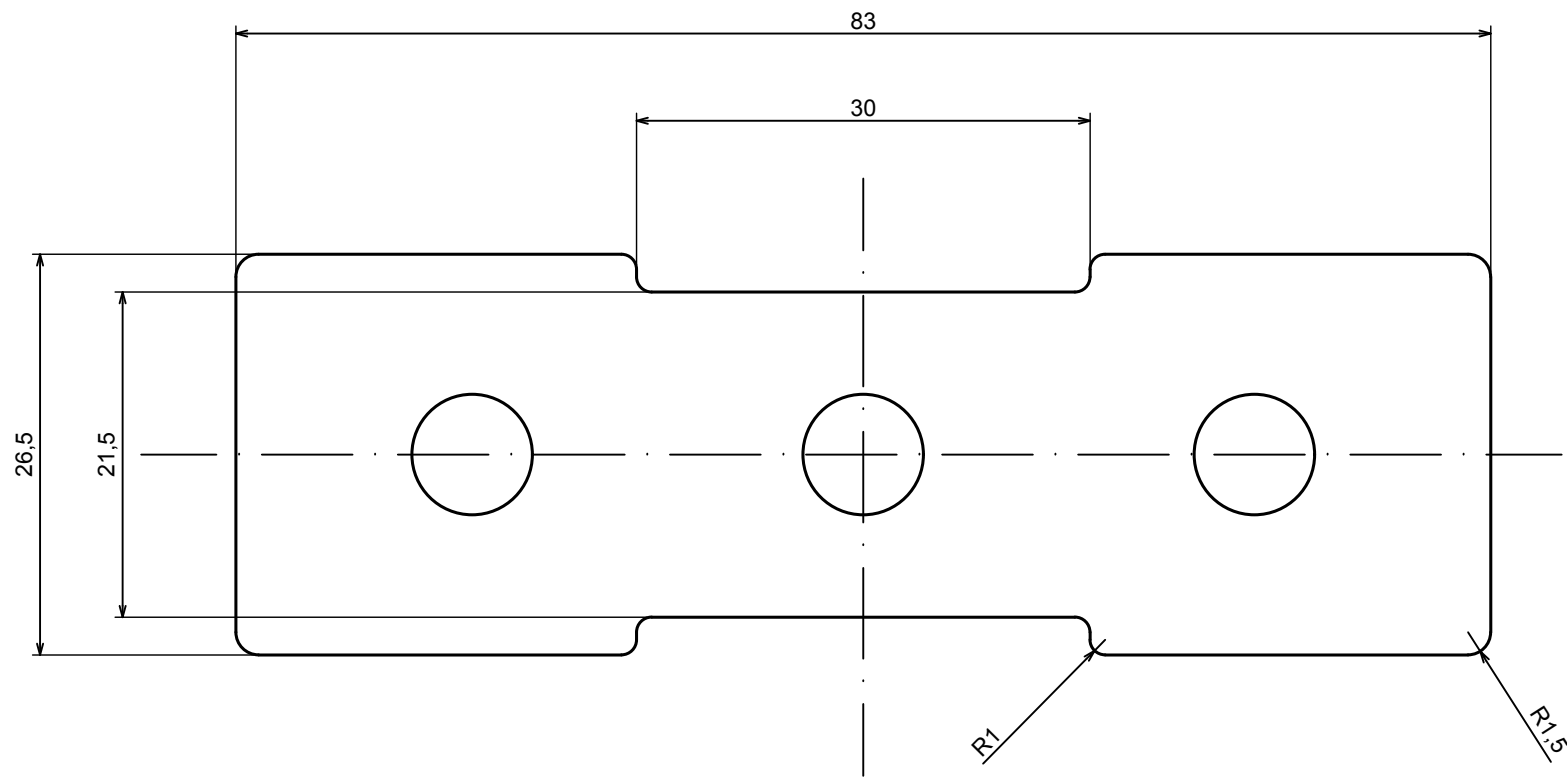
All rights reserved. Copyright Kradox 2022


Product model Enclosure ZM135.95.33 - Cover

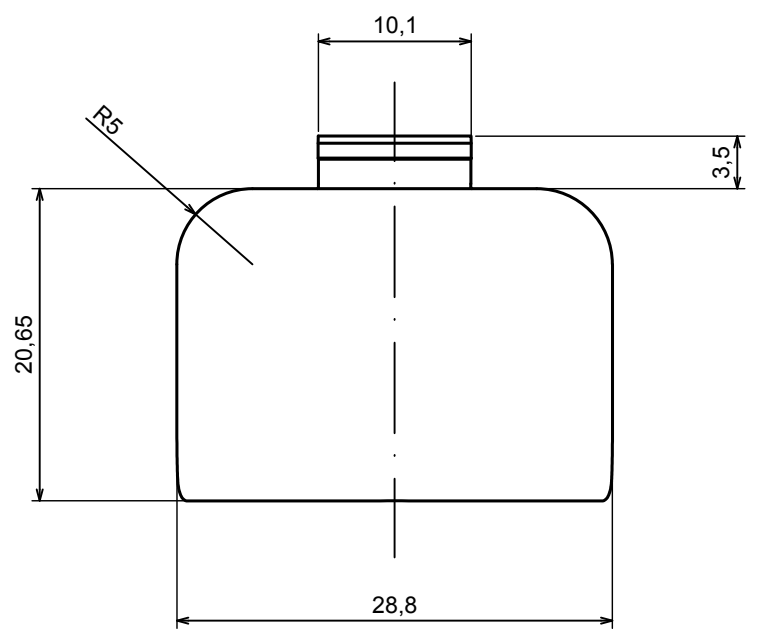
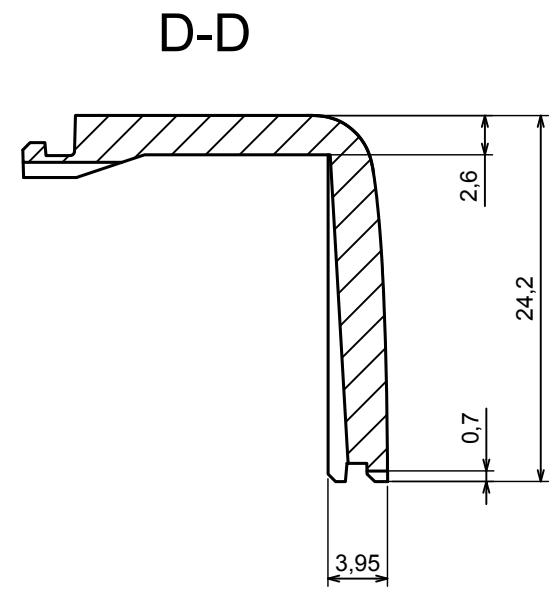
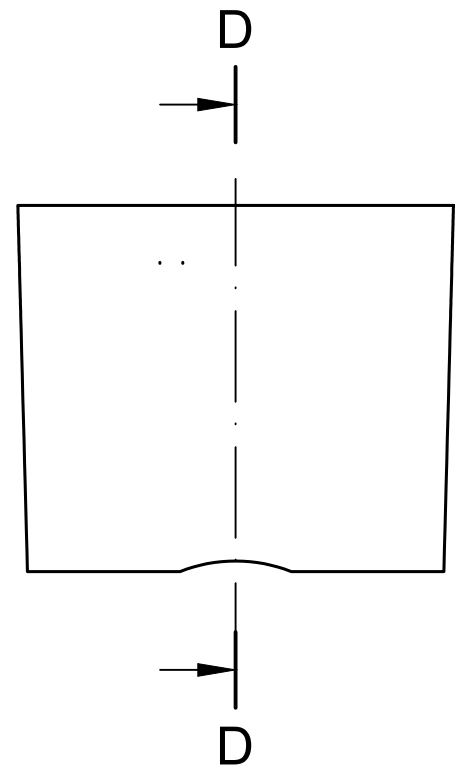
Format: A3 Material: ABS


Scale 1:1 Tolerance: +/- 0,3





All rights reserved. Copyright Kradox 2022		
Product model	Enclosure ZM135.95.33 - Partition Plate	
Format: A3	Material: ABS	
Scale 2:1	Tolerance: +/- 0,3	



All rights reserved. Copyright Kradex 2022		
Product model	Enclosure ZM135.95.33 - Cap	
Format: A3	Material: ABS	
Scale 2:1	Tolerance: +/- 0,3	