

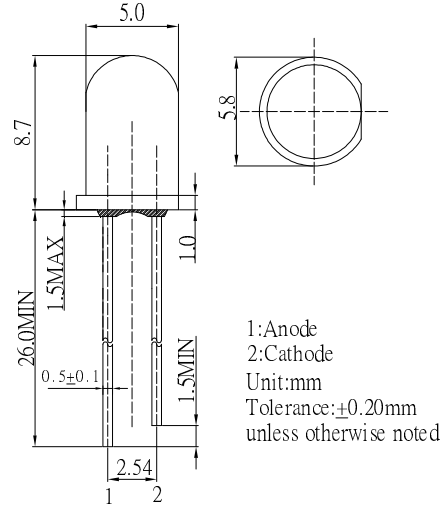
■ Features

- High Luminous LEDs
- 5mm Round Standard Directivity
- UV Resistant Epoxy
- Water Clear Type
- High Voltage Operation

■ Applications

- Backlighting (illuminated advertising etc.)
- Substitution of Micro Incandescent Lamps
- Reading Lamps / Emergency Lighting
- Marker lights (e.g. steps, exit ways, etc.)
- Other Lighting

■ Outline Dimension

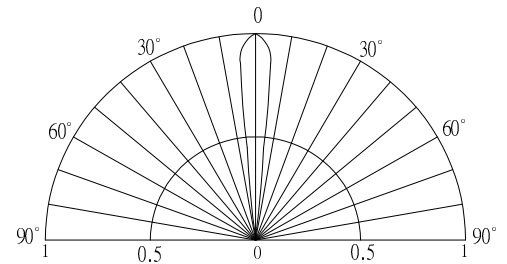


■ Absolute Maximum Rating (Ta=25°C)

Item	Symbol	Value	Unit
DC Forward Current	I _F	20	mA
Pulse Forward Current#	I _{FP}	100	mA
Reverse Voltage	V _R	15	V
Power Dissipation	P _D	190	mW
Operating Temperature	Topr	-30 ~ +85	°C
Storage Temperature	Tstg	-40 ~ +100	°C
Lead Soldering Temperature	Tsol	260°C/5sec	-

#Pulse width Max 10ms , Duty ratio max 1/10

■ Directivity



■ Electrical -Optical Characteristics (Ta=25°C)

Part Number	Color			V _F (V)*1			I _R (μA)	Φ _V (LM)*2			I _v (mcd)*3			CCT(K)*4/x,y*5			2θ1/2(deg)
				Min.	Typ.	Max.	Max.	Min.	Typ.	Max.	Min.	Typ.	Max.	Min.	Typ.	Max.	Typ.
				I _F =15mA			V _R =15V	I _F =15mA									
OSW59V5111A	Cool White	W		7.8	8.5	9.5	10	11	13	-	90000	100000	-	8500-10000-18000K(X:0.27,Y:0.28)			15
OSW49V5111A	Pure White	W		7.8	8.5	9.5	10	11	13	-	90000	100000	-	5500-6500-8500K(X:0.31,Y:0.34)			15
OSM59V5111A	Warm White	M	■	7.8	8.5	9.5	10	10	12	-	80000	90000	-	2700-3000-3200K(X:0.44,Y:0.41)			15
OSB69V5111A	Ice Blue	B	■	7.8	8.5	9.5	10	11	13	-	90000	100000	-	X:0.19,Y:0.29			15

*1 Tolerance of measurements of forward voltage is ±0.1V

*2 Tolerance of measurements of luminous flux is ±15%

*3 Tolerance of measurements of luminous intensity is ±15%

*4 Tolerance of measurements of color temperature is ±10%

*5 Tolerance of measurements of chromaticity coordinate is ±10%