

**CURRENT REGULATIVE LED**

**■ Outline Dimension**

**CRLED**

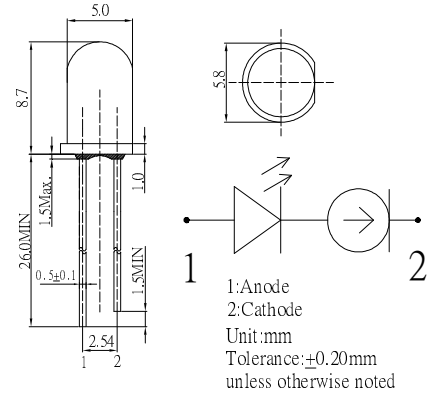
- CRLED is LED which supplies constant current to keep LED Intensity Consistency even when power supply voltage fluctuations or load impedance fluctuations occur.
- CRLED is used with current stabilization and current limiting

**■ Features**

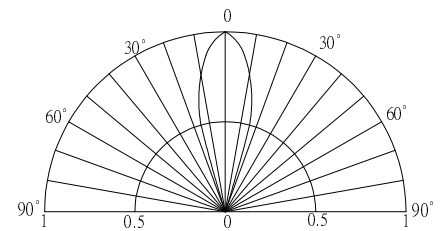
- High Luminous LEDs / 5mm Round Standard Directivity
- Superior Weather-resistance / UV Resistant Epoxy
- Water Clear Type

**■ Absolute Maximum Rating (Ta=25°C)**

Item	Symbol	Value	Unit
DC Forward Voltage	V <sub>F</sub>	20	V
Power Dissipation	P <sub>D</sub>	320	mW
Operating Temperature	Topr	-30 ~ +85	°C
Storage Temperature	Tstg	-40 ~ +100	°C
Lead Soldering Temperature	Tsol	260°C/5sec	-



**■ Directivity**



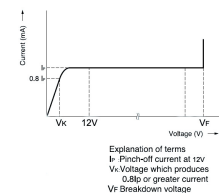
**■ Electrical -Optical Characteristics (Ta=25°C)**

Part Number	Color	V <sub>F</sub> (V)		I <sub>F</sub> (mA)			I <sub>R</sub> (μA)	I <sub>v</sub> (mcd)*			λD(nm)*			2θ1/2(deg)
		Min	Max	Min	Typ.	Max.	Max..	Min.	Typ.	Max.	Min.	Typ.	Max.	Typ.
		V <sub>F</sub> =12V		V <sub>R</sub> =8V		V <sub>F</sub> =12V			V <sub>F</sub> =12V					
OSW5DK5A31A-CRLED14	White	5.5	20	-	14	-	10	-	12000	-	X=0.27, Y=0.28			30
OSM5DK5A31A-CRLED14	Warm White	5.5	20	-	14	-	10	-	8000	-	X=0.45, Y=0.41			30
OSK5DK5A31A-CRLED14	Pink	5.5	20	-	14	-	10	-	2500	-	X=0.45, Y=0.17			30
OSB64L5A31A-CRLED14	Ice Blue	5.5	20	-	14	-	10	-	10000	-	X=0.19, Y=0.29			30
OSB5SA5A31A-CRLED14	Blue	5.5	20	-	14	-	10	-	6500	-	465 470 475			30
OSG5DA5A31A-CRLED14	Pure Green	5.5	20	-	14	-	10	-	12000	-	520 525 530			30
OSG8NU5A31A-CRLED14	Yellow Green	5.5	20	-	14	-	10	-	750	-	565 570 575			30
OSY5JA5A31A-CRLED14	Yellow	5.0	20	-	14	-	10	-	1800	-	585 590 595			30
OSY5PA5A31A-CRLED14	Yellow	5.0	20	-	14	-	10	-	7000	-	585 590 595			30
OSY5MA5A31A-CRLED14	Yellow	5.0	20	-	14	-	10	-	7500	-	585 590 595			30
OSO5JA5A31A-CRLED14	Orange	5.0	20	-	14	-	10	-	1800	-	600 605 610			30
OSO5PA5A31A-CRLED14	Orange	5.0	20	-	14	-	10	-	7500	-	600 605 610			30
OSR5JA5A31A-CRLED14	Red	5.0	20	-	14	-	10	-	1800	-	620 625 630			30
OSR5PA5A31A-CRLED14	Red	5.0	20	-	14	-	10	-	7000	-	620 625 630			30
OSR5MA5A31A-CRLED14	Red	5.0	20	-	14	-	10	-	7500	-	620 625 630			30

\*1 Tolerance of measurements of chromaticity coordinate is ±10%  
 \*2 Tolerance of measurements of dominant wavelength is ±1nm  
 \*3 Tolerance of measurements of luminous intensity is ±15%  
 \*4 Tolerance of measurements of forward voltage is ±0.1V

**■ Applications**

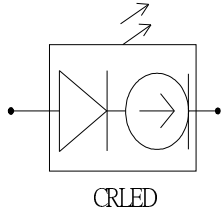
- Electronic Signs And Signals/ Small Area Illuminations
- Back Lighting/ Toys/ Other Lighting



<b>Current Regulative LED</b>
<b>5mm Round LED</b>
<b>OSXXXX5A31A-CRLED14</b>

■ **Typical Applications**

1: Single LED



2: Multi- LEDs in series

