

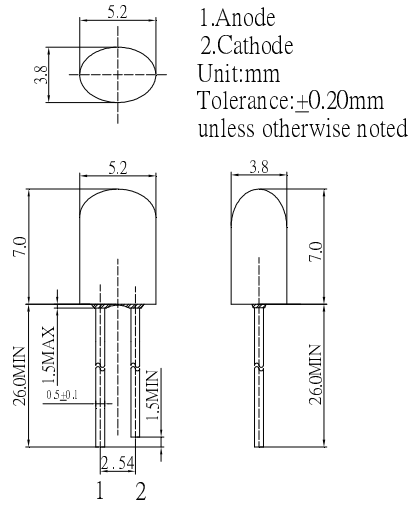
■ Features

- 5.2x3.8mm Standard Directivity
- Long Lifetime Operation
- UV Resistant Epoxy
- Color Diffused Type

■ Applications

- Electronic Signs & Signals
- Full-Color Video Screen
- Motorway Signs
- Variable-Message Sign(VMS)

■ Outline Dimension

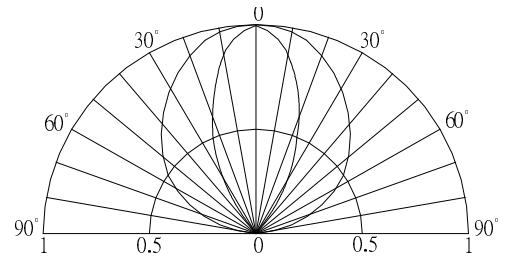


■ Absolute Maximum Rating

(Ta=25°C)

Item	Symbol	Value		Unit
		B/PG	Y/O/R	
DC Forward Current	I _F	30	30	mA
Pulse Forward Current#	I _{FP}	100	100	mA
Reverse Voltage	V _R	5	5	V
Power Dissipation	P _D	108	78	mW
Operating Temperature	T _{opr}	-30 ~ +85		°C
Storage Temperature	T _{stg}	-40 ~ +100		°C
Lead Soldering Temperature	T _{sol}	260°C/5sec		-

■ Directivity



#Pulse width Max 10ms , Duty ratio max 1/10

■ Electrical -Optical Characteristics

(Ta=25°C)

Part Number	Color		V _F (V)			I _R (μA)	I _v (mcd)			λD(nm)			θ1/2(deg)
			Min.	Typ.	Max.		Max.	Min.	Typ.	Max.	Min.	Typ.	
			I _F =20mA			V _R =5V		I _F =20mA					
OSB5SA5JB4B-0.5	Blue	B	2.8	3.1	3.6	10	1120	1560	-	465	465	475	100/40
OSG5DA5JB4B-0.5	Pure Green	PG	2.8	3.1	3.6	10	2180	3000	-	520	525	530	100/40
OSY5PA5JB4B-0.5	Yellow	Y	1.8	2.1	2.6	10	1120	1560	-	585	590	595	100/40
OSO5PA5JB4B-0.5	Orange	O	1.8	2.1	2.6	10	1560	2180	-	600	605	610	100/40
OSR5PA5JB4B-0.5	Red	R	1.8	2.1	2.6	10	1120	1560	-	620	625	630	100/40

*1 Tolerance of measurements of dominant wavelength is +1nm

*2 Tolerance of measurements of luminous intensity is +15%

*3 Tolerance of measurements of forward voltage is±0.1V

LED & Application Technologies

