

MECHANICAL TOL.±0.2 UNIT: mm

VER	REVISION RECORD	DATE
A	First issue	2017.08.26

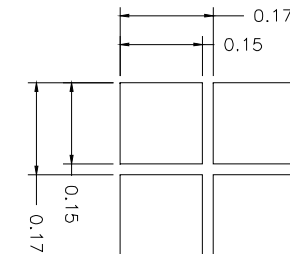
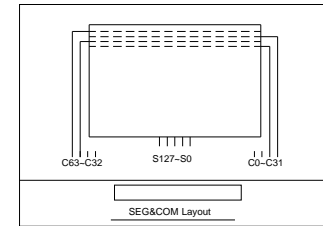
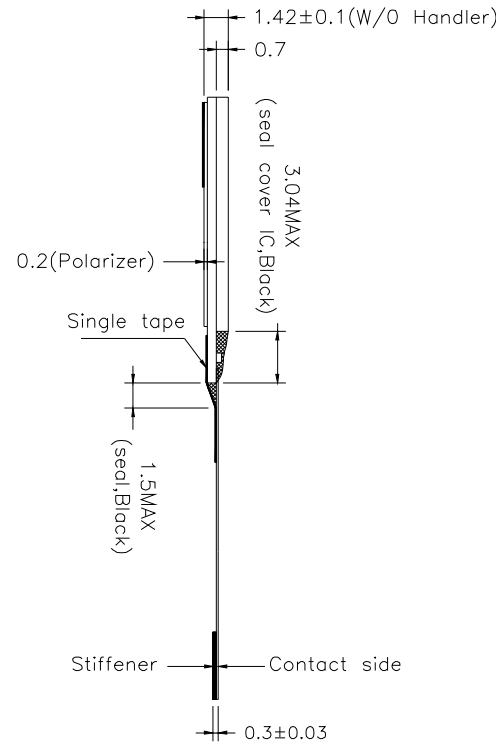
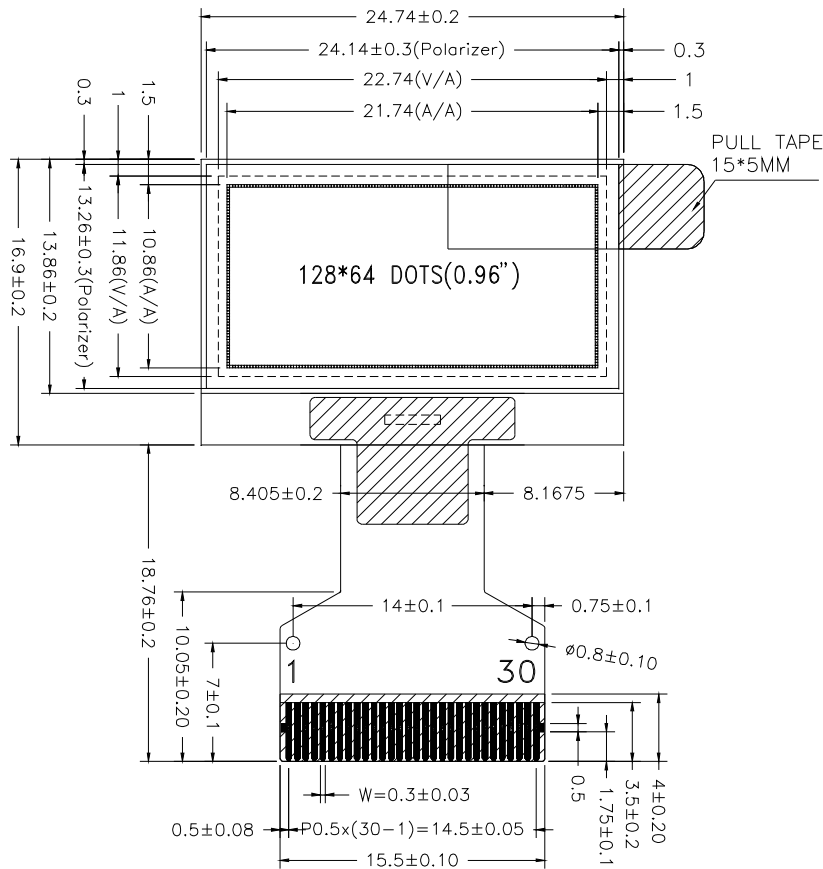
1

2

3

4

5



PIN	SYMBOL
1	NC(GND)
2	C2P
3	C2N
4	C1P
5	C1N
6	VBAT
7	NC
8	VSS
9	VDD
10	BS0
11	BS1
12	NC
13	CS#
14	RES#
15	D/C#
16	NC
17	NC
18	D0
19	D1
20	D2
21	NC
22	NC
23	NC
24	NC
25	NC
26	IREF
27	VCOMH
28	VCC
29	VLSS
30	NC(GND)

Specifications:

1. Display : OLED(White).
2. Dot Matrix: 128*64
3. Dot Size: 0.15*0.15mm
4. Dot Pitch: 0.17*0.17mm
5. Aperture Rate: 78%
6. Active Area : 21.74*10.86mm
7. Drive IC: SSD1315Z
8. FPC P/N:HP1315P02B(FPC_B).

CUSTOMER APPROVAL