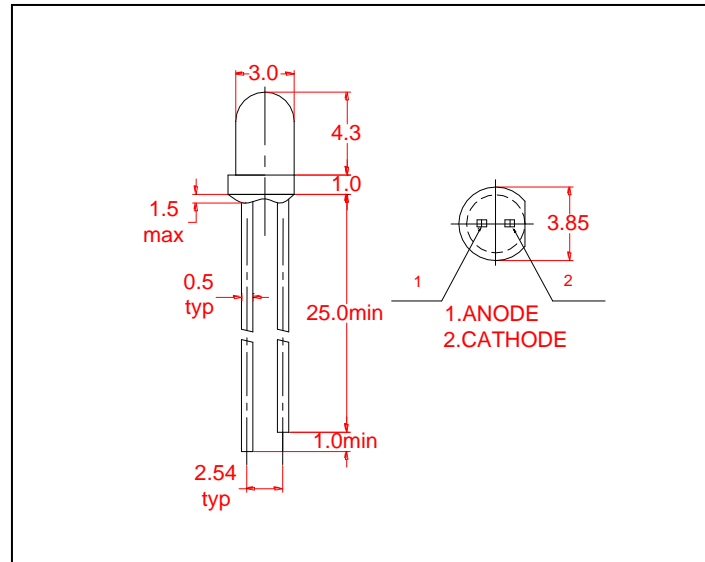


DATA SHEET for LED

LY30240

Part No.	LY30240
Emitting Color	Yellow
Lens' Color	Yellow Diffused



Absolute Maximum Rating of Each Segment

(Ta = 25°C)

Parameter	Symbol	Maximum Rating	Unit
Power Dissipation	P _M	80	mW
Continuous Forward Current	I _F	25	mA
Reverse Voltage	V _R	6	V
Operation Temperature	T _{opr}	-25°C ~ 85°C	°C
Storage Temperature	T _{stg}	-40°C ~ 100°C	°C
Soldering Temperature : 2.0mm from Body for 3 seconds at 260°C			

Electron-Optical Characteristics of Each Segment

(Ta = 25°C)

Parameter	Symbol	Min.	Typ.	Max.	Unit	Test Condition
Luminous Intensity	I _v	10	25		mcd	I _F =20 mA
Forward Voltage	V _F		2.1	2.5	V	I _F =20 mA
Reverse Current	I _R			50	μA	V _R =5V
Peak Wavelength	λ _p		585		nm	I _F =20 mA
Viewing Angle	2θ _{1/2}		45		deg	I _F =20 mA