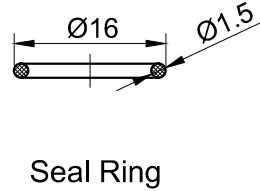
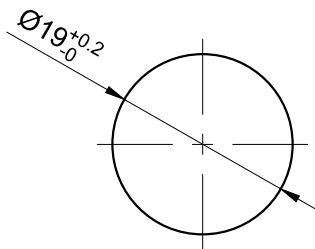
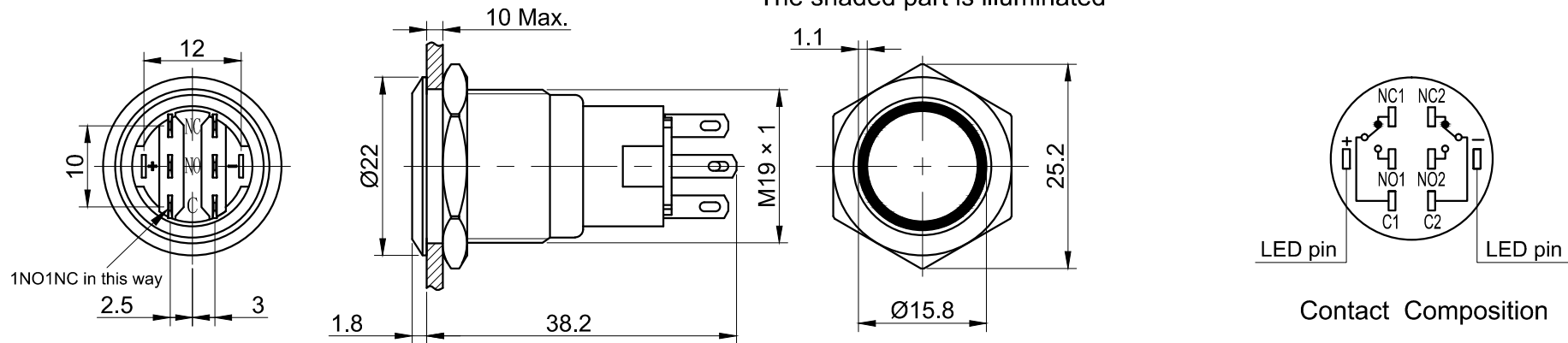


FOR 客户名称	APPROVED 客户确认签字	ATTN 销售负责人

The shaded part is illuminated



Part Number: LAS1-AGQ-□■E/△/▲/S

" "	Contact structure
11	1NO 1NC
22	2NO 2NC

" "	Operation mode
No Letter	Momentary
Z	Latching

" "	Lamp Color
R	Red
G	Green
Y	Yellow
B	Blue
W	White

" "	Lamp voltage
6V	AC/DC 6V
12V	AC/DC 12V
24V	AC/DC 24V
110V	AC/DC 110V
220V	AC/DC 220V

Other voltage can be made to order

SPECIFICATIONS:

- 1.Switch Rating: AC220V/0.5A, DC110V/0.1A.
- 2.Mechanical Life: ≥1,000,000cycles.
- 3.Electrical Life: ≥50,000cycles.
- 4.Contact Resistance: ≤50mΩ.
- 5.Insulation Resistance: ≥1,000MΩ.
- 6.Dielectric Strength: 1,500V, RMS 50Hz , 1min.
- 7.Operating Temperature: -25℃~ +55℃(No Freezing).
- 8.Operating Force: About 1.5N(1NO1NC),About 3N(2NO2NC).
- 9.Operating Travel: About 3.1mm.
- 10.Torque: About 0.6Nm max.applied to nut.
- 11.Protection degree: IP67;IK09.
- 12.Terminal Type: Pin Terminal(2.8 x 0.5mm).

MATERIALS:

- 1.Contact: Silver alloy.
- 2.Button: Stainless Steel.
- 3.Body: Stainless Steel.
- 4.Base: PBT.

BRAND 品牌 ONPOW	红波按钮制造有限公司 ONPOW PUSH BUTTON MANUFACTURE CO.,LTD.	
	USED 用途	APPD 审核 CH 2020/04/23
THESE DRAWINGS AND SPECIFICATIONS ARE THE PROPERTY OF ONPOW PUSH BUTTON MANUFACTURE CO.,LTD. AND SHALL NOT BE REPRODUCED COPIED OR USED IN ANY MANNER WITHOUT THE PRIOR WRITTEN CONSENT OF ONPOW PUSH BUTTON MANUFACTURE CO.,LTD.	FINISH 处理	CHKD 校对 NCH 2020/04/23
	SCALE 比例 1.2 / 1	UNIT 单位 mm
TITLE 名称 GQ Series Anti-vandal push button		DR. 制图 ZPD 2020/04/23
DIMENSIONS		TOLERANCE
0.00 TO 18.00mm		±0.43mm
18.01 TO 30.00mm		±0.52mm
30.01 TO 50.00mm		±0.62mm
50.01 TO 80.00mm		±0.74mm
DWG NO. 图号 LAS1-AGQ-E(旋转)		SIZE 图纸 A4
FILE NAME 档案名称 LAS1-AGQ-E.DWG	SHEET 张 1 / 1	REV. 更改 1