

P/N: WTL1X10522

SMD PACKAGE FOR TUNING FORK 32.768KHz

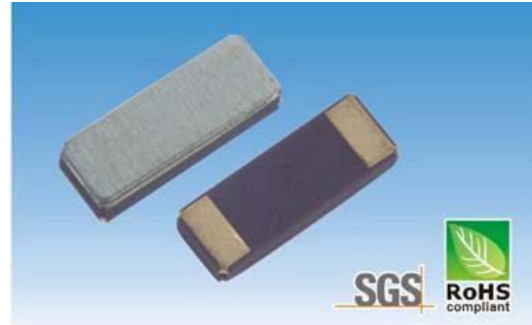


FEATURE

- z Wide Frequency range
- z Small size
- z Tape & Reel
- z Reflow available

APPLICATIONS

- z Microprocessor Systems
- z Consumer Electronics

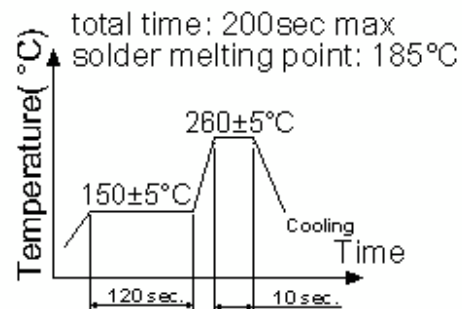
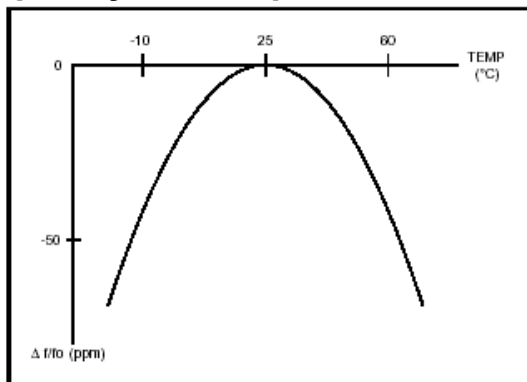


ELECTRICAL SPECIFICATIONS

Frequency	32.768KHz
Frequency Tolerance (at 25°C)	±20ppm
ESR	70Kohm Max
Turnover Temperature	25 ± 5°C
Frequency Temperature Curve	-0.035(±0.006)ppm/°C ²
Storage Temperature Range	-55 °C to +125 °C
Operable Temperature Range	-40 °C to + 85 °C
Shunt Capacitance (C0)	1.2pF Typ
Dynamic Capacitance (C1)	2.4fF Typ
Driver Level (Typical)	1 μW Max
Load Capacitance(C _L)	7 pF
Aging @25°C 1 st year (Max)	±3ppm/year

REMARK: SPECIFICATIONS SUBJECT TO CHANGE WITHOUT PRIOR NOTICE. PLEASE CONFIRM WITH OUR SALES ENGINEER.

Frequency VS Temperature Curve & Re-flow condition



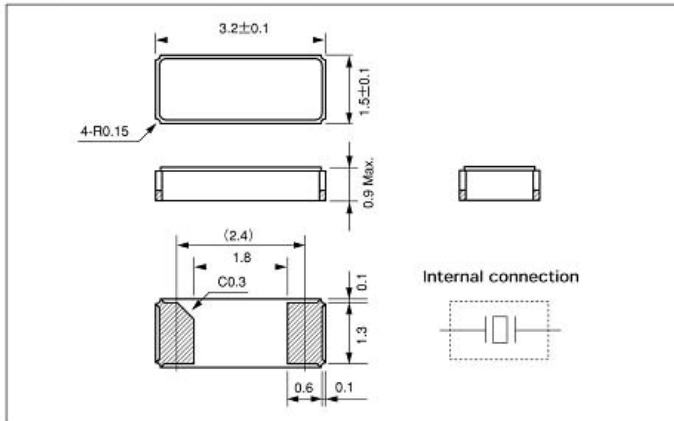
P/N: WTL1X10522

SMD PACKAGE FOR TUNING FORK 32.768KHz



PACKING AND DIMENSIONS

■ DIMENSION [mm]



■ SOLDER PAD LAYOUT [mm]

