

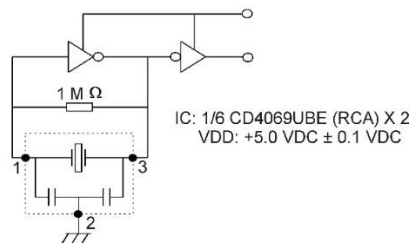
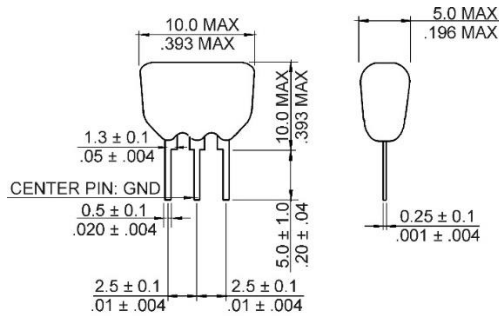
ELECTRICAL SPECIFICATIONS

PARAMETER	VALUE
NOMINAL FREQUENCY	4.000 MHz
FREQUENCY TOLERANCE AT 25°C	± 0.5%
FREQUENCY STABILITY OVER TEMPERATURE	± 0.3%
OPERATING TEMPERATURE RANGE	-20°C to +80°C
AGING (OVER 10 YEARS)	± 0.3%
RESONANT IMPEDANCE MAX	30 Ω max
INPUT VOLTAGE	100 VDC, 5 sec max
BUILT-IN CAPACITANCE (C1=C2)	30 pF ± 20%
INSULATION RESISTANCE MIN	100 MΩ
RATING DC VOLTAGE	6V DC
RATING AC VOLTAGE	15 V _{P-P} AC
STORAGE TEMPERATURE RANGE	-30° to +85°C
PACKAGING	Tape and Box



Photo is not actual part

DIMENSIONS



APPROVAL

RALTRON	
DRAWN BY:	YG Jiao, May 31, 2018
APPROVED BY:	AG, May 31, 2018
REVISION:	A, Initial Release

Raltron Electronics / RAMI Technology USA, LLC, including its affiliates, employees, agents and other persons acting on its behalf (collectively Raltron/RAMI Tech), disclaim any and all liability for any errors or inaccuracies contained in this data sheet. While Raltron/RAMI Tech has made every reasonable effort ensure the accuracy of all product information, specifications and data contained herein, Raltron/RAMI Tech does not guarantee that the information is accurate, reliable or current. The product information is provided only for reference purposes only and is subject to change, correction or revision, at any time without notice. Raltron/RAMI Tech does not assume any liability arising out of an application or use of any product described herein and disclaims any warranties expressed or implied. The user of products in such applications shall assume all risks of such use and will agree to hold Raltron/RAMI Tech, harmless against all damages.

Copyright © 2016, Raltron Electronics / RAMI Technology USA, LLC. All rights reserved. No part of this document may be reproduced in any form without the prior written permission of Raltron Electronics / RAMI Technology USA, LLC.