

### Features

- External dimensions: 20.4 x 12.8 x 5.3 mm.
- Frequency range: 1MHz ~ 100MHz.
- All metal welded package.
- Builtin CMOS IC with tristate function.

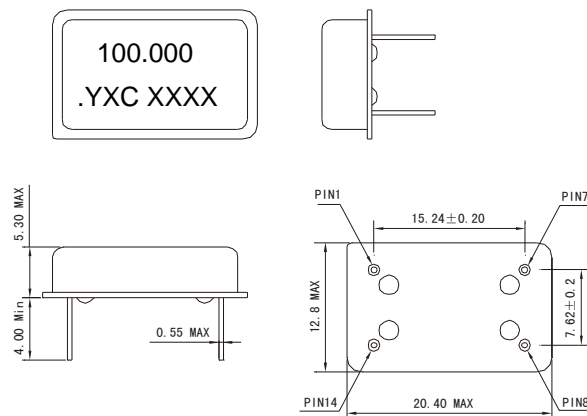
### Applications

- Monitor, computers, wireless lan card & wire, CDplayer, HDD, Work station.

### Electrical Specifications

| Item / Type                         | YSO1512SR              |
|-------------------------------------|------------------------|
| Output Frequency Range              | 10 MHz                 |
| Output Type                         | CMOS                   |
| Supply Voltage                      | 3.3V                   |
| Oscillation Mode                    | Fundamental            |
| Frequency Tolerance                 | ± 20ppm                |
| Output Load                         | 15 pF                  |
| Operating Temperature Range         | - 20 ~ + 70 °C ,       |
| Storage Temperature Range           | - 40 ~ + 85 °C         |
| Voltage Vol ( Max. ) / Vol ( Min. ) | 90%Vdd min./10%Vdd max |
| Symmetry                            | 40 ~ 60 % Standard     |
| Rise ( Tr ) / Fall ( Tf ) Time      | 10 ns Max.             |
| Start-up Time                       | 10 ms Max.             |
| Supply Current                      | 30 mA Max. (<50MHz)    |
| Frequency Aging ( at 25 °C )        | ± 3 ppm / year Max.    |

### Dimensions



| 引脚 | 功能     | 定义       |
|----|--------|----------|
| 1  | E/D    | 三态 / 无三态 |
| 7  | GND    | 接地       |
| 8  | OUTPUT | 输出       |
| 14 | Vdd    | 电源电压     |

Units: mm



O1512D10MEDA4SC  
**YSO1512SR**



★ **PART NUMBER GUIDE**

e.g. O1512D10MEDA4SC

YSO1512SR=20.4×12.8 SMD SEAM TYPE

| Quartz Crystal Oscillator | Dimensions | Frequency (Hz) | Supply voltage (V) | Frequency Stability Overall (ppm) | output | Pin | Material | Operating Temp. Range |
|---------------------------|------------|----------------|--------------------|-----------------------------------|--------|-----|----------|-----------------------|
| O                         | 1512D      | 10M            | E                  | D                                 | A      | 4   | S        | C                     |

★ **INPUT CURRENT**

| Vdc=5.0V          |           | Vdc=1.8~3.3V      |          |
|-------------------|-----------|-------------------|----------|
| 15pF only         |           | 15pF only         |          |
| 1.0 ~ 35.999 MHz  | 25 mA max | 1.0 ~ 35.999 MHz  | 20mA max |
| 36.0 ~ 69.999 MHz | 60mA max  | 36.0 ~ 69.999 MHz | 40mA max |
| 70.0 ~ 100 MHz    | 80mA max  | 70.0 ~ 100 MHz    | 60mA max |

★ **Test Circuit**

