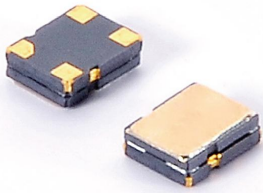


**TCXO**



**4 Pad Version 2.0×1.6 mm**

- ±0.5~±2.5 ppm stability
- Ultra-miniature package
- Clipped sine wave
- Low power consumption
- Reflow soldering temperature: 260°C max



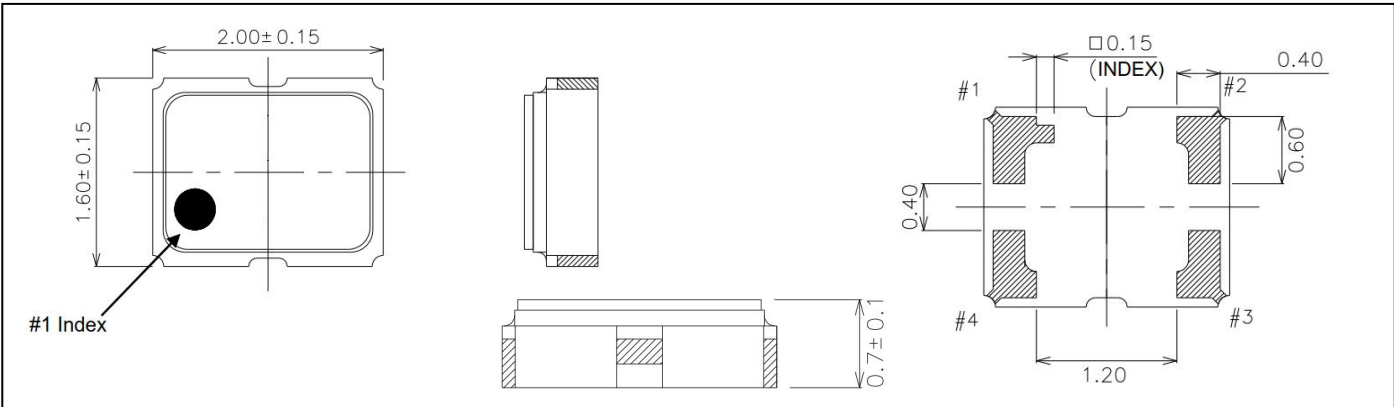
RoHS compliant

**★ PARAMETERS**

| PARAMETERS            | SPECIFICATION  |              |
|-----------------------|--|--------------|
| Frequency Range       | 13.0~50.0MHz   |              |
| Supply Voltage        | 1.8V、2.5V、2.8V、3.3V                                    |              |
| Supply Current        | 13MHz≤F0≤26MHz: 1.5mA max<br>26MHz<F0≤50MHz: 2.0mA max |              |
| Frequency Tolerance   | ±1.0ppm、±1.5ppm、±2.0ppm                                |              |
| Frequency Stability   | Vs Temperature (ref. to +25°C)                         | ±0.5~±2.5ppm |
|                       | Vs Supply voltage change (±5%)                         | ±0.2ppm      |
|                       | Vs Load change (±10%)                                  | ±0.2ppm      |
|                       | Vs Aging (1 <sup>st</sup> Year ,25±2°C)                | ±1.0ppm      |
| Operating Temp. Range | -30~+85°C、-40~+85°C                                    |              |
| Storage Temp. Range   | -55~+125°C   |              |
| Output Waveform:      | Clipped Sine Wave                                      |              |
| Output Level:         | 0.8 Vp-p Min (Clipped Sine Wave)                       |              |
| Output Load           | 10K Ω //10pF   |              |
| Symmetry              | 45% ~ 55% typ. at 0.5×Vdc                              |              |
| Start-up Time         | 2.0mS max  |              |
| Phase Noise           | -115 dBc/Hz max @100Hz offset                          |              |
|                       | -135 dBc/Hz max @1KHz offset                           |              |
|                       | -148 dBc/Hz max @10KHz offset                          |              |

⊙ All specification subject change without notice.

**★ DIMENSIONS& LAND PATTERN LAYOUT (Unit: mm)**

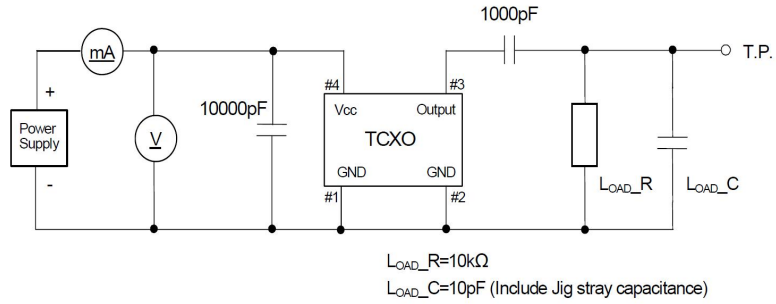


**★ PART NUMBER GUIDE** e.g. FTO26.000M3.0SM2A- 1.0/2.5C (\*SM2=2.0×1.6 SMD TYPE)

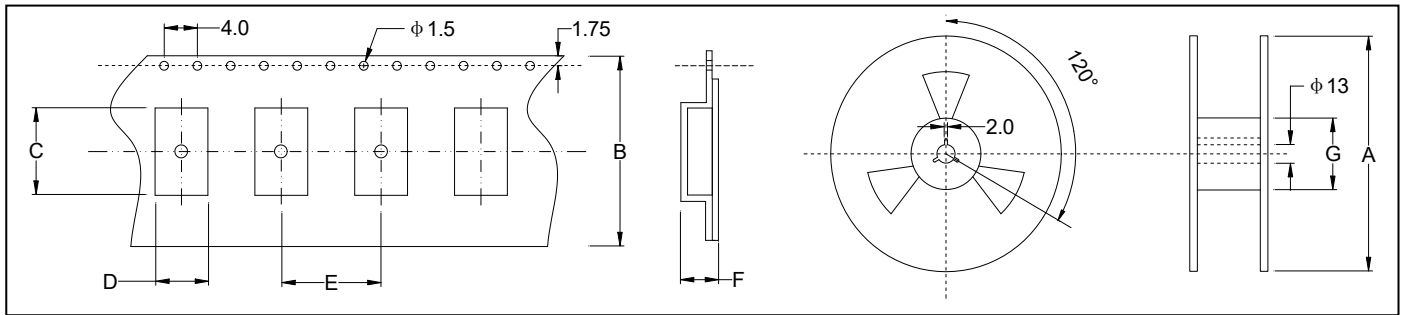
| Logo | TCXO | Frequency | Supply voltage<br>v | Package | Frequency Tolerance<br>ppm | Frequency Stability<br>ppm | Operating Temp.<br>工作温度 |
|------|------|-----------|---------------------|---------|----------------------------|----------------------------|-------------------------|
| F    | TO   | 26.000M   | 3.0                 | SM2A    | 1.0                        | 2.5                        | C                       |

| Definition      | Description                  |
|-----------------|------------------------------|
| Operating Temp. | <b>A:</b> -10~+70°C          |
|                 | <b>B:</b> -20~+80°C          |
|                 | <b>C:</b> -30~+85°C          |
|                 | <b>D:</b> -40~+85°C          |
|                 | <b>E:</b> Customer specified |

★ TEST CIRCUIT

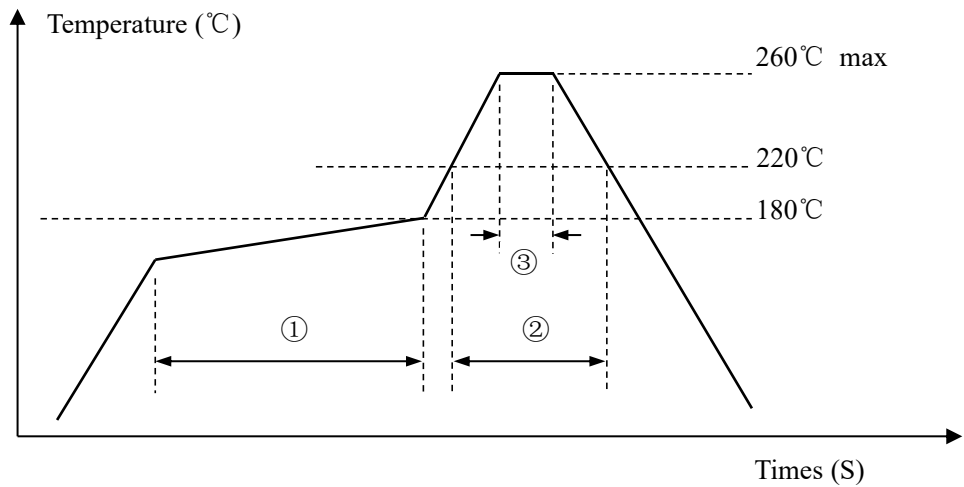


★ TAPING SPECIFICATION (Unit: mm)



|                   | A       | B       | C         | D         | E       | F        | G        |
|-------------------|---------|---------|-----------|-----------|---------|----------|----------|
| OSC-SMD2016       | 180±2.0 | 8.0±0.3 | 2.25±0.10 | 1.85±0.10 | 4.0±0.1 | 0.95±0.1 | 60.5±1.0 |
| 3000 pcs per reel |         |         |           |           |         |          |          |

★ REFLOW SOLDERING PROFILE



|                     |   |              |           |             |
|---------------------|---|--------------|-----------|-------------|
| Pb free reflow<br>A | ① | Preheat      | 160~180°C | 120sec. max |
|                     | ② | Primary heat | 220°C     | 60sec. max  |
|                     | ③ | Peak         | 260°C     | 10sec. max. |