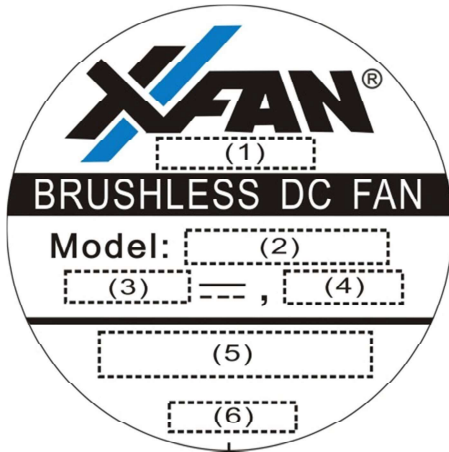


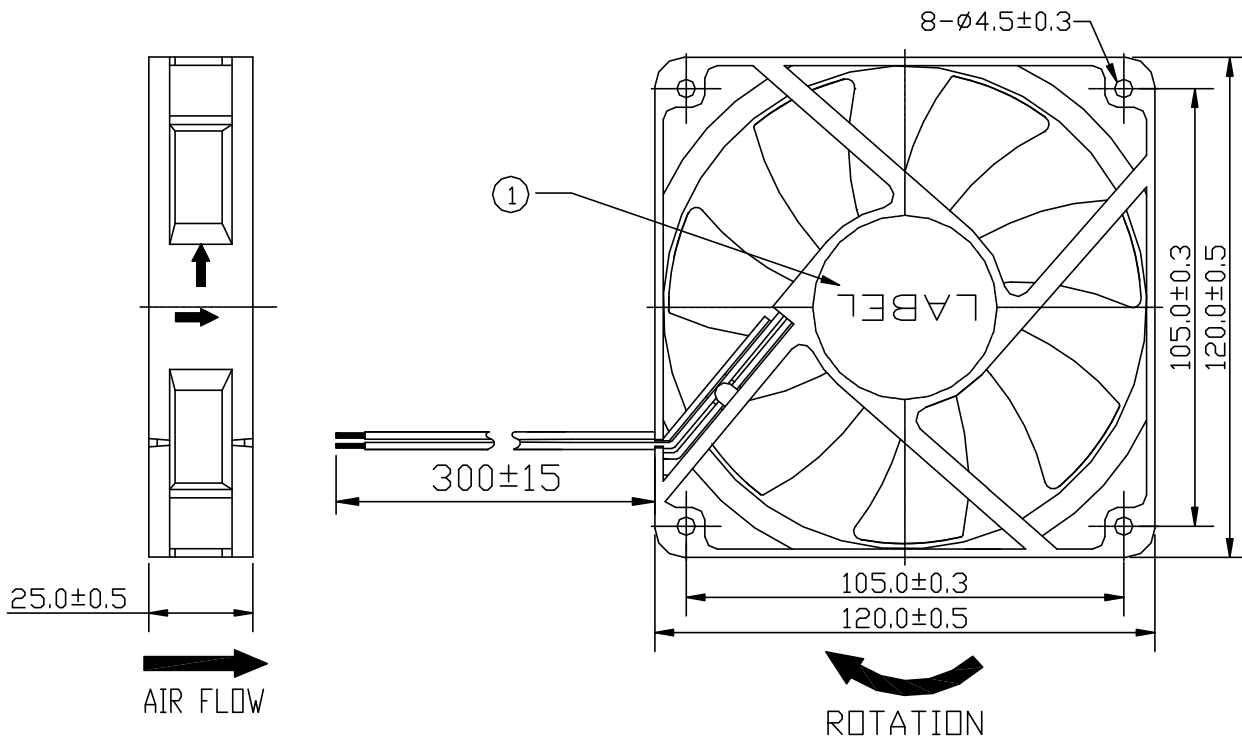
9. Label



|     |                  |
|-----|------------------|
| (1) | Date Code        |
| (2) | Model No.        |
| (3) | Voltage          |
| (4) | Current          |
| (5) | Safety Approvals |
| (6) | Location         |

10. Dimension Drawing

Unit: mm



Lead Wire :UL1007, 24AWG; Red Positive(+); Black Negative(-)

| No. | Qty | Part Name | Description |
|-----|-----|-----------|-------------|
| ①   | 1   | Label     |             |