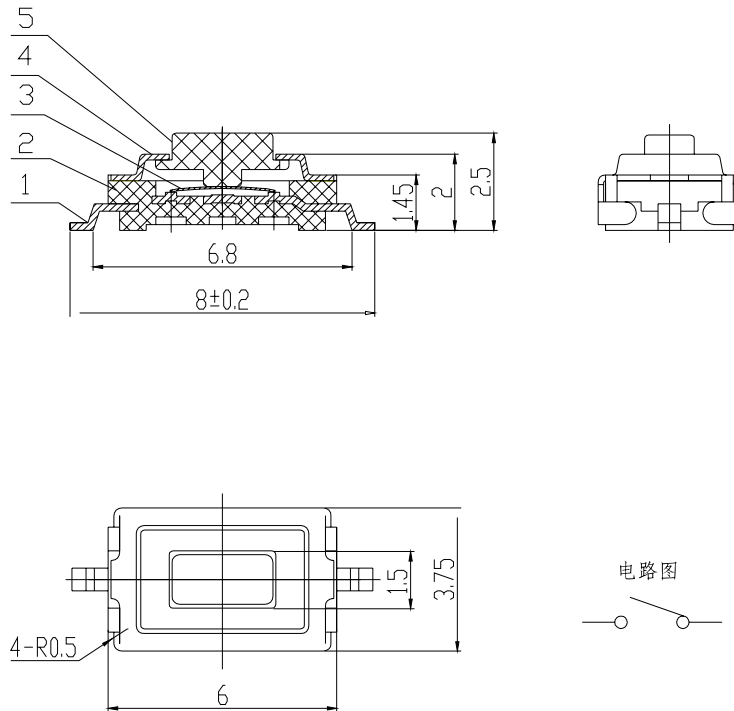


APPROVAL SPECIFICATIONS

CUSTOMER	CUSTOMER'S P/N	GYE'S P/N	PRODUCT	REVISION
		KAN0441B	TACT SWITCH	B



General tolerance: ± 0.1 mm

NO.	NAME	MATERIAL	NATIONALITY	QTY.	FINISHING
1	TERMINAL	Phosphor bronze	China	1	Silver plating
2	CASE	FR52	USA	1	White
3	CONTACT	STS 301R	Korea	1	Contact side silver plating
4	COVER	SUS 301	China	1	
5	STEM	FR52	USA	1	Red

APPROVE BY	黄蜀东 09.10.25	CHECKED BY	关林 09.10.25	PRPARE BY	曹盖 09.10.25
------------	--------------	------------	-------------	-----------	-------------