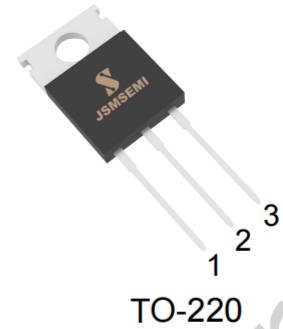


FEATURES

- Output current in excess of 1.5 A
- Output voltage of 5V
- Internal thermal overload protection
- Output transition Safe-Area compensation
- 100% avalanche tested
- Minimum Lot-to-Lot variations for robust device performance and reliable operation



PIN 1, Ground
 2, Input
 3, Output
 TO-220C package

ABSOLUTE MAXIMUM RATINGS(T_a=25°C)

SYMBOL	PARAMETER	RATING	UNIT
V _i	DC input voltage	-35	V
I _o	Output current	internally limited	
P _{tot}	Power dissipation	internally limited	
T _{OP}	Operating junction temperature	0~125	°C
T _{stg}	Storage temperature	-55~150	°C

THERMAL CHARACTERISTICS

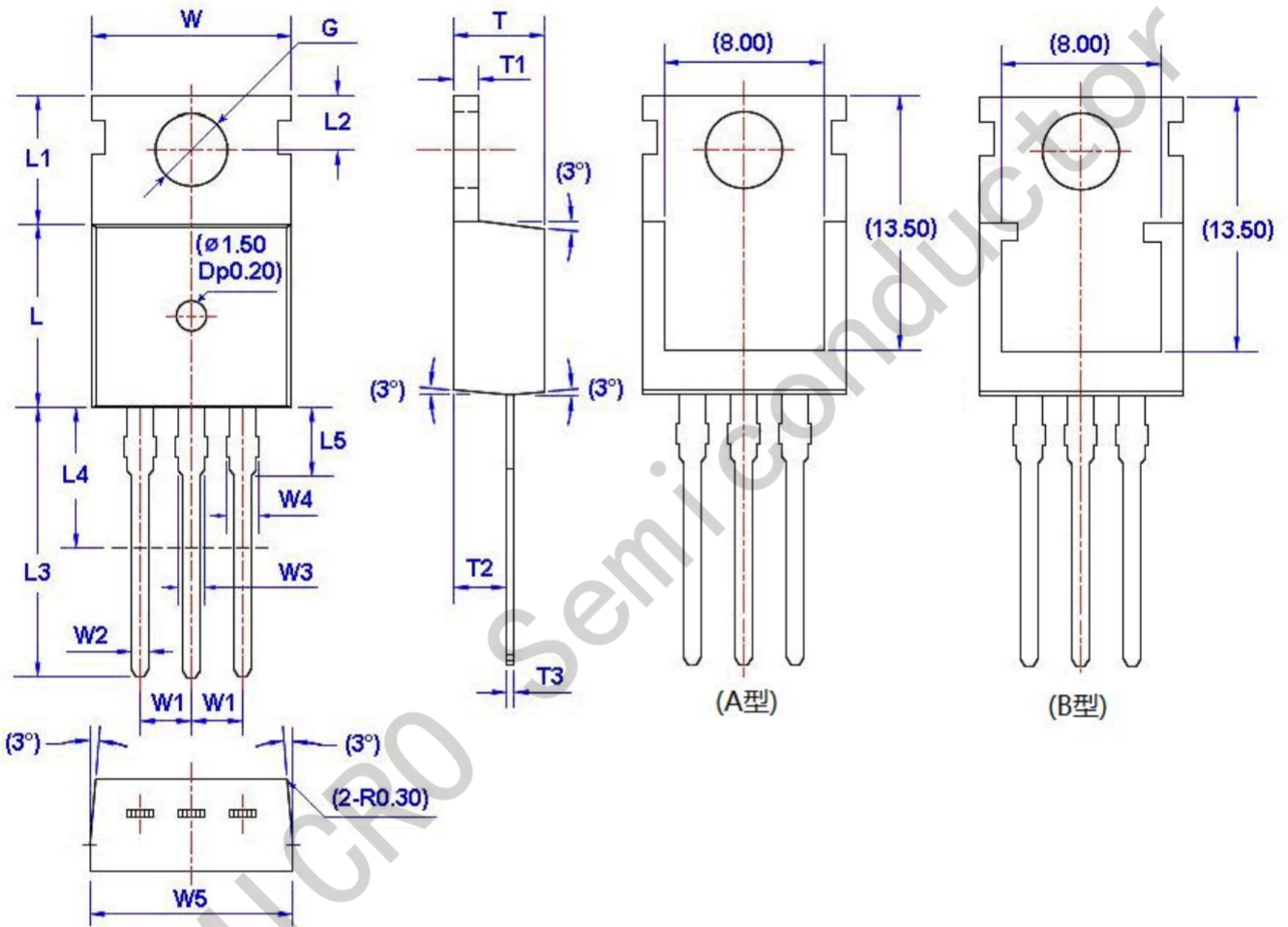
SYMBOL	PARAMETER	MAX	UNIT
R _{th j-c}	Thermal Resistance, Junction to Case	3	°C/W
R _{th j-a}	Thermal Resistance, Junction to Ambient	50	°C/W

• ELECTRICAL CHARACTERISTICS
 $T_j=25^{\circ}\text{C}$ ($V_i=-10\text{V}$, $I_o=0.5\text{A}$, $C_i=0.33\mu\text{F}$, $C_o=0.1\mu\text{F}$ unless otherwise specified)

SYMBOL	PARAMETER	CONDITIONS	MIN	MAX	UNIT
V_o	Output Voltage	$V_{in}=10\text{V}$; $I_o=500\text{mA}$	-4.8	-5.2	V
V_o	Output Voltage	$I_o=-5\text{mA}$ to -1A ; $V_{in}=-8\text{V}$ to -20V	-4.75	-5.25	V
ΔV_v	Line Regulation	$7\text{V}\leq V_{in}\leq 25\text{V}$; $I_o=0.5\text{A}$		100	mV
ΔV_i	Load Regulation	$5.0\text{mA}\leq I_o\leq 1.5\text{A}$; $V_{in}=10\text{V}$		100	mV
I_q	Quiescent Current	$V_{in}=10\text{V}$; $I_o=1.0\text{A}$		6.0	mA
Δ_{q1}	Quiescent Current Change	$5.0\text{mA}\leq I_o\leq 1.0\text{A}$; $V_{in}=10\text{V}$		0.5	mA
Δ_{q2}	Quiescent Current Change	$8\text{V}\leq V_{in}\leq 25\text{V}$; $I_o=500\text{mA}$		1.3	mA

Package Information

TO-220



Unit: mm

Symbol	Size		Symbol	Size		Symbol	Size		Symbol	Size	
	Min	Max		Min	Max		Min	Max		Min	Max
W	9.66	10.28	W5	9.80	10.20	L4**	6.20	6.60	T3	0.45	0.60
W1	2.54 (TYP)		L	9.00	9.40	L5	2.79	3.30	G(Φ)	3.50	3.70
W2	0.70	0.95	L1	6.40	6.80	T	4.30	4.70			
W3	1.17	1.37	L2	2.70	2.90	T1	1.15	1.40			
W4*	1.32	1.72	L3	12.70	14.27	T2	2.20	2.60			