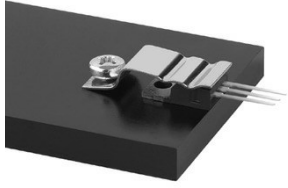


Data sheet Product THFK 220

 [Print data sheet](#)  [Recommend page](#)

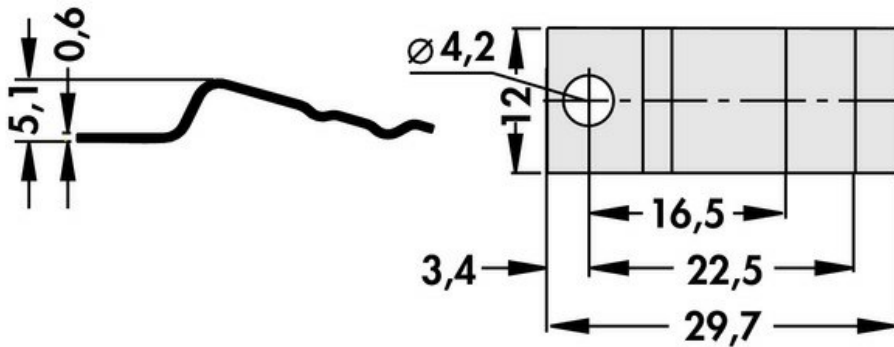
Profile heatsinks and fluid coolers >Retaining springs for transistors
for transistor-design TO 220



Features

type of mounting:	screw mounting
for transistor-housing:	TO 220
spring force:	79 N
material:	stainless steel

Technical Drawing



Fischer Elektronik GmbH & Co. KG
DEUTSCHLAND • GERMANY • ALLEMAGNE

Nottebohmstraße 28
58511 Lüdenscheid

Telefon +49 2351 435-0
Telefax +49 2351 45754

info@fischerelektronik.de
www.fischerelektronik.de