

描述 / Descriptions

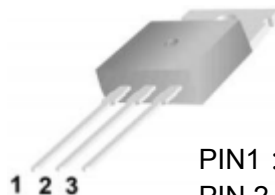
TO-220 塑封封装 双向可控硅。
 Triac in a TO-220 Plastic Package.

特征 / Features

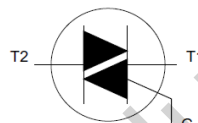
采用玻璃钝化技术，采用环氧塑脂塑料封装，四个信号区都可以满足高灵敏度需要。
 glass passivated, sensitive gate triacs in a plastic envelope, where high sensitivity is required in all four quadrants.

用途 / Applications

用于一般双向开关和相位控制。
 Use in general purpose bidirectional switching and phase control applications.



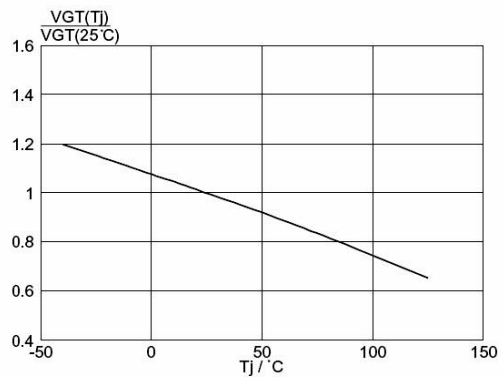
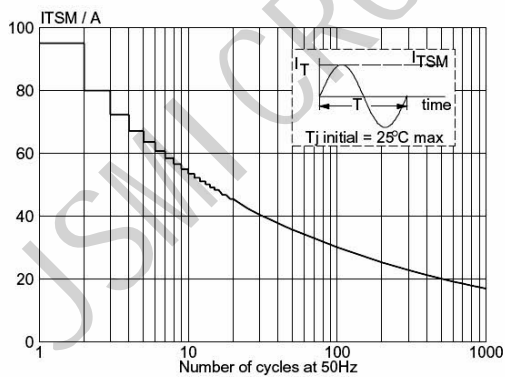
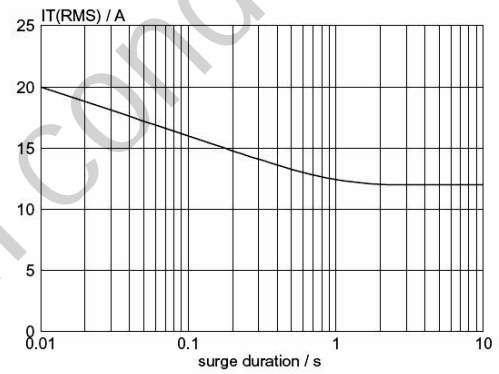
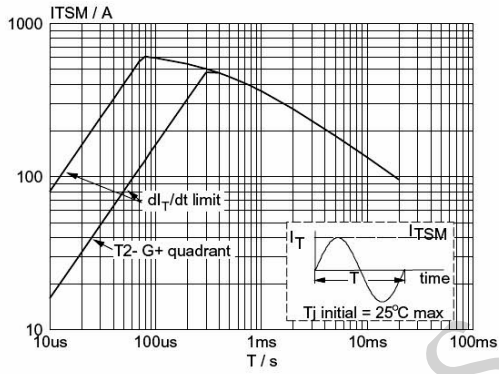
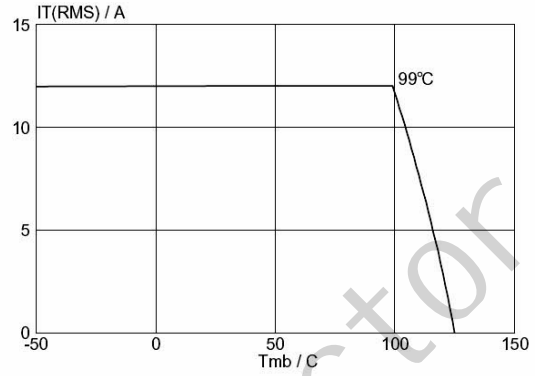
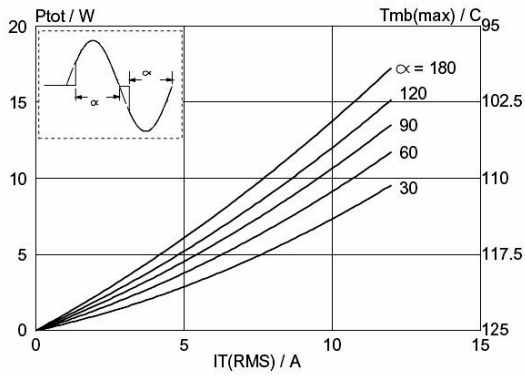
PIN1 : Main Terminal 1
 PIN 2 : Main Terminal 2
 PIN 3 : Gate


极限参数 / Absolute Maximum Ratings(Ta=25°C)

参数 Parameter	符号 Symbol	数值 Rating		单位 Unit
		600	800	
Repetitive peak off-state voltages	V_{DRM} (T _J =25°C)	600	800	V
RMS on-state current	$I_{T(RMS)}$	12		A
Non-repetitive peak on-state current	$I_{TSM}(t=20ms)$	95		A
Non-repetitive peak on-state current	$I_{TSM}(t=16.7ms)$	105		A
I_t^2 for fusing	$I_t^2 t(t=10ms)$	45		A ² S
Repetitive rate of rise of on-state current after triggering	$I_{TM}=12A$ $I_G=0.2A$ $dI_G/dt=0.2A/\mu s$	T2+G+	50	A/μS
		T2+G-	50	A/μS
		T2-G-	50	A/μS
		T2-G+	10	A/μS
Peak gate current	I_{GM}	2.0		A
Peak gate voltages	V_{GM}	5.0		V
Peak gate power	P_{GM}	5.0		W
Average gate power (Over any 20 ms period)	$P_{G(AV)}$	0.5		W
Junction Temperature	T_j	125		°C
Storage Temperature Range	T_{stg}	-40~150		°C
Thermal resistance junction to ambient	$R_{th(j-a)}$	60		K/W
Thermal resistance junction to mounting base	$R_{th(j-b)}$	1.5		K/W

电性能参数 / Electrical Characteristics(Ta=25°C)

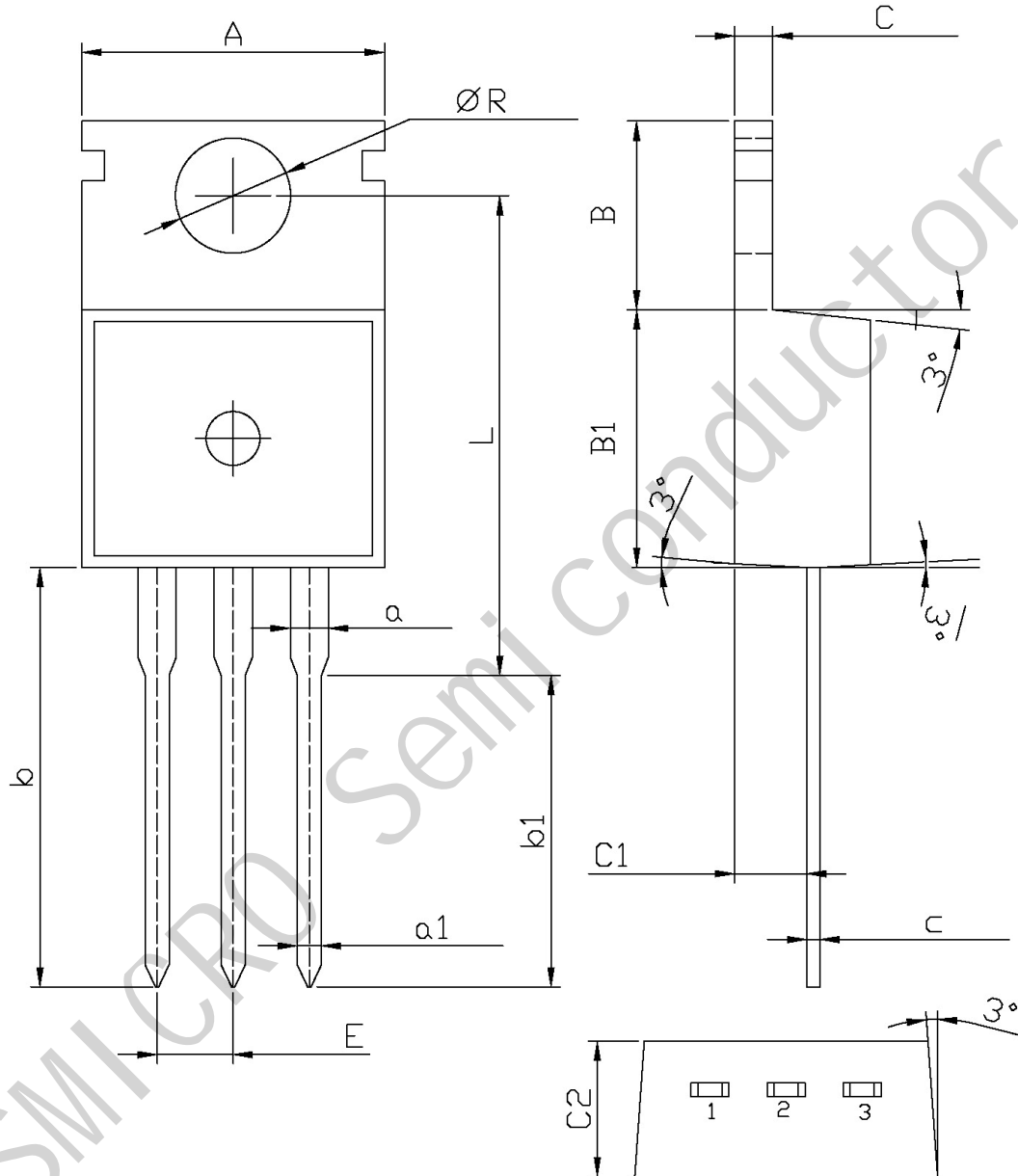
参数 Parameter	符号 Symbol	测试条件 Test Conditions	最小值 Min	典型值 Typ	最大值 Max	单位 Unit	
Gate trigger current	I_{GT}	$V_D=12V$ $I_T=0.1A$	T2+G+		2.5	10	mA
			T2+G-		4	10	
			T2-G-		5	10	
			T2-G+		11	25	
Latching current	I_L	$V_D=12V$ $I_G=0.1A$	T2+G+			30	mA
			T2+G-			40	
			T2-G-			30	
			T2-G+			40	
Holding current	I_H	$V_D=12V$ $I_G=0.1A$			30	mA	
On-state voltage	V_T	$I_T=15A$		1.4	1.65	V	
Gate trigger voltage	V_{GT}	$V_D=12V$ $I_T=0.1A$		0.7	1.5	V	
		$V_D=400V$ $I_T=0.1A$, $T_J=125^\circ C$	0.25	0.4			
Off-state leakage current	I_D	$V_D=V_{DRM(max)}$ $T_J=125^\circ C$		0.1	0.5	mA	
Critical rate of rise of off-state current	t_{gt}	$I_{TM}=16A$ $V_D=V_{DRM(max)}$ $I_G=0.1A$ $di_g/dt=5A/\mu s$		2.0		μs	
Repetitive peak off-state current	dV_D/dt	$V_{DM}=67\% V_{DRM(MAX)}$ $T_J=125^\circ C$		150		V/ μs	

电参数曲线图 / Electrical Characteristic Curve


外形尺寸图 / Package Dimensions

TO-220

单位: mm



Symbol	Dimensions In Millimeters		Symbol	Dimensions In Millimeters	
	Min	Max		Min	Max
A	9.8	10.2	C	1.2	1.4
R	3.56	3.64	B	6.3	6.7
L	15.7	16.1	B1	9.0	9.4
b	12.6	13.6	C1	2.2	2.6
b1	9.6	10.6	a1	0.7	0.9
a	1.22	1.32	c	0.4	0.6
E	2.34	2.74	C2	4.3	4.7