



FEATURES:

- Regulated Single Output
- Continuous Short Circuit Protection
- RoHS Compliant
- MTBF>1,500,000 hours
- 1000VDC Isolation
- Operating temperature: -40°C to +85°C
- Industry Standard Pinout
- 14 Pin DIP Package



Models
Single output

Model	Input Voltage (V)	Output Voltage (V)	Output Current max (mA)	Isolation (VDC)	Max Capacitive Load (uF)	Efficiency (%)
AM1MR-0503SZ	4.5-5.5	3.3	303	1000	220	55
AM1MR-0505SZ	4.5-5.5	5	200	1000	220	64
AM1MR-0507SZ	4.5-5.5	7.2	139	1000	220	64
AM1MR-0509SZ	4.5-5.5	9	111	1000	220	65
AM1MR-0512SZ	4.5-5.5	12	83	1000	220	66
AM1MR-0515SZ	4.5-5.5	15	67	1000	220	66
AM1MR-1203SZ	10.8-13.2	3.3	303	1000	220	56
AM1MR-1205SZ	10.8-13.2	5	200	1000	220	64
AM1MR-1207SZ	10.8-13.2	7.2	139	1000	220	65
AM1MR-1209SZ	10.8-13.2	9	111	1000	220	66
AM1MR-1212SZ	10.8-13.2	12	83	1000	220	66
AM1MR-1215SZ	10.8-13.2	15	67	1000	220	68
AM1MR-2403SZ	21.6- 26.4	3.3	303	1000	220	56
AM1MR-2405SZ	21.6- 26.4	5	200	1000	220	63
AM1MR-2407SZ	21.6- 26.4	7.2	139	1000	220	65
AM1MR-2409SZ	21.6- 26.4	9	111	1000	220	66
AM1MR-2412SZ	21.6- 26.4	12	83	1000	220	67
AM1MR-2415SZ	21.6- 26.4	15	67	1000	220	67

NOTE: All specifications in this datasheet are measured at an ambient temperature of 25°C, humidity<75%, nominal input voltage and at rated output load unless otherwise specified.

Input Specifications

Parameters	Nominal	Typical	Maximum	Units
Voltage range	5	4.5- 5.5		VDC
	12	10.8-13.2		
	24	21.6- 26.4		
Filter	Capacitor			
Absolute Maximum Rating (100 ms)	5		7	VDC
	12		15	
	24		28	
Input no load current			35	mA
Input reflected current		20		mA

Isolation Specifications

Parameters	Conditions	Typical	Rated	Units
Tested I/O voltage	3 sec		1000	VDC
Resistance	At 500VDC	>1000		MOhm
Capacitance		60		pF

Output Specifications

Parameters	Conditions	Typical	Maximum	Units
Voltage accuracy		±2		%
Short Circuit protection		Continuous		
Short circuit restart		Auto-Recovery		
Line voltage regulation	LL ~ HL	±0.5		% of Vin

Output Specifications (continued)

Parameters	Conditions	Typical	Maximum	Units
Load voltage regulation	From 0% to 100% Load	±0.5		%
Load voltage regulation (3.3V output)	From 0% to 100% Load	±1		%
Temperature coefficient		±0.02		%/°C
Ripple & Noise	20MHz Bandwidth	50		mV p-p

General Specifications

Parameters	Conditions	Typical	Maximum	Units
Switching frequency		50 (variable)		KHz
Operating temperature	Full Load		-40 to +85	°C
Storage temperature		-40 to +125		°C
Maximum case temperature			100	°C
Cooling		Free Air Convection		
Humidity			95	% RH
Case material		Non-Conductive Plastic (UL94V-0)		
Weight		2.7		g
Dimensions (L x W x H)		20.30 x 10.16 x 6.90 mm (0.80 x 0.40 x 0.27 inches)		
MTBF		>1,500,000hrs dual (MIL-HDBK -217F, Ground Benign, t=+25°C) (too big, may be 1.5M?)		
Maximum soldering temperature	1.5mm from case for 10 sec		260	°C

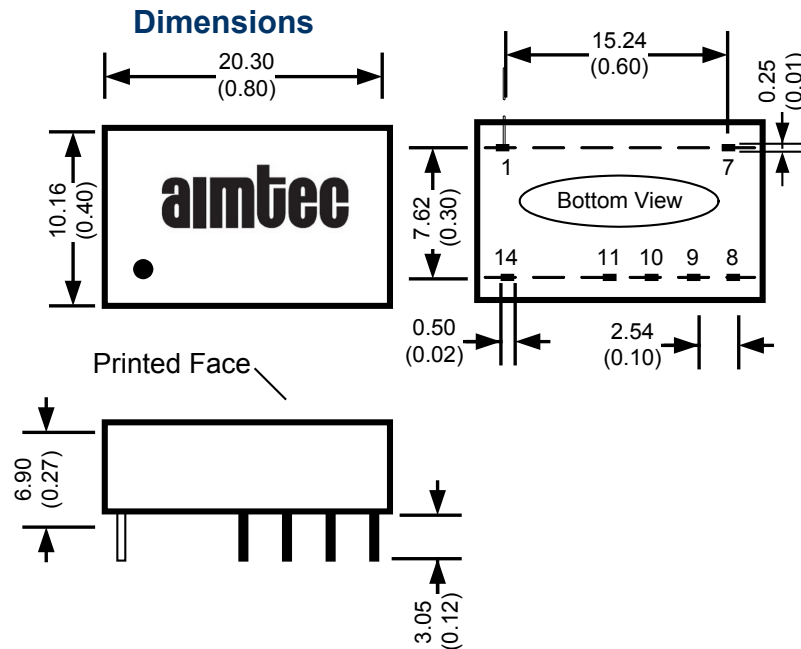
Safety Specifications

Parameters	
Agency Approvals	CE
Safety Standards	EN 55022, Class B IEC61000-4-2 IEC61000-4-3 IEC61000-4-4 IEC61000-4-6 IEC61000-4-8 Also designed to meet IEC 60950-1

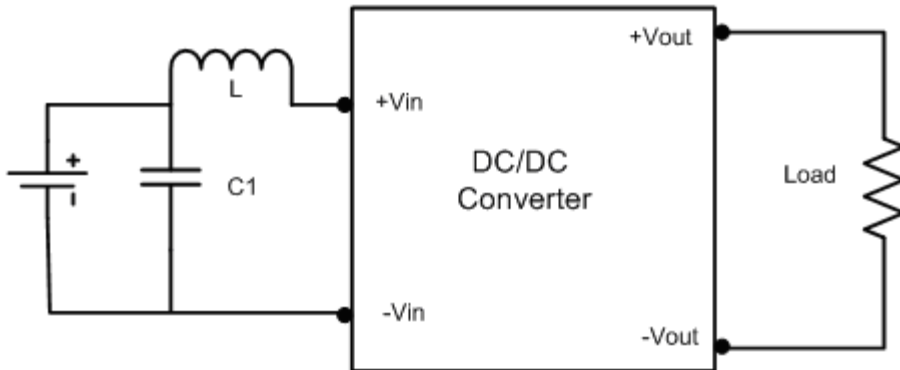
Pin Out Specifications

Pin	Single
1	- V input
7	NC
8	No Pin
9	+ V output
10	No Pin
11	- V output
14	+ V input

NC: No Connection



Radiated and Conducted Emissions Application circuit:



C1	L1
470 μ F/100V	12 μ H

NOTE: **1.** Datasheets are updated as needed and as such, specifications are subject to change without notice. Once printed or downloaded, datasheets are no longer controlled by Aimtec; refer to www.aimtec.com for the most current product specifications. **2.** Product labels shown, including safety agency certifications on labels, may vary based on the date manufactured. **3.** Mechanical drawings and specifications are for reference only. **4.** All specifications are measured at an ambient temperature of 25°C, humidity<75%, nominal input voltage and at rated output load unless otherwise specified. **5.** Aimtec may not have conducted destructive testing or chemical analysis on all internal components and chemicals at the time of publishing this document. CAS numbers and other limited information are considered proprietary and may not be available for release. **6.** This product is not designed for use in critical life support systems, equipment used in hazardous environments, nuclear control systems or other such applications which necessitate specific safety and regulatory standards other the ones listed in this datasheet. **7.** Warranty is in accordance with Aimtec's standard Terms of Sale available at www.aimtec.com.