

DAE-2 SERIES, 2WATT, 1KVDC, UNREGULATED

FEATURES:

- ✓ 3 years warranty
- ✓ 1000Vdc isolation voltage
- ✓ Single, dual, isolated twin output models
- ✓ Operating temperature range -40°C to +85°C



Model	Input voltage (Vdc)	Output voltage (Vdc)	Output current (mA)		Efficiency Typ.
			Min.	Max.	
DAE2-0511	5(4.5~5.5)	5	40	400	80%
DAE2-0512		9	22	220	80%
DAE2-0513		12	16.6	166	80%
DAE2-0514		15	13.6	136	80%
DAE2-0515		24	8.4	84	80%
DAE2-0521		±5	20	200	80%
DAE2-0522		±9	11	110	80%
DAE2-0523		±12	8	80	80%
DAE2-0524		±15	6.8	68	80%
DAE2-0525		±24	4.2	42	80%
DAE2-0501		5, 5	20	200	80%
DAE2-0502		9, 9	11	110	80%
DAE2-0503		12, 12	8	80	80%
DAE2-0504		15, 15	6.8	68	80%
DAE2-0505		24, 24	4.2	42	80%
DAE2-1211	12(10.8~13.2)	5	40	400	80%
DAE2-1212		9	22	220	80%
DAE2-1213		12	16.6	166	80%
DAE2-1214		15	13.6	136	80%
DAE2-1215		24	8.4	84	80%
DAE2-1221		±5	20	200	80%
DAE2-1222		±9	11	110	80%
DAE2-1223		±12	8	80	80%
DAE2-1224		±15	6.8	68	80%
DAE2-1225		±24	4.2	42	80%
DAE2-1201		5, 5	20	200	80%
DAE2-1202		9, 9	11	110	80%
DAE2-1203		12, 12	8	80	80%

DAE-2 SERIES, 2WATT, 1KVDC, UNREGULATED

Model	Input voltage (Vdc)	Output voltage (Vdc)	Output Current (mA)		Efficiency Typ.
			Min.	Max.	
DAE2-1204	12(10.8~13.2)	15, 15	6.8	68	80%
DAE2-1205		24, 24	4.2	42	80%
DAE2-2411	24(21.6~26.4)	5	40	400	80%
DAE2-2412		9	22	220	80%
DAE2-2413		12	16.6	166	80%
DAE2-2414		15	13.6	136	80%
DAE2-2415		24	8.4	84	80%
DAE2-2421		±5	20	200	80%
DAE2-2422		±9	11	110	80%
DAE2-2423		±12	8	80	80%
DAE2-2424		±15	6.8	68	80%
DAE2-2425		±24	4.2	42	80%
DAE2-2401		5, 5	20	200	80%
DAE2-2402		9, 9	11	110	80%
DAE2-2403		12, 12	8	80	80%
DAE2-2404		15, 15	6.8	68	80%
DAE2-2405		24, 24	4.2	42	80%

Notes: other input and output models may available on request.

ELECTRICAL

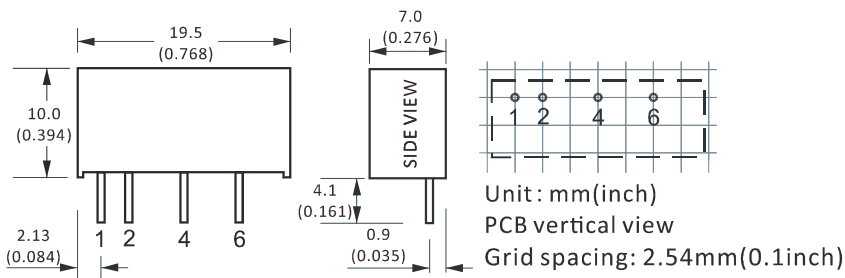
Line regulation	---	±1.2%
Load regulation	10% ~ 100% full load	±15% max.
Ripple and noise	---	100mVp-p max.
Isolation voltage	---	1000Vdc
Operating temperature range	---	-40°C to +85°C
MTBF	---	3.5x10 ⁶ Hrs

Notes: All the data in this article are under test with "TA+25°C, humidity<75%, rated input and rated load" mode.

DAE-2 SERIES, 2WATT, 1KVDC, UNREGULATED

MECHANICAL

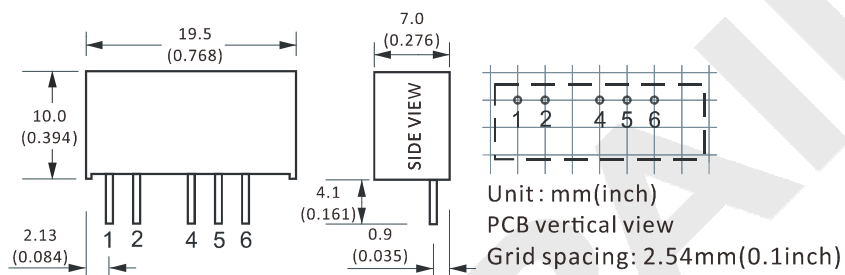
Single output



CONNECTION

PIN #	ISOLATE		
	SINGLE	DUAL	D TWIN
1	+Vin	+Vin	+Vin
2	GND	GND	GND
4	-Vo	-Vo	-Vo1
5	No Pin	COM	+Vo1
6	+Vo	+Vo	-Vo2
7	No Pin	No Pin	+Vo2

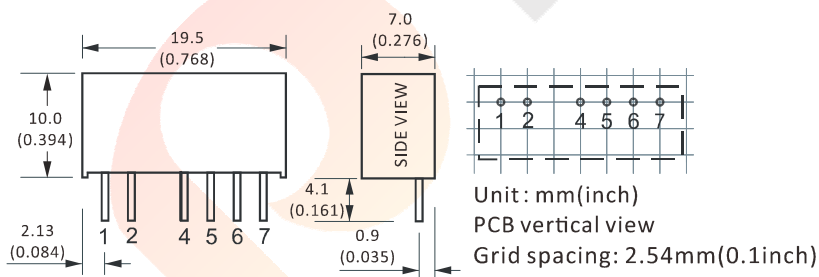
Dual output

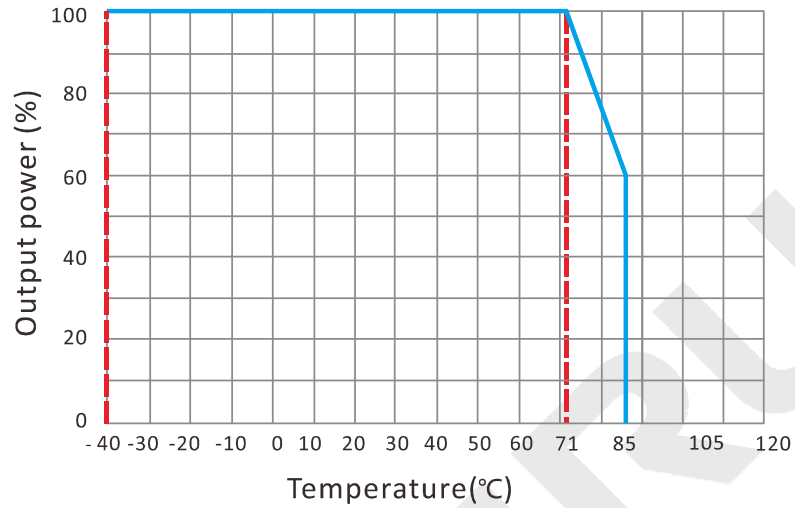


Note:

* Unit is mm(inch).

Isolated twin output

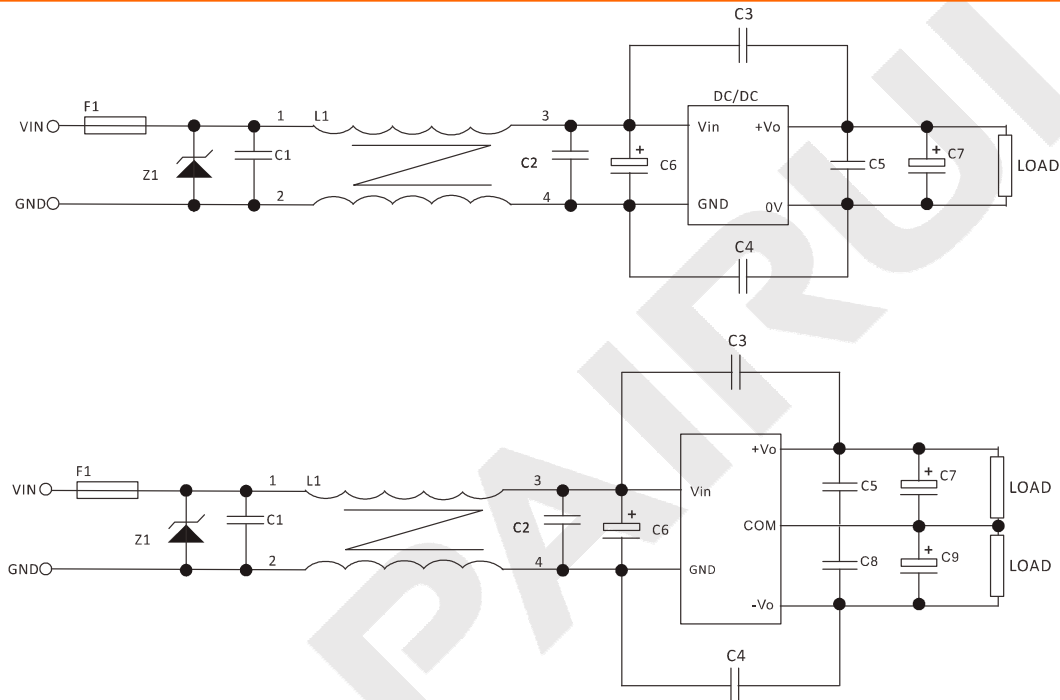


DAE-2 SERIES, 2WATT, 1KVDC, UNREGULATED
TEMPERATURE PROFILE

CAPACITIVE LOADS SELECTION

Vin (Vdc)	Cin (μF)	Single Output Voltage (Vdc)	Cout (μF)	Dual Output Voltage (Vdc)	Cout (μF)
5	4.7	5	10	±5	4.7
12	2.2	9	4.7	±9	2.2
24	1	12	2.2	±12	1
-	-	15/24	1	±15	0.47

DAE-2 SERIES, 2WATT, 1KVDC, UNREGULATED
NOTES
RECOMMENDED TEST AND APPLICATION CIRCUIT

In order to ensure the efficiency and dependability of the module, the minimum specified load must be less than 10% of rated load. If the output power is low, we recommend to add an external 10% loading resistor in parallel.



FUSE: depends on the actual input current;

TVS: depends on the actual input voltage;

Recommended capacitor: C1, C2, C5, C8, about 0.1 μ F; for C6, C7, C9, please check the capacitive load; C3, C4: 2KV/1nF.