

DNV-3 SERIES, 3WATT, 2:1 INPUT RANGE
FEATURES:

- ✓ 1500Vdc isolation voltage
- ✓ Metal/Plastic case with low ripple and noise
- ✓ Short circuit and input under voltage protection
- ✓ Operating temperature range -40°C to +85°C
- ✓ 3 year warranty



Model	Input voltage (Vdc)	Output voltage (Vdc)	Output current (mA)	Efficiency Typ.
DNV3-0510	5(4.5~9)	3.3	750	72%
DNV3-0511		5	600	78%
DNV3-0515		9	333	79%
DNV3-0512		12	250	79%
DNV3-0514		15	200	78%
DNV3-0513		24	125	83%
DNV3-0521		±5	300	78%
DNV3-0525		±9	167	79%
DNV3-0522		±12	125	74%
DNV3-0523		±15	100	73%
DNV3-0524		±24	60	76%
DNV3-1210	12(9~18)	3.3	750	72%
DNV3-1211		5	600	78%
DNV3-1215		9	333	81%
DNV3-1212		12	250	80%
DNV3-1214		15	200	80%
DNV3-1213		24	125	81%
DNV3-1221		±5	300	78%
DNV3-1225		±9	167	82%
DNV3-1222		±12	125	82%
DNV3-1223		±15	100	84%
DNV3-1224		±24	60	84%
DNV3-2410	24(18~36)	3.3	750	72%
DNV3-2411		5	600	78%
DNV3-2415		9	333	81%
DNV3-2412		12	250	80%
DNV3-2414		15	200	80%
DNV3-2413		24	125	81%
DNV3-2421		±5	300	78%

DNV-3 SERIES, 3WATT, 2:1 INPUT RANGE

Model	Input voltage (Vdc)	Output voltage (Vdc)	Output current (mA)	Efficiency Typ.
DNV3-2425	24(18~36)	±9	167	82%
DNV3-2422		±12	125	82%
DNV3-2423		±15	100	84%
DNV3-2424		±24	60	84%
DNV3-4811	48(36~72)	5	600	78%
DNV3-4815		9	333	81%
DNV3-4812		12	250	80%
DNV3-4814		15	200	80%
DNV3-4813		24	125	81%
DNV3-4821		±5	300	78%
DNV3-4825		±9	167	82%
DNV3-4822		±12	125	82%
DNV3-4823		±15	100	84%
DNV3-4824		±24	60	84%

Notes:

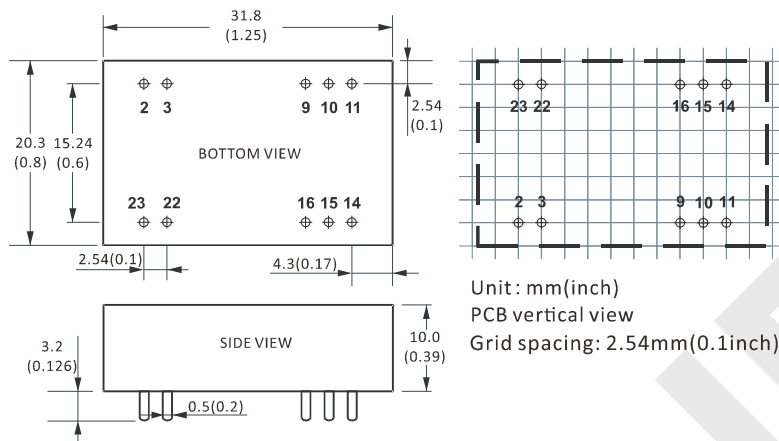
1. other input and output models may available on request;
2. Above models are default to plastic case, you may request for metal case, plus "M" in the suffix;
3. Add suffix -SP for special pin definition.

ELECTRICAL

Output voltage accuracy (Full voltage, full load)	+Vo -Vo	±2% max. ±3% max.
Line regulation	Nominal Load, full voltage	±0.5% max.
Load regulation	20% ~ 100% full load	±2% max.
Ripple and noise	20MHz BM, full load	100mVp-p max.
Operating frequency	Typical value	100KHz typ.
Isolation voltage (<1mA/min)	Input to output	1500Vdc
Isolation resistance	---	1000mΩ
Temperature coefficient	---	±0.03%/°C max.
Operating temperature range	---	-40°C to +85°C
Storage temperature range	---	-55°C to +125°C
Short circuit protection	---	Continuous, auto-recovery
Relative humidity	---	10%-90%
MTBF	Bellcore TR-332, 25°C	1000Khrs
Weight	---	18g

DNV-3 SERIES, 3WATT, 2:1 INPUT RANGE

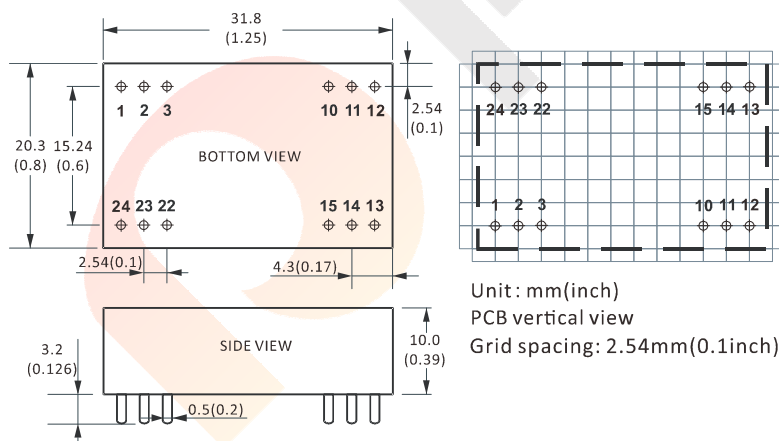
Notes: All the parameters are measured at 25°C ambient temperature, humidity < 75%, nominal input voltage, full load and after warm-up, unless otherwise specified.

MECHANICAL

CONNECTION

PIN #	SINGLE	DUAL
2	GND	GND
3	GND	GND
9	NC	0V
10	No Pin	No Pin
11	NC	-Vo2
14	+Vo	+Vo1
15	No Pin	No Pin
16	0V	0V
22	+Vin	+Vin
23	+Vin	+Vin

Note:

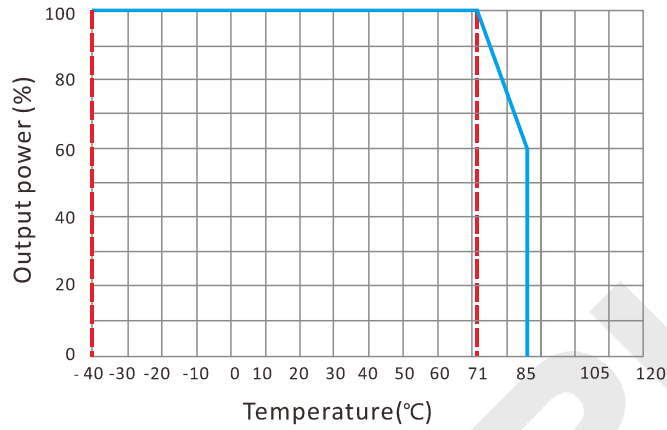
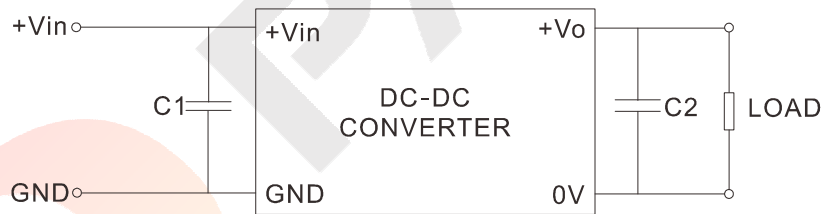
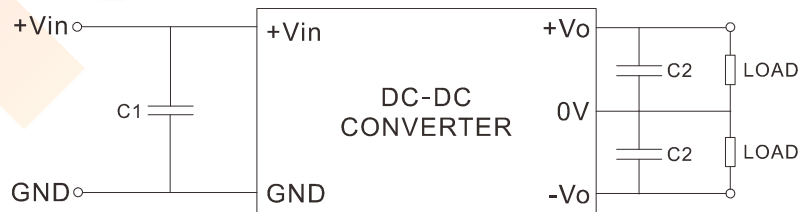
* Unit is mm(inch).


"-SP" CONNECTION

PIN #	SINGLE	DUAL
1	+Vin	+Vin
2	No Pin	-Vo
3	No Pin	0V
10	0V	0V
11	+Vo	+Vo
12	GND	GND
13	GND	GND
14	+Vo	+Vo
15	0V	0V
22	No Pin	0V
23	No Pin	-Vo
24	+Vin	+Vin

Note:

* Unit is mm(inch).

DNV-3 SERIES, 3WATT, 2:1 INPUT RANGE
ELECTRICAL CURVE

NOTES
RECOMMENDED TEST AND APPLICATION CIRCUIT
SINGLE OUTPUT

DUAL OUTPUT


DNV-3 SERIES, 3WATT, 2:1 INPUT RANGE

NOTES

CAPACITOR SELECTION

INPUT VOLTAGE	C1	SINGLE OUTPUT	C2	DUAL OUTPUT	C2
5VDC	100 μ F	5VDC	330 μ F	\pm 5VDC	220 μ F
12VDC	47 μ F	9VDC	220 μ F	\pm 9VDC	100 μ F
24VDC	47 μ F	12VDC	100 μ F	\pm 12VDC	47 μ F
48VDC	10 μ F	15VDC	100 μ F	\pm 15VDC	47 μ F
--	--	24VDC	47 μ F	\pm 24VDC	22 μ F