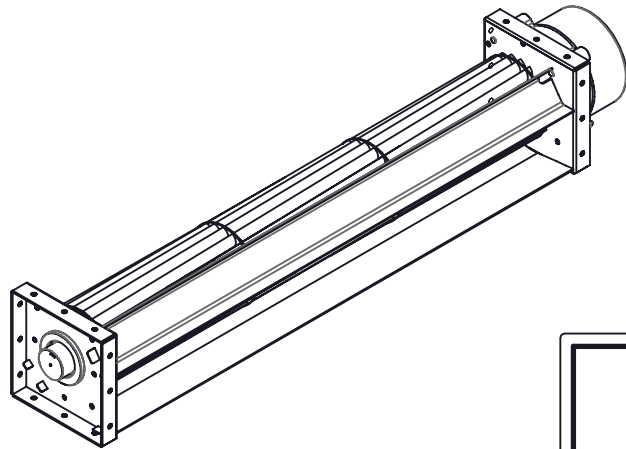
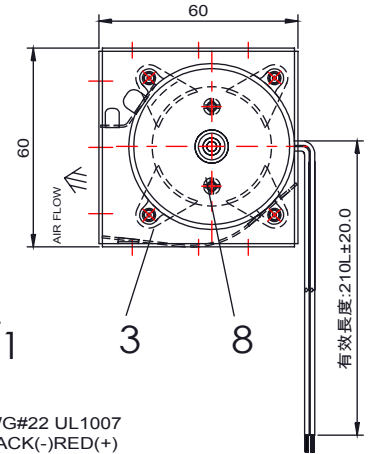
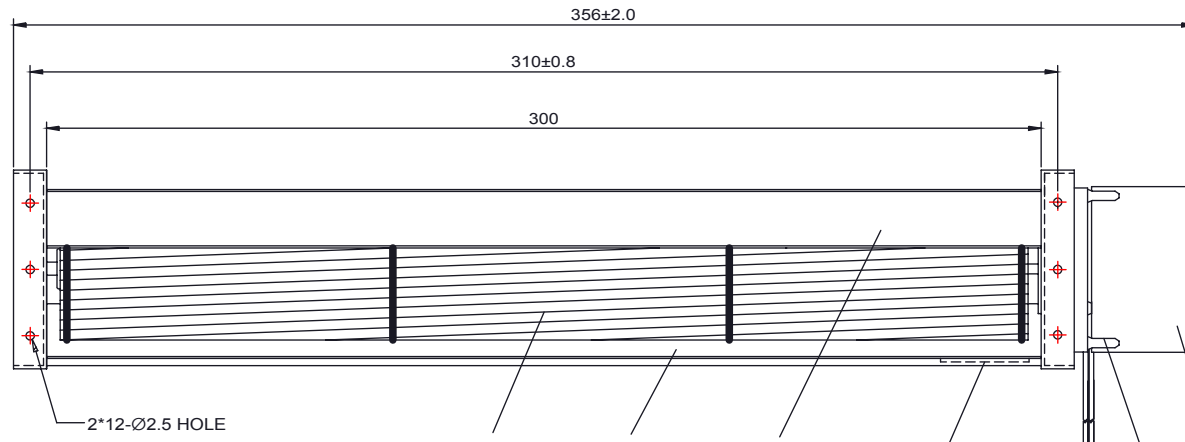
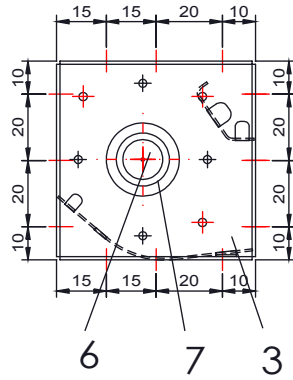


FRAME

REDATE

USER



verify drawing



LABEL

not yet explain a tolerance the size	
grade	B
discriminate	UNDER
6	±0.10
6~18	±0.20
18~50	±0.30
50~120	±0.50
120~250	±0.70
250~400	±0.90
400~630	±1.20

1	10	LABEL		
4	9	RUBBER	C.R.	
2	8	SCREW	STEEL	Ø3-4L TAPPING 2
1	7	BALL BEARING		NMB830ZZ
1	6	RUBBER	EPDM	
1	5	STABILIZER	STEEL	Black Coating 0.6t
1	4	GUIDE WALL	STEEL	Black Coating 0.6t
2	3	SID PLATE	STEEL	Black Coating 1.0t
1	2	FAN	Aluminium	Ø43-290L
1	1	MOTOR		D51AB11-2
Q'TY	PART NO	DESCRIPTION	MATERIAL	REMARKS



DESCRIPTION	CROSS FLOW FAN	BUYER	新爾
MODE NO.	CD04329V12BHWER	DRAWING NO	JF-16677
SCALE	1:2	DATE	15.10.02
REV.		DRAWING BY.	陳學儀
		CONFIRMED	

△				
△				
△				
	REV. DATE	REV. CONTENT	REV. BY	Q'TY