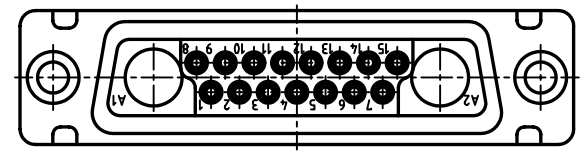
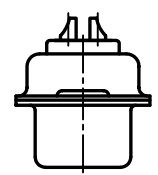
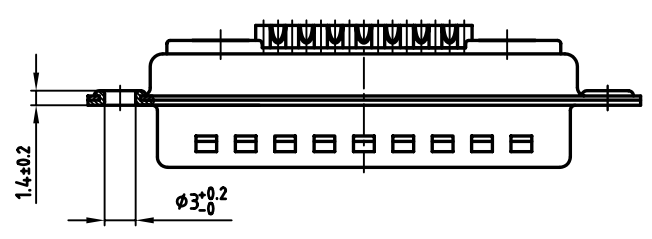
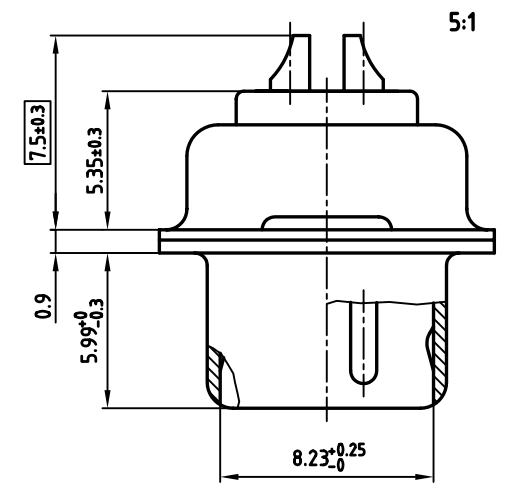
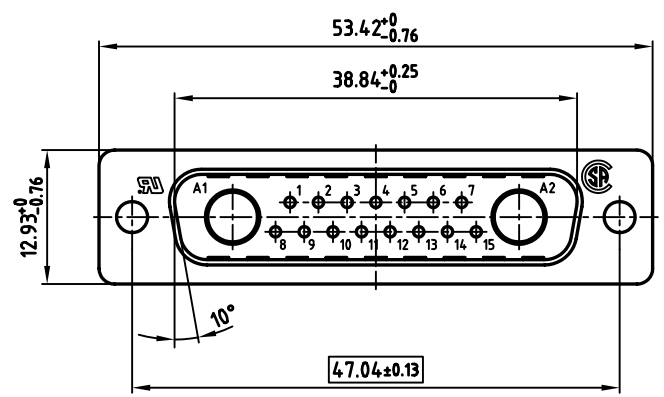


used for: D-SUB COMBINATION



NOTES:

1. METALSHELLS: STEEL; min. 320µ" TIN
2. INSULATORS: PBT GF UL 94 V-0, GREEN
3. SIGNAL CONTACTS: COPPER ALLOY
4. PLATING: min. 30µ" HARD GOLD OVER min. 50µ" NICKEL
5. = CRITICAL DIMENSION: SPC

Directive 2002/95/EC
RoHS
Compliant

THIS DRAWING MAY NOT BE COPIED OR REPRODUCED IN ANY WAY, AND MAY NOT BE PASSED ON TO A THIRD PARTY WITHOUT WRITTEN PERMISSION. OWNERSHIP AND COPYRIGHT OF CONEC GmbH DO NOT ALTER CAD DRAWING BY HAND

tolerance		scale: 2:1 (5:1)	
2001	date	name	material: SEE NOTES
drawn	20.11.	Parei	title: D-SUB COMBINATION MALE 17W2P SOLDER CUP
appd.	20.11.	Schrader	
norm			dwg no: AutoCAD 2000 DIN-A
d-old			
<div style="text-align: center; font-weight: bold; font-size: 1.2em;">CONEC®</div>		<div style="text-align: center; font-weight: bold; font-size: 1.2em;">13K1A405A</div>	
		<div style="text-align: center; font-weight: bold; font-size: 1.2em;">part no: 3017W2PCM99A10X</div>	
rev.	description	date	name

scale: 2:1 (5:1)	
material: SEE NOTES	
title: D-SUB COMBINATION MALE 17W2P SOLDER CUP	
dwg no: AutoCAD 2000 DIN-A	
<div style="font-weight: bold; font-size: 1.2em;">13K1A405A</div>	
<div style="font-weight: bold; font-size: 1.2em;">part no: 3017W2PCM99A10X</div>	
sh: 1/1	