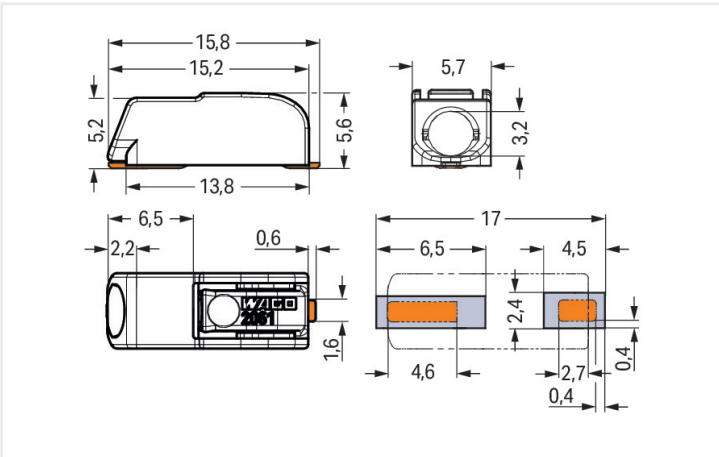
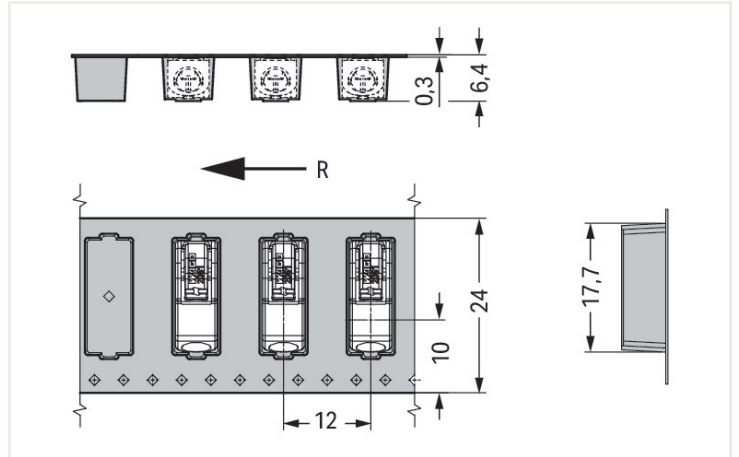


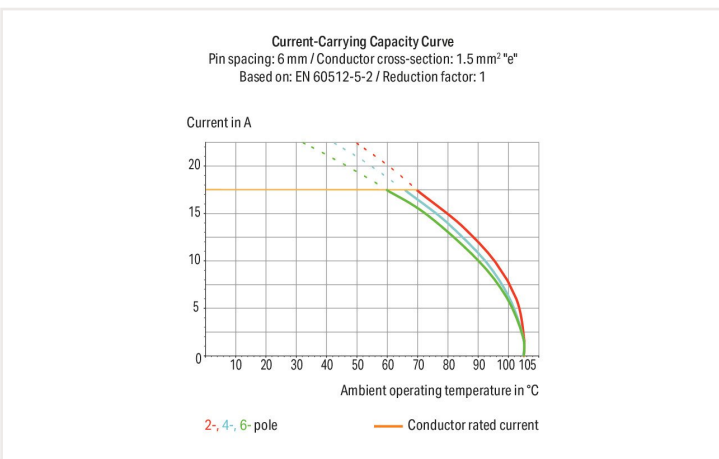
SMD PCB terminal block; push-button; 1.5 mm²; Pin spacing 6 mm; 1-pole; Push-in CAGE CLAMP®; in tape-and-reel packaging; 1,50 mm²; white



Dimensions in mm



Dimensions in mm
R = feed direction



- SMD PCB terminal blocks with Push-in CAGE CLAMP® connection technology and push-buttons
- Just 5.6 mm tall
- Push-in termination of solid and ferruled conductors
- Push-button for easy connection and disconnection of all conductor types
- Available in tape-and-reel packaging for automated assembly

Notes

Note	<p>Application notes: Suitable for lead-free, reflow-soldering profiles per DIN EN 61760-1 and IEC 60068-2-58 up to max. 260°C peak temperature. Due to application-specific variables (component configuration and orientation, type of soldering machine, solder paste), trial runs are recommended to ensure product and process compatibility under actual manufacturing conditions.</p> <p>Depending on reflow soldering temperatures and times, color deviations may occur. These deviations will have no impact on functionality.</p>
Recommendation	<p>Recommendation for stencil: 150 µm material thickness; Pattern layout identical to solder pad layout</p>

Electrical data

Ratings per IEC/EN		Ratings per UL	
Ratings per	IEC/EN 60664-1	Approvals per	UL 1059
Nominal voltage (III/3)	250 V	Rated voltage UL (Use Group B)	600 V
Rated impulse voltage (III/3)	4 kV	Rated current UL (Use Group B)	10 A
Rated voltage (III/2)	320 V	Rated voltage UL (Use Group D)	600 V
Rated impulse voltage (III/2)	4 kV	Rated current UL (Use Group D)	5 A
Nominal voltage (II/2)	630 V		
Rated surge voltage (II/2)	4 kV		
Rated current	17.5 A		
Legend (ratings)	(III / 2) Δ Overvoltage category III / Pollution degree 2		

Connection data

		Connection 1	
Total number of connection points	1	Connection technology	Push-in CAGE CLAMP®
Total number of potentials	1	Actuation type	Push-button
Number of connection types	1	Solid conductor	0.5 ... 1.5 mm ² / 20 ... 16 AWG
Number of levels	1	Fine-stranded conductor	0.5 ... 1.5 mm ² / 20 ... 16 AWG
		Fine-stranded conductor; with insulated ferrule	0.5 ... 0.75 mm ²
		Fine-stranded conductor; with uninsulated ferrule	0.5 ... 0.75 mm ²
		Strip length	7 ... 10 mm / 0.28 ... 0.39 inches
		Conductor connection direction to PCB	0°
		Pole number	1

Physical data

Pin spacing	6 mm / 0.24 inches
Width	5.7 mm / 0.224 inches
Height	5.6 mm / 0.22 inches
Height from the surface	5.6 mm / 0.22 inches
Depth	15.8 mm / 0.622 inches
Reel diameter of tape-and-reel packaging	330 mm
Tape width	24 mm

Plug-in connection

Plugging without loss of pin spacing	Yes
--------------------------------------	-----

PCB contact

PCB contact	SMD
Solder pin arrangement	over the entire terminal strip (in-line)
Number of solder pins per potential	2

Material data

Note (material data)	Information on material data can be found here
Color	white
Material group	I
Insulation material	Polyphthalamide (PPA GF)
Flammability class per UL94	V0
Contact material	Copper alloy
Contact plating	Tin
Fire load	0.014 MJ
Weight	1 g

Environmental requirements

Limit temperature range	-60 ... +105 °C
-------------------------	-----------------

Commercial data

eCl@ss 10.0	27-14-11-06
eCl@ss 9.0	27-14-11-06
ETIM 8.0	EC001284
ETIM 7.0	EC001284
PU (SPU)	8100 (900) Stück
Packaging type	Box
Country of origin VKOrg Germany	CN
GTIN	4055143278065
Customs tariff number VKOrg Germany	85369010000

Approvals and certificates

Country specific Approvals



Approval	Standard	Certificate name
CCA DEKRA Certification B.V.	EN 60947-7-4	NTR NL-7773
CCA DEKRA Certification B.V.	EN 60947-7-4	71-110254
CCA DEKRA Certification B.V.	EN 60838	NTR NL-7721
KEMA/KEUR DEKRA Certification B.V.	EN 60838	71-106232

UL-Approvals



Approval	Standard	Certificate name
cURus Underwriters Laboratories Inc.	UL 1059	E45172

Downloads

Environmental Product Compliance

Compliance Search

Environmental Product
Compliance
2061-601/998-404



Documentation

Additional Information

Technical Section

03.04.2019

pdf

1949.09 KB



CAD/CAE-Data

CAD data

2D/3D Models
2061-601/998-404



CAE data

ZUKEN Portal
2061-601/998-404



1 Compatible products

1.1 Optional accessories

1.1.1 Board-to-board link

1.1.1.1 Board-to-board link



Item no.: [2061-901](#)

Board-to-Board Link; Pin spacing 6 mm;
1-pole; Length: 30 mm; white

Item no.: [2061-901/034-000](#)

Board-to-Board Link; Pin spacing 6 mm;
1-pole; Length: 34 mm; white

1.1.2 Ferrule

1.1.2.1 Ferrule



Item no.: [216-241](#)

Ferrule; Sleeve for 0.5 mm² / 20 AWG; insulated; electro-tin plated; electrolytic copper; gastight crimped; acc. to DIN 46228, Part 4/09.90; white



Item no.: [216-201](#)

Ferrule; Sleeve for 0.5 mm² / 20 AWG; insulated; electro-tin plated; white



Item no.: [216-141](#)

Ferrule; Sleeve for 0.5 mm² / 20 AWG; un-insulated; electro-tin plated; electrolytic copper; gastight crimped; acc. to DIN 46228, Part 1/08.92



Item no.: [216-101](#)

Ferrule; Sleeve for 0.5 mm² / AWG 22; un-insulated; electro-tin plated; silver-colored



Item no.: [216-242](#)

Ferrule; Sleeve for 0.75 mm² / 18 AWG; insulated; electro-tin plated; electrolytic copper; gastight crimped; acc. to DIN 46228, Part 4/09.90; gray



Item no.: [216-262](#)

Ferrule; Sleeve for 0.75 mm² / 18 AWG; insulated; electro-tin plated; electrolytic copper; gastight crimped; acc. to DIN 46228, Part 4/09.90; gray



Item no.: [216-202](#)

Ferrule; Sleeve for 0.75 mm² / 18 AWG; insulated; electro-tin plated; gray



Item no.: [216-142](#)

Ferrule; Sleeve for 0.75 mm² / 18 AWG; un-insulated; electro-tin plated; electrolytic copper; gastight crimped; acc. to DIN 46228, Part 1/08.92



Item no.: [216-102](#)

Ferrule; Sleeve for 0.75 mm² / AWG 20; un-insulated; electro-tin plated; silver-colored

1.1.3 Tool

1.1.3.1 Operating tool



Item no.: 206-866

Operating tool; for 2061 Series



Item no.: 2061-190

Operating tool; made of insulating material

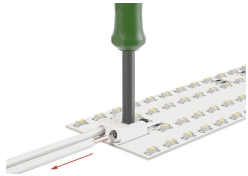
Installation notes

Conductor termination



Inserting solid conductors via push-in termination.

Conductor termination



Easy conductor removal, e.g., via operating tool (206-861)