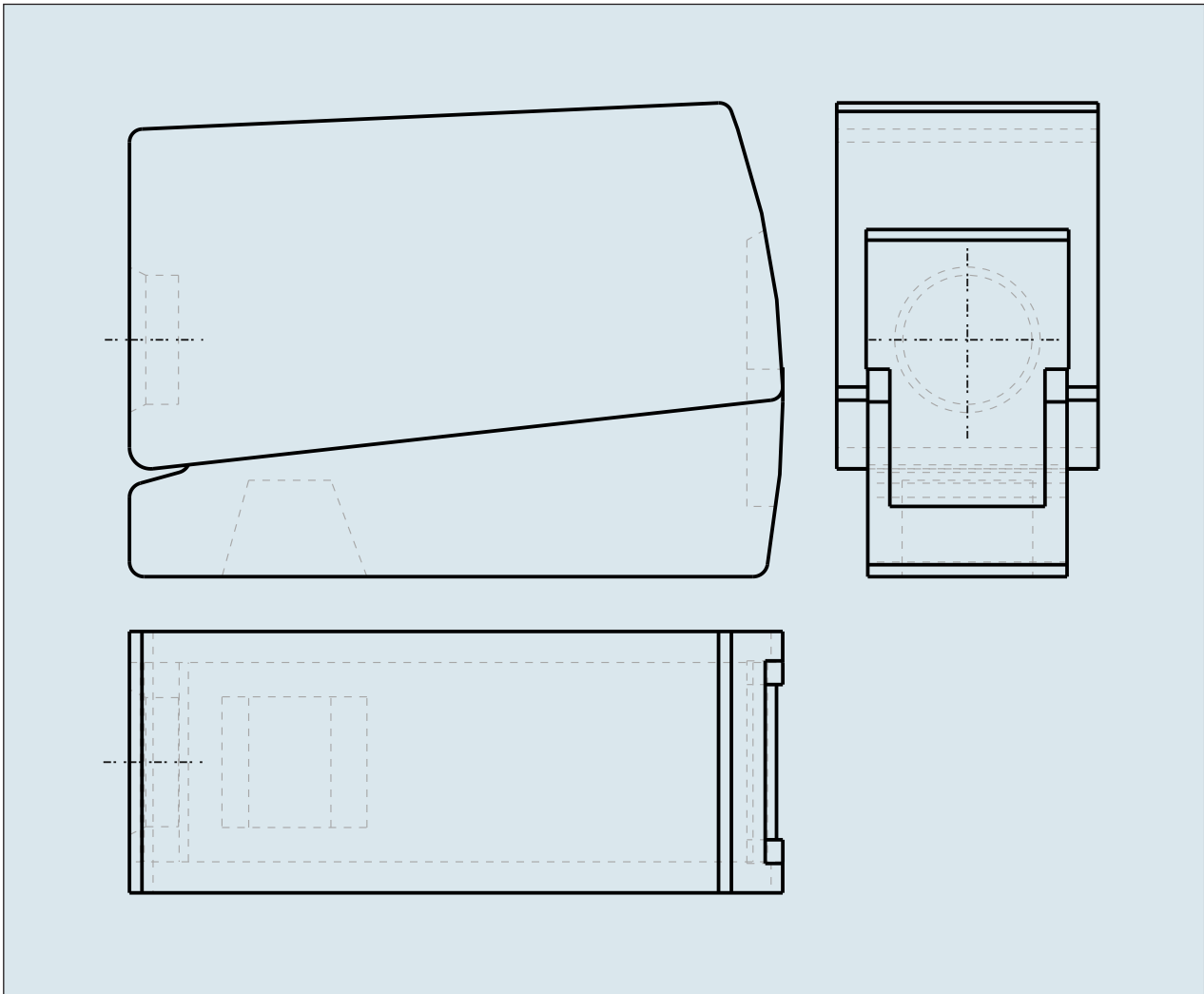
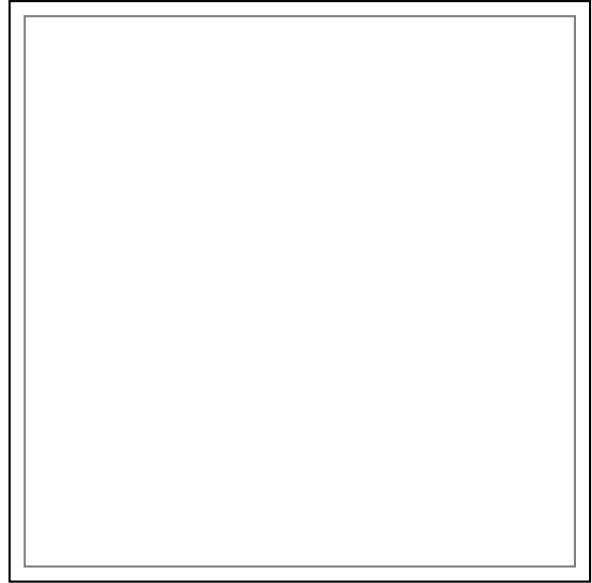
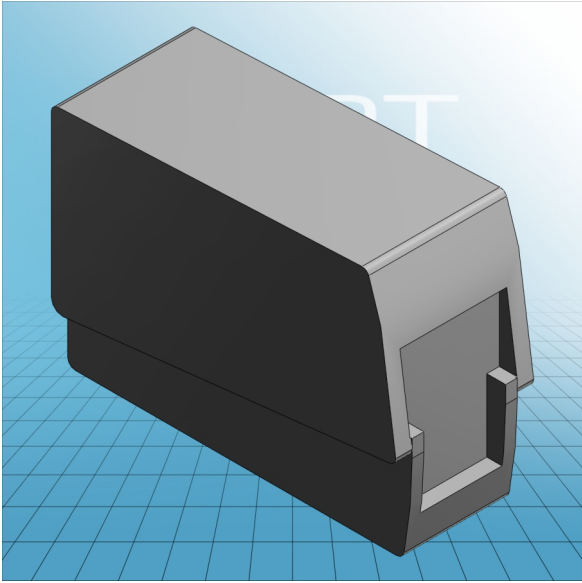




**LIGHTING CONNECTOR STANDARD**  
**TYPE CONTINUOUS SERVICE**  
**TEMPERATURE 105°C**  
222-101





**LIGHTING CONNECTOR STANDARD  
TYPE CONTINUOUS SERVICE  
TEMPERATURE 105°C  
222-101**

<b>ITEM-NO. (ITEM-NO.)</b>	224-101
<b>Cross section1 (Cross section / mm<sup>2</sup>)</b>	1 - 2.5
<b>Cross section2 (Cross section / AWG)</b>	14 - 12
<b>Strip length (Strip length / mm)</b>	9 - 11
<b>Measured voltage (Measured voltage / V)</b>	400
<b>Measured shock voltage (Measured shock voltage / kV)</b>	4
<b>Pollution degree (Pollution degree)</b>	2
<b>Current intensity (Current intensity / A)</b>	24
<b>Height (Height / mm)</b>	15.5
<b>Width (Width / mm)</b>	8.5
<b>Depth (Depth / mm)</b>	20.5
<b>No. of connection Points (No. of connection Points)</b>	2
<b>No. of potentials (No. of potentials)</b>	1
<b>COLOR (COLOR)</b>	grau
<b>WEIGHT (WEIGHT / g)</b>	2.033
<b>Comment (Comment)</b>	Standard Ausführung   Dauerbetriebstemperatur 105° C