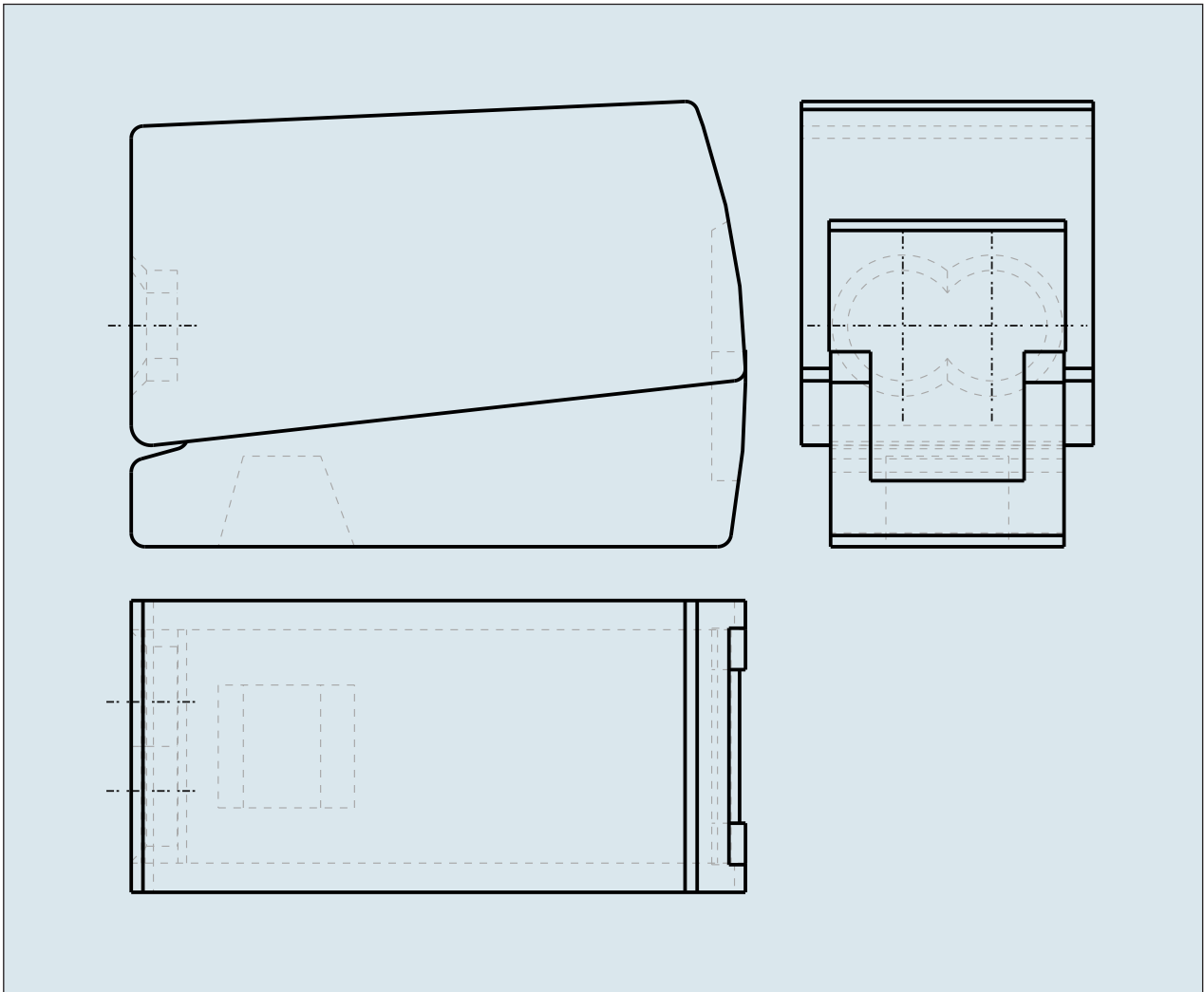
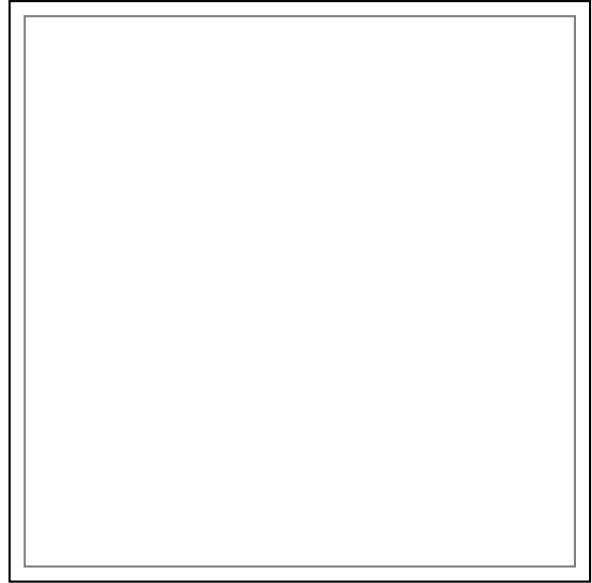
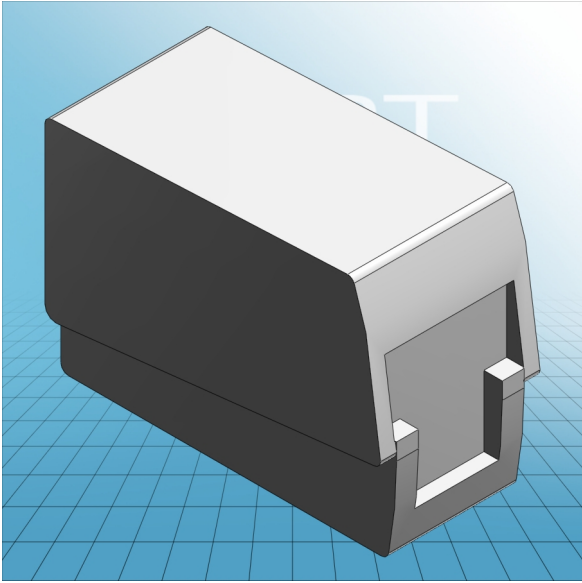




**2-CONDUCTOR LIGHTING
CONNECTOR STANDARD TYPE
CONTINUOUS SERVICE
TEMPERATURE 105°C**





**2-CONDUCTOR LIGHTING
CONNECTOR STANDARD TYPE
CONTINUOUS SERVICE
TEMPERATURE 105°C
222-112**

ITEM-NO. (ITEM-NO.)	224-112
Cross section1 (Cross section / mm²)	1 - 2.5
Cross section2 (Cross section / AWG)	14 - 12
Strip length (Strip length / mm)	9 - 11
Measured voltage (Measured voltage / V)	400
Measured shock voltage (Measured shock voltage / kV)	4
Pollution degree (Pollution degree)	2
Current intensity (Current intensity / A)	24
Height (Height / mm)	15.5
Width (Width / mm)	9.5
Depth (Depth / mm)	20.5
No. of connection Points (No. of connection Points)	3
No. of potentials (No. of potentials)	1
COLOR (COLOR)	weiß
WEIGHT (WEIGHT / g)	2.04
Comment (Comment)	Standard Ausführung Dauerbetriebstemperatur 105° C