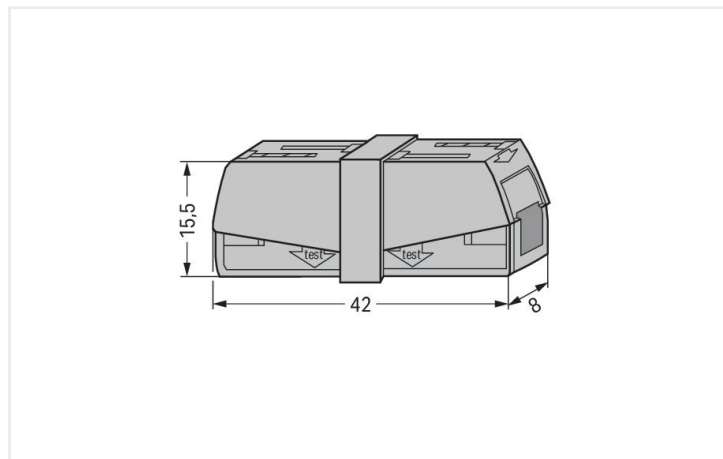


Service connector; push-button on both sides; Lighting side: for all conductor types; Inst. side: for solid conductors; 224 Series; max. 2.5 mm<sup>2</sup>; Surrounding air temperature: max 60°C; 2,50 mm<sup>2</sup>; gray



Dimensions in mm

### Notes

Safety information 1

in grounded power lines

### Electrical data

#### Ratings per IEC/EN

|                            |   |
|----------------------------|---|
| Ratings per                | EN 60664  |
| Nominal voltage (II/2)     | 400 V   |
| Rated surge voltage (II/2) | 4 kV  |
| Rated current              | 24 A  |
| Legend (ratings)           | (II / 2) ≙ Overvoltage category II / Pollution degree 2 |

### Connection data

|                                   |   |
|-----------------------------------|---|
| Total number of connection points | 2 |
| Total number of potentials        | 1 |

#### Connection 1

|                                 |                    |
|---------------------------------|--------------------|
| Connection technology           | CAGE CLAMP®        |
| Actuation type                  | Push-in            |
| Connectable conductor materials | Copper<br>Aluminum |

## Connection 1

Connectable conductor materials (note)

### Terminating Aluminum Conductors

WAGO spring clamp terminal blocks are suitable for solid aluminum conductors up to 4 mm<sup>2</sup>/12 AWG if WAGO "Alu-Plus" Contact Paste [249-130](#) is used for termination.

"Alu-Plus" Contact Paste Advantages:

- Automatically destroys the oxide film during clamping.
- Prevents fresh oxidation at the clamping point.
- Prevents electrolytic corrosion between aluminum and copper conductors (in the same terminal block).
- Provides long-term protection against corrosion.

Using terminal blocks with CAGE CLAMP® Spring Pressure Connection Technology, **aluminum conductors must first be cleaned with a blade** and then immediately be inserted into the clamping units filled with "Alu-Plus" Contact Paste.

It is also possible to apply WAGO "Alu-Plus" **additionally** on the whole surface of the aluminum conductor before termination.

Please note that the nominal currents must be adapted to the reduced conductivity of the aluminum conductors::

2.5 mm<sup>2</sup> = 16 A

4 mm<sup>2</sup> = 22 A

|                         |   |
|-------------------------|---|
| Solid conductor         | 0.5 ... 2.5 mm <sup>2</sup> / 20 ... 16 AWG |
| Fine-stranded conductor | 0.5 ... 2.5 mm <sup>2</sup> / 20 ... 16 AWG |
| Strip length            | 9 ... 11 mm / 0.35 ... 0.43 inches          |
| Wiring direction        | Side-entry wiring                           |

## Physical data

|        |                       |
|--------|-----------------------|
| Width  | 8 mm / 0.315 inches   |
| Height | 15.5 mm / 0.61 inches |
| Depth  | 42 mm / 1.654 inches  |

## Material data

|                      |  |
|----------------------|--|
| Note (material data) | <a href="#">Information on material data can be found here</a> |
| Color                | gray   |
| Fire load            | 0.097 MJ   |
| Weight               | 4.6 g  |

## Environmental requirements

|                                 |        |
|---------------------------------|--------|
| Ambient temperature (operation) | +60 °C |
|---------------------------------|--------|

## Commercial data

|                                     |               |
|-------------------------------------|---------------|
| eCl@ss 10.0                         | 27-14-11-03   |
| eCl@ss 9.0                          | 27-14-11-03   |
| ETIM 8.0                            | EC000447      |
| ETIM 7.0                            | EC000447      |
| PU (SPU)                            | 50 Stück      |
| Packaging type                      | Box           |
| Country of origin VKOrg Germany     | CH            |
| GTIN                                | 4044918818407 |
| Customs tariff number VKOrg Germany | 85369010000   |

## Approvals and certificates

### Country specific Approvals



| Approval                                     | Standard | Certificate name |
|--|----------|------------------|
| CSA<br>DEKRA Certification B.V.              | C22.2    | 1053495          |
| VDE<br>VDE Prüf- und Zertifizierungsinstitut | EN 60998 | 40022792         |

### Ship Approvals



| Approval  | Standard | Certificate name |
|---|----------|------------------|
| ABS<br>American Bureau of Ship-<br>ping               | -        | 18-HG1755093-PDA |
| BV<br>Bureau Veritas S.A.                             | EN 60998 | 11914/D0 BV      |
| DNV GL<br>Det Norske Veritas, Ger-<br>manischer Lloyd | EN 60998 | TAE000015T       |
| LR<br>Lloyds Register                                 | EN 60998 | LR22207029TA     |

### UL-Approvals



| Approval                               | Standard | Certificate name                      |
|--|----------|---------------------------------------|
| UL<br>UL International Germany<br>GmbH | EN 60998 | CCA-2617-A1                           |
| UL<br>UL International Germany<br>GmbH | EN 60998 | D-05895-A1 (EN60998-1<br>EN60998-2-2) |
| UL<br>UL International Germany<br>GmbH | UL 486C  | E69654                                |

## 1 Compatible products

### 1.1 Optional accessories

#### 1.1.1 Tool

##### 1.1.1.1 "Alu-Plus" contact paste

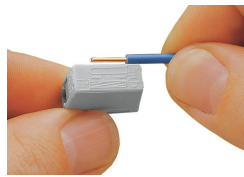


**Item no.: 249-130**

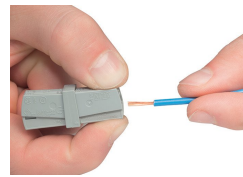
Syringe; Contents: 20 ml Alu-Plus contact paste

## Installation notes

### Conductor termination



Strip conductor to 9 ... 11 mm (0.35 ... 0.43 inch).



To connect: Press button fully, insert stripped conductor into square entry and release.

## Application



Service connector