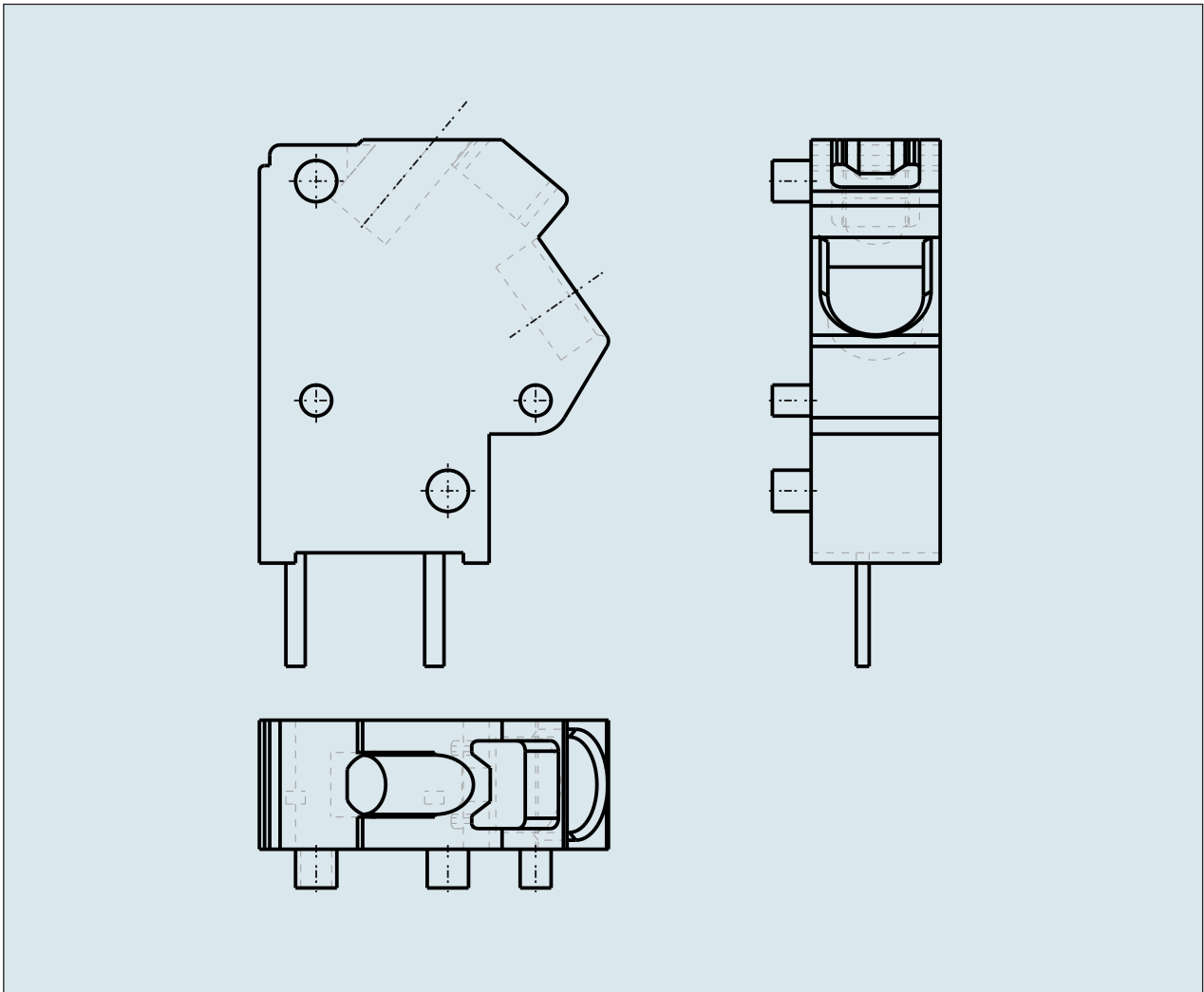
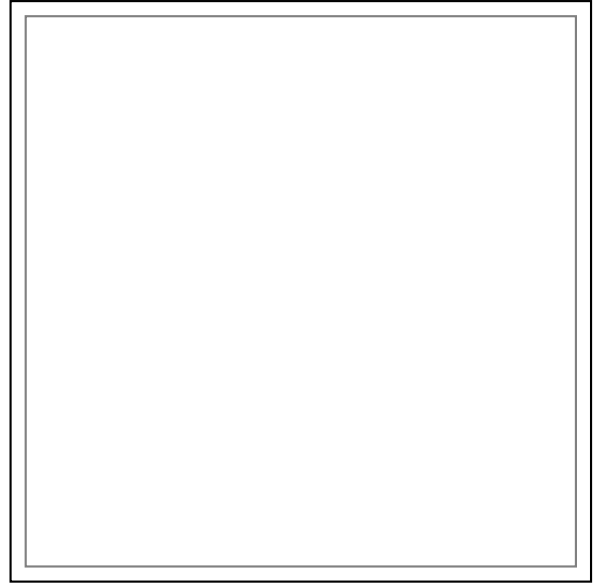
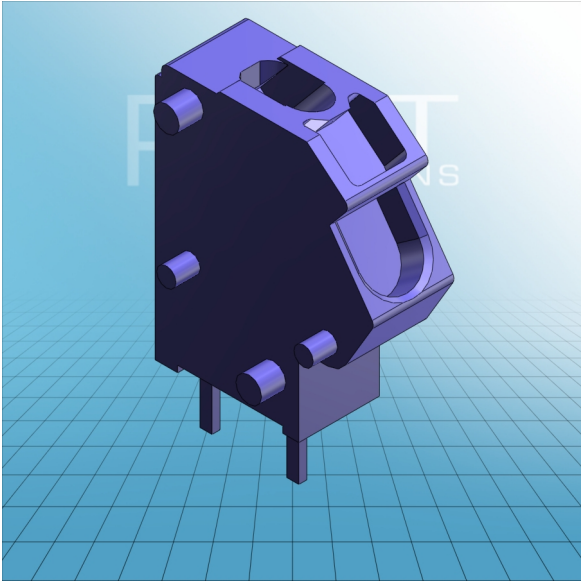




**1-CONDUCTOR PCB TERMINAL
BLOCK 2 SOLDER PINS / POLE 1
POLE PIN SPACING 5/5.08 MM / 0.2 IN
254-451**





**1-CONDUCTOR PCB TERMINAL
BLOCK 2 SOLDER PINS / POLE 1
POLE PIN SPACING 5/5.08 MM / 0.2 IN
254-451**

| | |
|---|-------------|
| ITEM-NO. (ITEM-NO.) | 254-844 |
| Cross section1 (Cross section / mm²) | 0.5 - 2.5 |
| Cross section2 (Cross section / AWG) | 20 - 12 |
| Strip length (Strip length / mm) | 10 - 12 |
| Measured voltage (Measured voltage / V) | 320 |
| Measured shock voltage (Measured shock voltage / kV) | 4 |
| Pollution degree (Pollution degree) | 2 |
| Current intensity (Current intensity / A) | 24 |
| RM (PIN SPACING / mm) | 5 |
| P (NO. OF POLES) | 1 |
| Height (Height / mm) | 15.7 |
| Width (Width / mm) | 5 |
| Depth (Depth / mm) | 13.5 |
| No. of connection Points (No. of connection Points) | 1 |
| No. of potentials (No. of potentials) | 1 |
| COLOR (COLOR) | blau |
| WEIGHT (WEIGHT / g) | 1.053 |
| Comment (Comment) | |
| Dimensions (Dimensions) | 1.1 +0.1 mm |