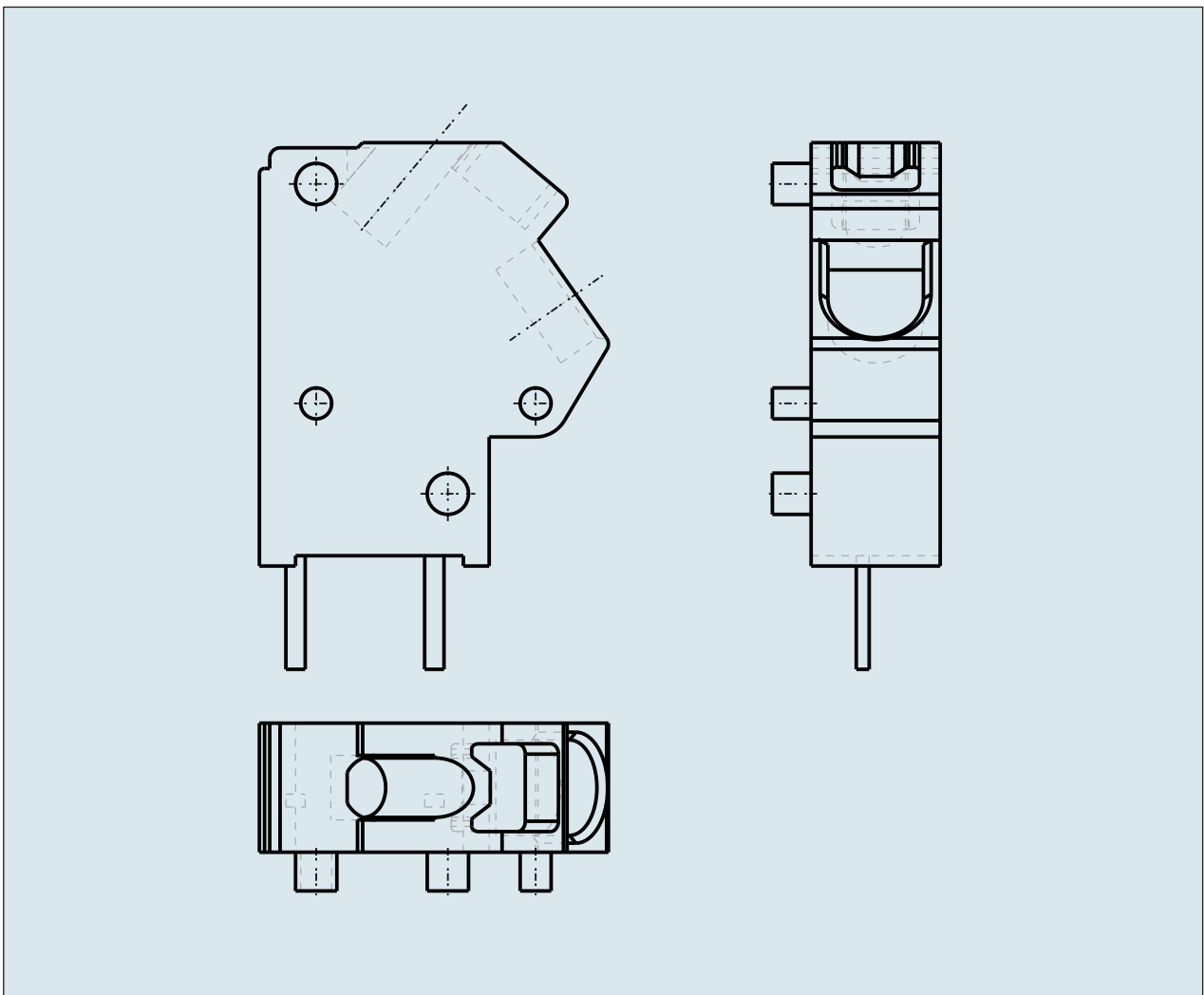
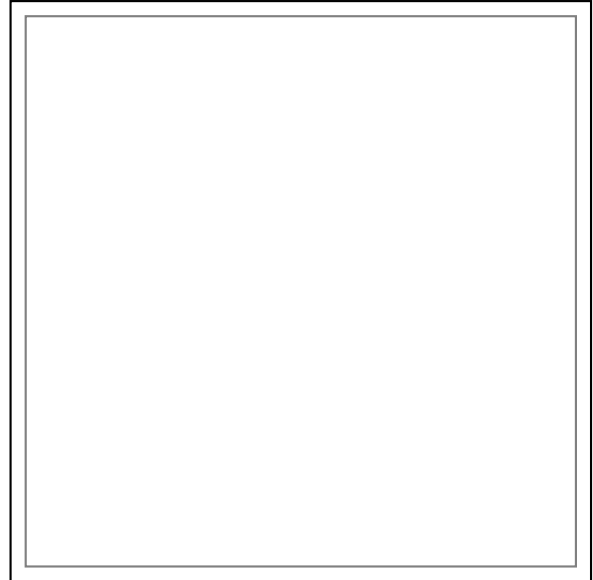
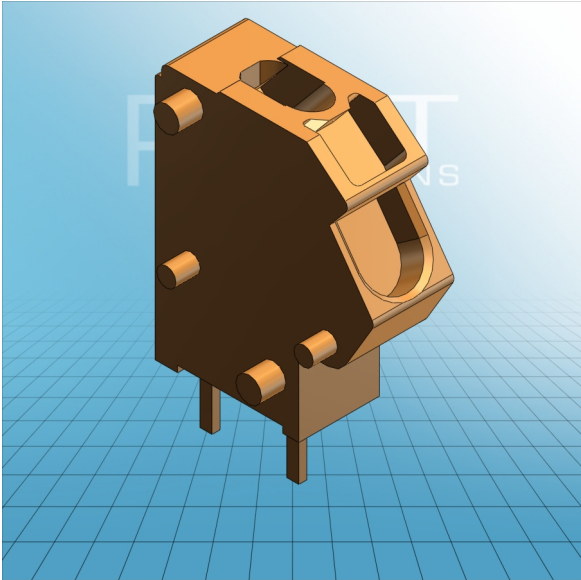




**1-CONDUCTOR PCB TERMINAL
BLOCK 2 SOLDER PINS / POLE 1
POLE PIN SPACING 5/5.08 MM / 0.2 IN
254-451**





**1-CONDUCTOR PCB TERMINAL
BLOCK 2 SOLDER PINS / POLE 1
POLE PIN SPACING 5/5.08 MM / 0.2 IN
254-451**

ITEM-NO. (ITEM-NO.)	254-846
Cross section1 (Cross section / mm²)	0.5 - 2.5
Cross section2 (Cross section / AWG)	20 - 12
Strip length (Strip length / mm)	10 - 12
Measured voltage (Measured voltage / V)	320
Measured shock voltage (Measured shock voltage / kV)	4
Pollution degree (Pollution degree)	2
Current intensity (Current intensity / A)	24
RM (PIN SPACING / mm)	5
P (NO. OF POLES)	1
Height (Height / mm)	15.7
Width (Width / mm)	5
Depth (Depth / mm)	13.5
No. of connection Points (No. of connection Points)	1
No. of potentials (No. of potentials)	1
COLOR (COLOR)	orange
WEIGHT (WEIGHT / g)	1.053
Comment (Comment)	
Dimensions (Dimensions)	1.1 +0.1 mm