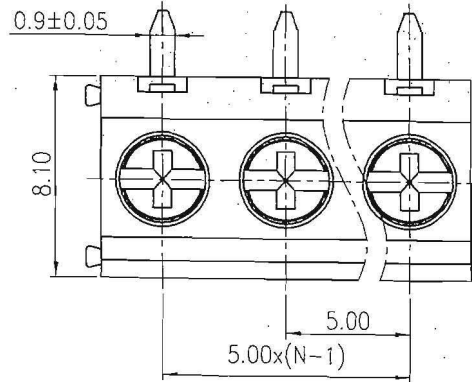
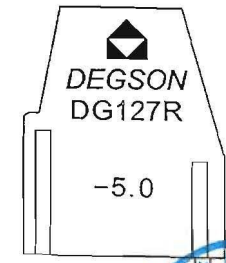
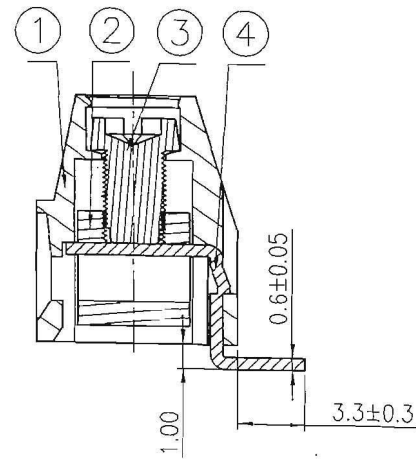
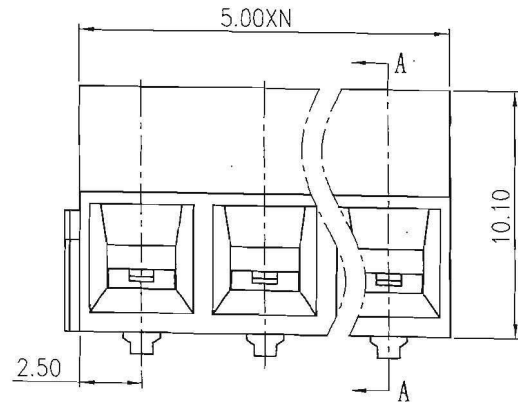
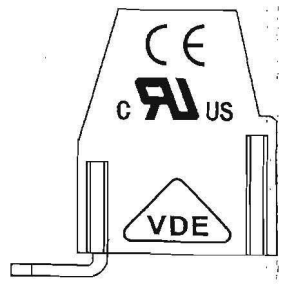


REVISION RECORD				
.REV	ECO	DESCRIPTION	DRFT	DATE



- Notes:
1. Pitch: 5.0mm, Poles: 2-XXP
 2. Rated voltage/current: UL 300V/12A
VDE 250V/15A
 3. Operation temperatures: -40°C ~ +105°C
 4. Withstanding Voltage: AC2000V/1Min
 5. Insulation Resistance: 5000MΩ / DC1000V
 6. Wire Range: 26~14AWG, 1.5mm²
 7. Max. Torque Value: M2.5, 4.08kgf.cm
 8. Undimensioned Tolerances:

Pitch range in mm		Nominal dimension range in mm					—
to 6	over 6 to 10	over 10 to 24	to 30	over 30 to 60	over 60 to 100	over 100 to 150	∅
±0.10	±0.15	±0.25	±0.2	±0.3	±0.5	±0.7	±1.0



4	DG127R Pin header	4028B00020(H)	XX	Brass	SnCe
3	DG127"十" Screws (M2.5*3.8)	S000001680(H)	XX	Steel	Cr ³ Zn
2	DG127 Brass cage	X000000170(H)	XX	Brass	Ni plated

ITEM	NAME OF PART	NO. OF PART	Q'TY	MATERIAL	NOTES
1	DG127-5.0 Housing	4094A0YXXA (H)	1	PA66	UL94V-0

MM (INCH)	DFTO L/JH	DATE 01/13/09
TOLERANCES EXCEPT AS NOTED	CHKD ygy	DATE 1/13/09
	MFO	DATE
MM	APPLD Hany	DATE 01/13/09
.0 ±		
.00 ±		
.000 ±		
ANGLES ± 1°	G.E :	
THIRD ANGLE PROJECTION	FINISH :	
	SCALE : 1:1	

NAME		DEGSON® 宁波高正电子有限公司 DEGSON ELECTRONICS CO., LTD	
DG127R-5.0-XXP-1Y-02A(H)			
DRAWING NO. DG127R-5.0-E04		SIZE A3	REV TO 01/13/09
/PART NO.		DO NOT SCALE DRAWING	
SHEET 1		OF 1	