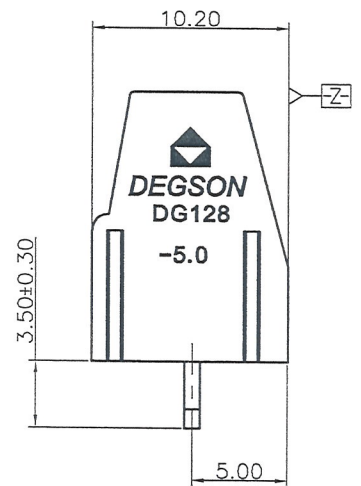
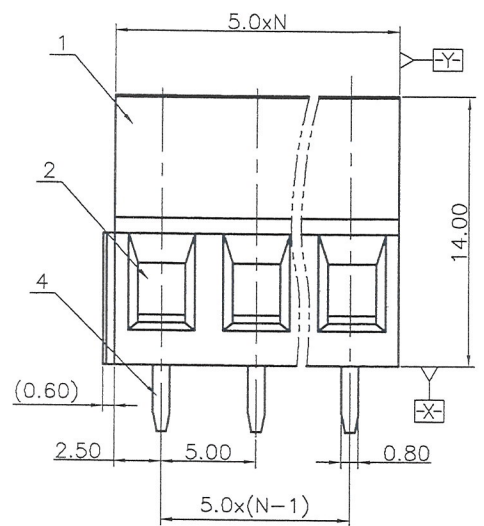
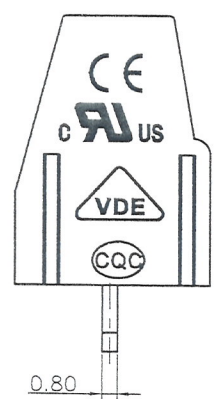
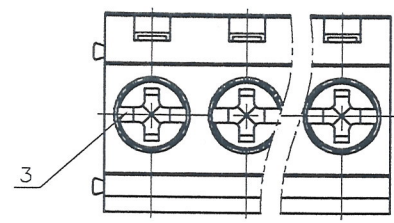


REVISION RECORD				
REV	ECN	DESCRIPTION	DRFT	DATE



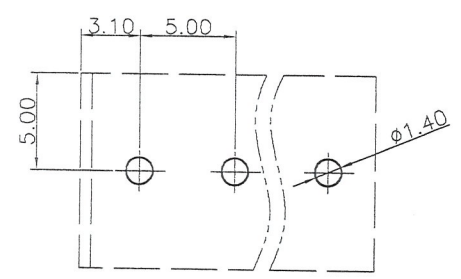
NOTES1:  
 UL Standard  
 1. Rated voltage/current : 300V / 20A  
 2. Torque value : M2.5 , 3.54Lb.in  
 3. Wire range : 30~12AWG

IEC Standard  
 1. Rated voltage/current : 250V / 18A  
 2. Torque value : M2.5 , 0.4N·m  
 3. Wire range : 1.0~2.5mm<sup>2</sup>

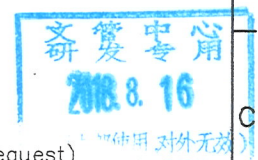
NOTES2:  
 1. Dimension shall be interpreted per ASME Y14.5-2009  
 2. Pitch : 5.0mm, Poles : N=02~XXP  
 3. Stripping length : 6~7mm  
 4. Withstanding voltage : AC2000V/1Min  
 5. Operating temperature : -40°C~+105°C  
 6. Undimensioned tolerances:

Pitch range in mm		Nominal dimension range in mm						□	∩	∠
TO	Over 6 TO 10	Over 10 TO 24	Over 30 TO 60	Over 60 TO 100	Over 100 TO 150	Over 150	0.1/10	∩	∠	
6	±0.15	±0.20	±0.30	±0.30	±0.50	±0.70	±1.00	±1.30	±2°	

7. RoHS Compliance



DG128 - 5.0 - XXP - 1Y - 02A (H)  
 (Series No.) (Pitch) (Poles) (Single Pitch) (Color): 1.(Grey) 6.(Red)  
 2.(Blue) 7.(Transparent)  
 3.(Black) 8.(Yellow)  
 4.(Green) 9.(White)  
 5.(Orange)



ITEM	NAME OF PART	MATERIAL	NOTES
4	Pin header	Copper alloy	Sn Plated
3	Screw	Steel	M2.5/Zn Plated
2	Cage	Copper alloy	M2.5/Ni Plated
1	Housing	PA66	UL94V-0

PART NO.: /		宁波高松电子有限公司 NINGBO DEGSON ELECTRICAL CO., LTD	
APPD: <i>Burton 2017.12.25</i>	NAME: DG128-5.0-XXP-1Y-02A(H)		
CHKD: <i>Jay 2017/12/25</i>	DRFT: WW 2017.12.19		
TITLE: CUSTOMER DRAWING		REV	TO
DRAWING NO.: DG128-5.0-C02		SHEET	1/1
THIRD ANGLE PROJECTION		DO NOT SCALE DRAWING	SCALE 1:1

H  
G  
F  
E  
D  
C  
B  
A

H  
G  
F  
E  
D  
C  
B  
A