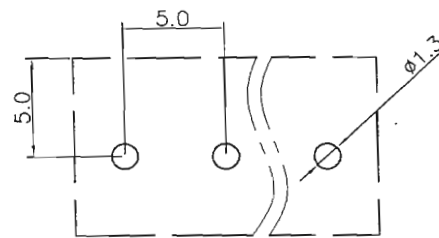
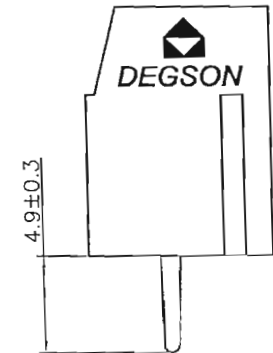
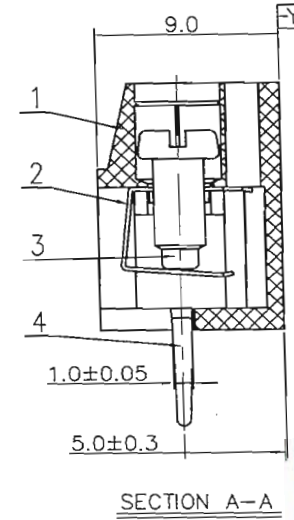
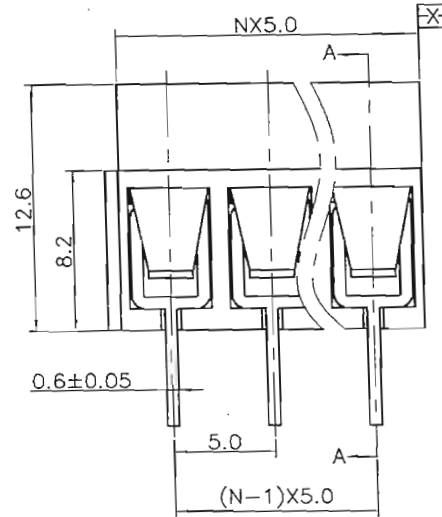
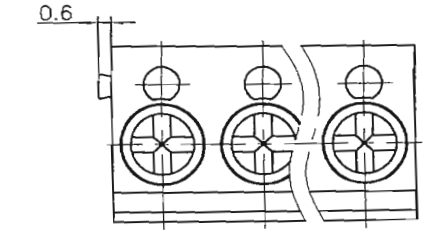
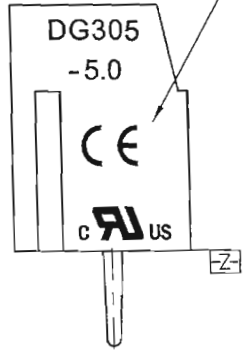


REVISION RECORD

REV	ECN	DESCRIPTION	DRFT	DATE
1		增加VDE、CE标志	LJH	12/24/07
2		修改参数“450V”为“250V”	LJH	05/16/09
3		弹片材料由磷青铜变为不锈钢	YHG	07/07/09
4	13-0003	Drawing Revise	YHG	01/03/13
5	14-0291	增加“CE”标示	yang an	08/28/14



TOP VIEW-LAYOUT

NOTES:

1. DIMENSION SHALL BE INTERPRETED PER ASME. Y14.5-2009.
2. PITCH: 5.0MM ,POLES: 2-24P
3. RATED VOLTAGE/CURRENT: UL 300V/15A IEC 250V/20A
4. OPERATION TEMPERATURES: -30°C~+120°C
5. WITHSTANDING VOLTAGE: AC2000V/1MIN
6. INSULATION RESISTANCE: 5000MΩ/DC1000V
7. WIRE RANGE: 22~14AWG, 2.5MM²
8. MAX. TORQUE VALUE: M2.5, 3.0KGF.CM
9. UNDIMENSIONED TOLERANCES:

PITCH RANGE IN MM		NOMINAL DIMENSION RANGE IN MM										
TO	OVER	TO	OVER	TO	OVER	TO	OVER					
6	6	10	10	30	30	60	100					
	10	24	30	60	100	150	150					
				±0.10	±0.15	±0.25	±0.20	±0.30	±0.50	±0.70	±1.00	0.05/10

文管中心
研办专用
2014.09.28
(仅限内部使用, 对外无效)

ITEM	NAME OF PART	NO. OF PART	Q "TY	MATERIAL	NOTES
4	DG305-Pin header	4003B00010(H)	XX	Brass	Tin pladed
3	DG305-Screws	S000001630(H)	XX	Steel	Cr ³⁺ Zn
2	DG305-Spring	X000000260(H)	XX	Stainless steel	
1	DG305-5.0-Housing	4003AYXXA(H)	1	PBT	UL94V-0

DETACHED LISTS	TOLERANCES EXCEPT AS NOTED		MATERIAL:		宁波高捷电子有限公司 DEGSON® DEGSON ELECTRONICS CO., LTD	
	.X ±	.X' ±	FINISH:			
	.XX ±	.XX' ±	PART NO.:		NAME: DG305-5.0-XXP-1Y-02A(H)	
	.XXX ±	.XXX' ±	APPD: Jean ophelia		TITLE: ASSEMBLY DRAWING	
ANGLES ± 1'		CHKG: Aaron PIP-it		DRAWING NO.: DG305-5.0-E04		REV T5
THIRD ANGLE PROJECTION		DRFT: LYK 05/06/06"		DO NOT SCALE DRAWING		SCALE 1:1 SHEET 1/1