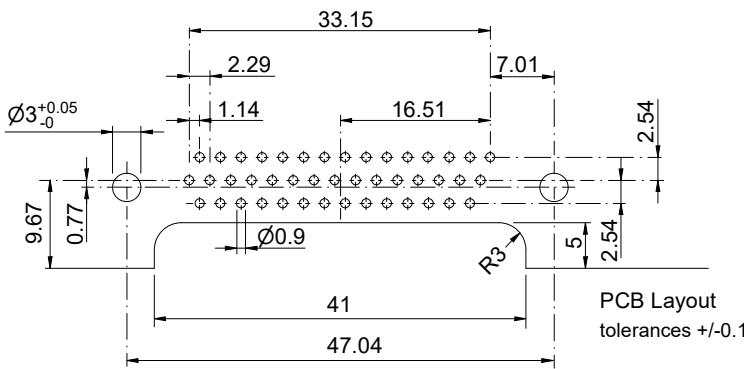
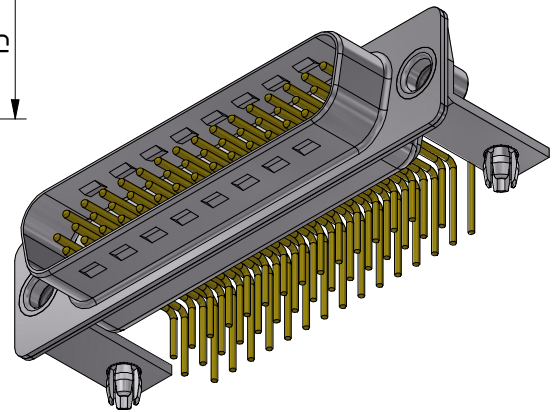
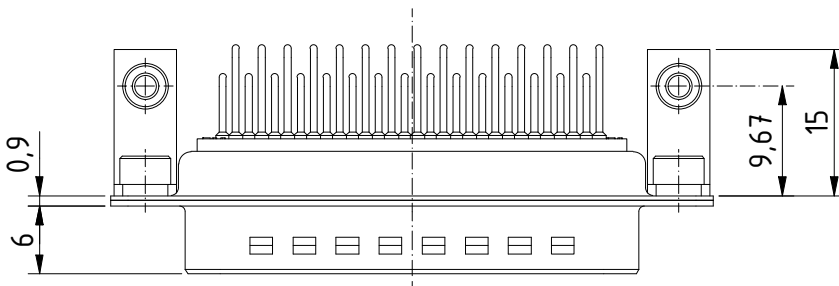
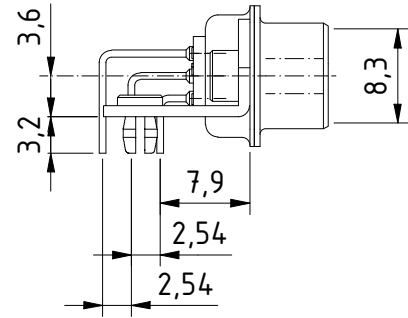
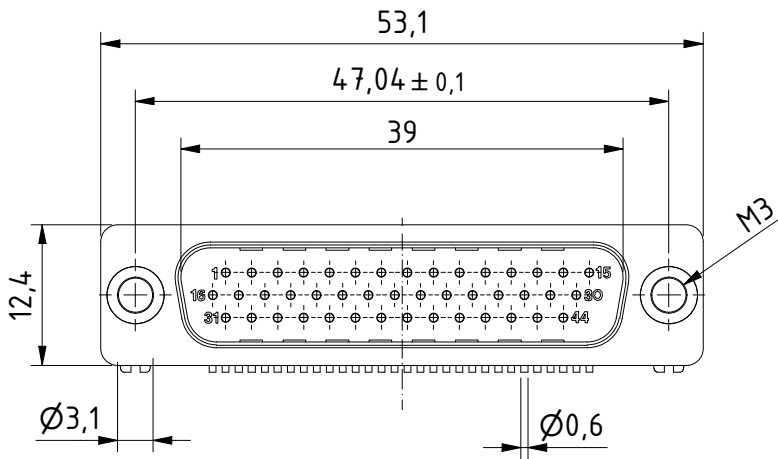


RoHS compliant



Product is suitable for Wave Solder Process

MATERIALS

- Insulator: Thermoplastic UL 94-V-0 white
- Contact: Machined / Copper alloy
- Contact finish: Quality class 2
- Shell: steel tin plated

CHARAKTERISTICS

- Test voltage: 1000 VAC
- Current rating: 5A
- Contact resistance: according to IEC 60512
- Insulation resistance: >5GΩ
- Temperature range: -55° to +125°C

General tolerances (Deltron standard)	
size in mm	
> 0.5	±0.1
up to 3	±0.2
up to 6	±0.2
> 6	±0.2
up to 30	±0.2
> 30	±0.3
up to 120	±0.3
tolerances	

	All dimensions in mm	Rev.	Rev.	Rev.	DE-----		
		Rev.	Rev.	Rev.	part no.		
HD-D44PYC/2M447M3				1.5:1 scale	drawn	26.04.2023	mr
					checked		
				Industrie Neuhof 8c CH-3422 Kirchberg www.d-sub.swiss	K065652 drawing no.		
					Copyright by Deltron AG This drawing may not be copied, reproduced or distributed in any way without written permission. Drawing subject to change.		