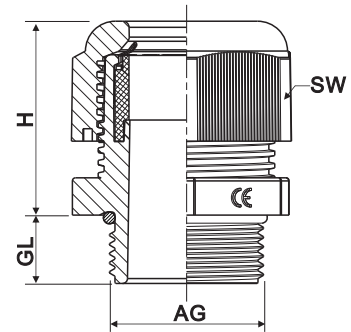



# HSK Cable Gland — Metric thread

CE RoHS **IP68**



Material : PA  
 O-ring : NBR  
 IP Rating : IP68  
 Working Temperature: -40 ~ 100°C in static state, or instantaneous up to 120°C;  
 -20 ~ 80°C in dynamic state, or instantaneous up to 100°C.  
 Color : Black (RAL9005), Grey (RAL7037)  
 Fire resistance : UL94-V2



P/N	Thread size	∅ <sub>ext</sub> Cable OD mm	AG mm	GL mm	H mm	SW mm	Ref.No. (Grey)	Ref.No. (Black)	
HSK.M12.A(B/G)	M12X1.5	2-5	12	8	20	15	9 00 001 0120 1	9 00 001 0120 2	50
HSK.M12.B(B/G)	M12X1.5	3-6.5	12	8	20	15	9 00 001 0121 1	9 00 001 0121 2	50
HSK.M16.A(B/G)	M16X1.5	2-6	16	8	22	19	9 00 001 0160 1	9 00 001 0160 2	50
HSK.M16.B(B/G)	M16X1.5	4-8	16	8	22	19	9 00 001 0161 1	9 00 001 0161 2	50
HSK.M20.A(B/G)	M20X1.5	5-10	20	9	26.5	24	9 00 001 0200 1	9 00 001 0200 2	50
HSK.M20.B(B/G)	M20X1.5	6-12	20	9	26.5	24	9 00 001 0201 1	9 00 001 0201 2	50
HSK.M22.A(B/G)	M22X1.5	6-12	22	10	28	27	9 00 001 0220 1	9 00 001 0220 2	50
HSK.M22.B(B/G)	M22X1.5	10-14	22	10	28	27	9 00 001 0221 1	9 00 001 0221 2	50
HSK.M25.A(B/G)	M25X1.5	9-16	25	11	31.5	33	9 00 001 0250 1	9 00 001 0250 2	20
HSK.M25.B(B/G)	M25X1.5	13-18	25	11	31.5	33	9 00 001 0251 1	9 00 001 0251 2	20
HSK.M32.A(B/G)	M32X1.5	13-20	32	11	39	42	9 00 001 0320 1	9 00 001 0320 2	20
HSK.M32.B(B/G)	M32X1.5	18-25	32	11	39	42	9 00 001 0321 1	9 00 001 0321 2	20
HSK.M40.A(B/G)	M40X1.5	20-26	40	13	48.5	53	9 00 001 0400 1	9 00 001 0400 2	10
HSK.M40.B(B/G)	M40X1.5	22-32	40	13	48.5	53	9 00 001 0401 1	9 00 001 0401 2	10
HSK.M50.A(B/G)	M50X1.5	25-31	50	13	47.3	60	9 00 001 0500 1	9 00 001 0500 2	5
HSK.M50.B(B/G)	M50X1.5	32-38	50	13	47.3	60	9 00 001 0501 1	9 00 001 0501 2	5
HSK.M63.A(B/G)	M63X1.5	29-35	63	14	47	68	9 00 001 0630 1	9 00 001 0630 2	5
HSK.M63.B(B/G)	M63X1.5	37-44	63	14	47	68	9 00 001 0631 1	9 00 001 0631 2	5

Retaining nut :



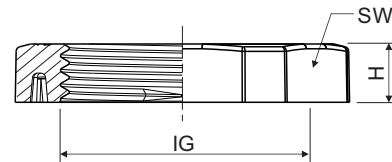
see page 002


## GMK Retaining nut - Metric thread

CE RoHS



Material : PA  
 Working temperature : -40 ~100  
 Color : Black (RAL9005), Grey(RAL7035)  
 Fire resistance : UL94-V2



P/N	Thread size IG	H mm	SW mm	Ref.No. (Grey)	Ref.No. (Black)	
GMK.M12(B/G)	M12X1.5	5	19	9 00 009 0120 1	9 00 009 0120 2	200
GMK.M16(B/G)	M16X1.5	5	22	9 00 009 0160 1	9 00 009 0160 2	200
GMK.M18(B/G)	M18X1.5	5	24	9 00 009 0180 1	9 00 009 0180 2	200
GMK.M20(B/G)	M20X1.5	6	27	9 00 009 0200 1	9 00 009 0200 2	200
GMK.M22(B/G)	M22X1.5	6	30	9 00 009 0220 1	9 00 009 0220 2	200
GMK.M25(B/G)	M25X1.5	6	32	9 00 009 0250 1	9 00 009 0250 2	200
GMK.M32(B/G)	M32X1.5	7	41	9 00 009 0320 1	9 00 009 0320 2	100
GMK.M40(B/G)	M40X1.5	8	50	9 00 009 0400 1	9 00 009 0400 2	100
GMK.M50(B/G)	M50X1.5	8	60	9 00 009 0500 1	9 00 009 0500 2	60
GMK.M63(B/G)	M63X1.5	8	75	9 00 009 0630 1	9 00 009 0630 2	60