

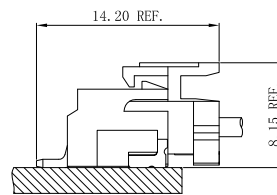
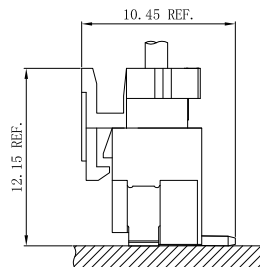
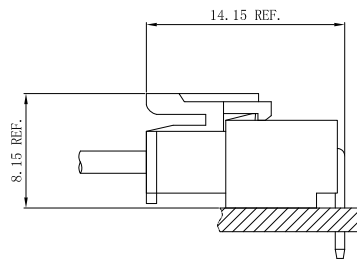
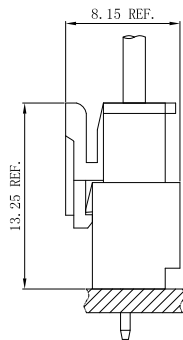
## Specifications

- Voltage rating: 250V AC, DC
- Current Rating: 3A, AC, DC
- Withstand voltage: 1000V AC/minute
- Contact resistance: 20mΩ max
- Insulation resistance: 1000mΩ min
- Temperature range: -25°C ~ +85°C
- Compliant with RoHS and REACH
- Contact JVT for details

## Standards



## Assembly layout



JVT CONNECTORS  
 TEL: +86-0769-39015968/81608536  
 FAX: +86-0769-8535 8632  
 Http://www.jvt.ltd

**JVT2501H**

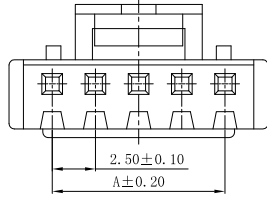
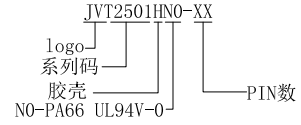
2.5mm Pitch housing

HOUSING

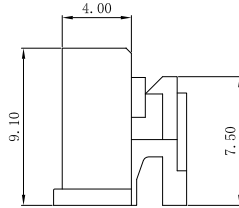
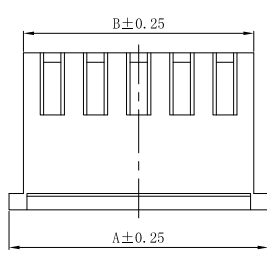
Part No.: JVT2501HNO-XX

Material: Nylon 66 UL94V-0

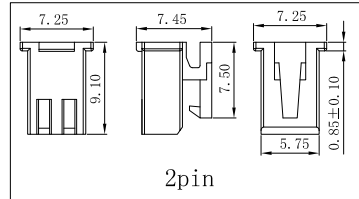
Mates With Part(s): JVT2501 Terminal



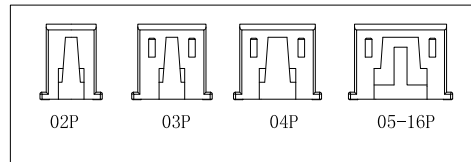
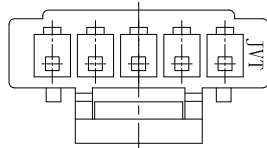
Poles	Dimensions (mm)			Poles	Dimensions (mm)		
	A	B	C		A	B	C
2	7.25	2.50	5.75	10	27.25	22.50	25.75
3	9.75	5.00	8.25	11	29.75	25.00	28.25
4	12.25	7.50	10.75	12	32.25	27.50	30.75
5	14.75	10.00	13.25	13	34.75	30.00	33.25
6	17.25	12.50	15.75	14	37.25	32.50	35.75
7	19.75	15.00	18.25	15	39.75	35.00	38.25
8	22.25	17.50	20.75	16	42.25	37.50	40.75
9	24.75	20.00	23.25				



3-16pin

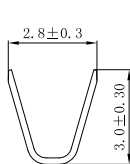
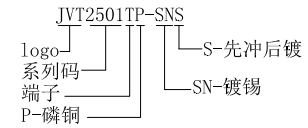
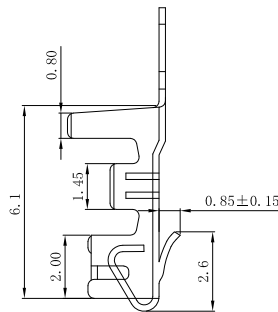
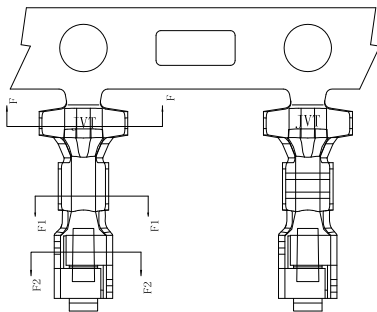


2pin

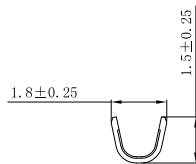


**JVT2501T**

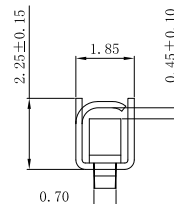
2.5mm Pitch Crimp Terminal



SECTION F-F



SECTION F1-F1

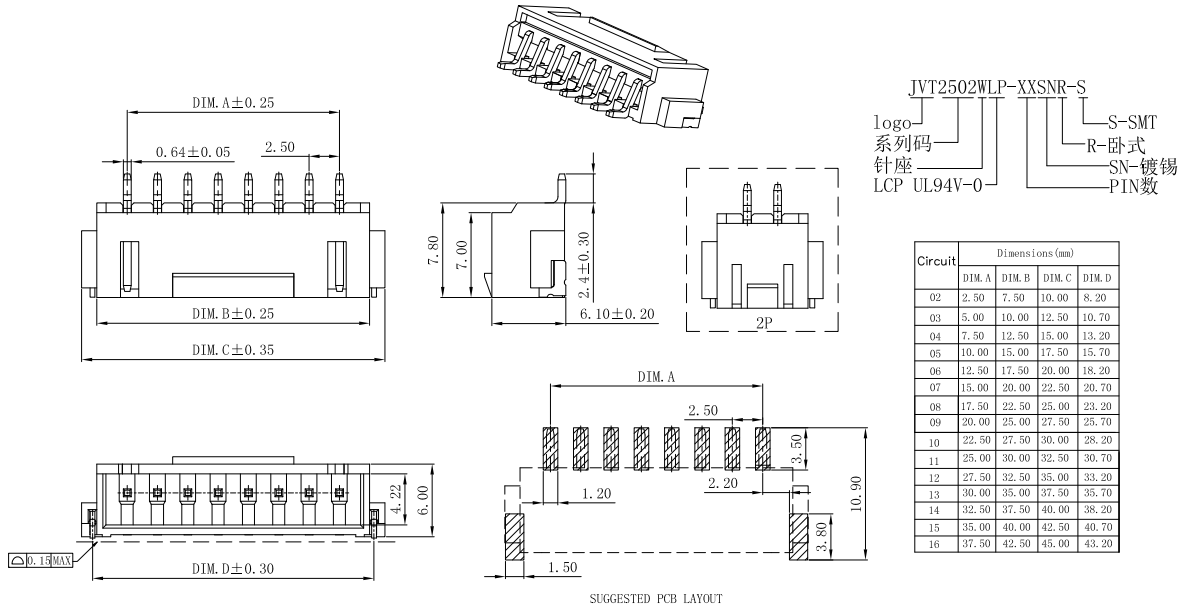


SECTION F2-F2

JVT2501TP-SNS	Phos Bronze	Tin Plated	AWG#22-28	2.2mm(Max)	JVT2501 HOUSING
PART NO	Material	Finish(Pin)	Wire Range	Insulation O.D.	Mates With Part(s)

**JVT2502W**

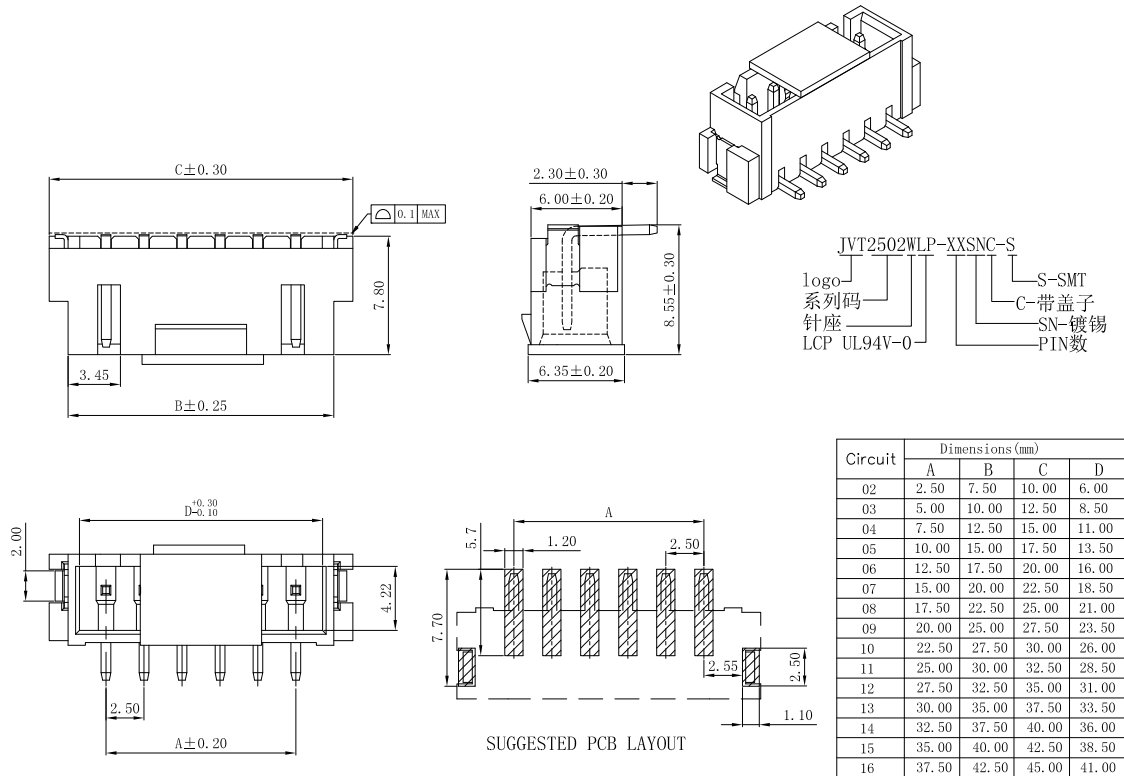
2.5mm Pitch 90°Wafer-SMT TYPE



JVT2502WLP-XXSNR-S	LCP UL94V-0	Brass	Tin plating	Phos Bronze	JVT2501 Housing
PART NO	Material	Material(Pin)	Finish(Pin)	Material (Solder Tabs)	Mates With Part(s)

**JVT2502W**

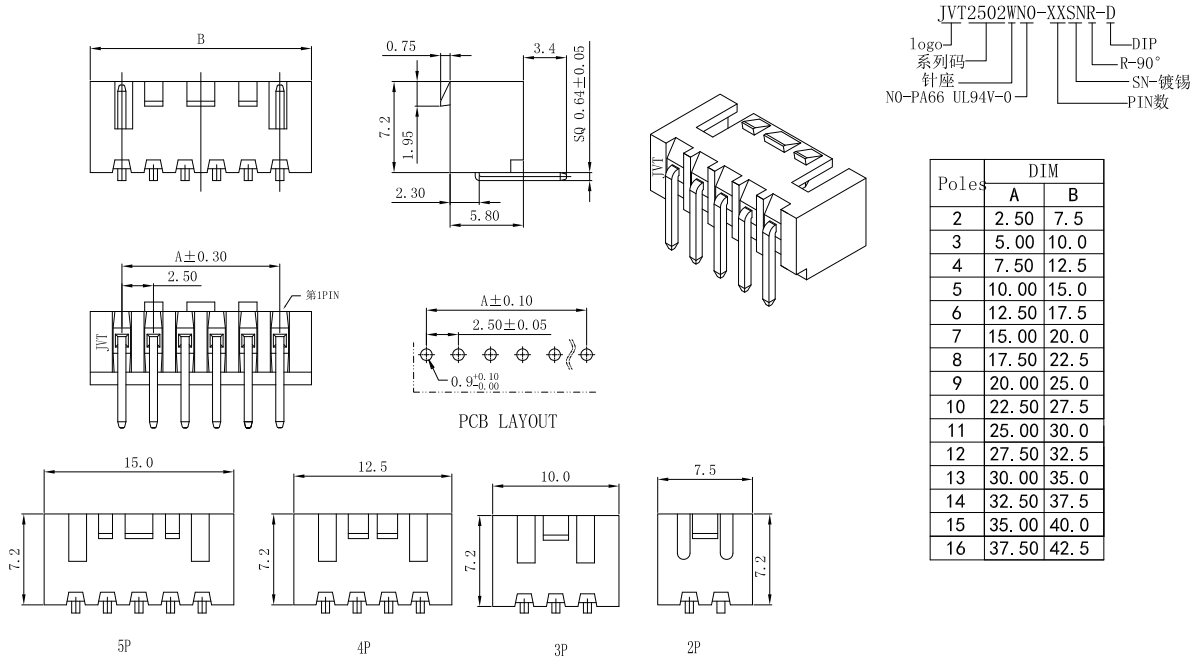
2.5mm Pitch Wafer-SMT TYPE



JVT2502WLP-XXSNC-S	LCP UL94V-0	Brass	Tin plating	Phos Bronze	JVT2501 Housing
PART NO	Material	Material(Pin)	Finish(Pin)	Material (Solder Tabs)	Mates With Part(s)

**JVT2502W**

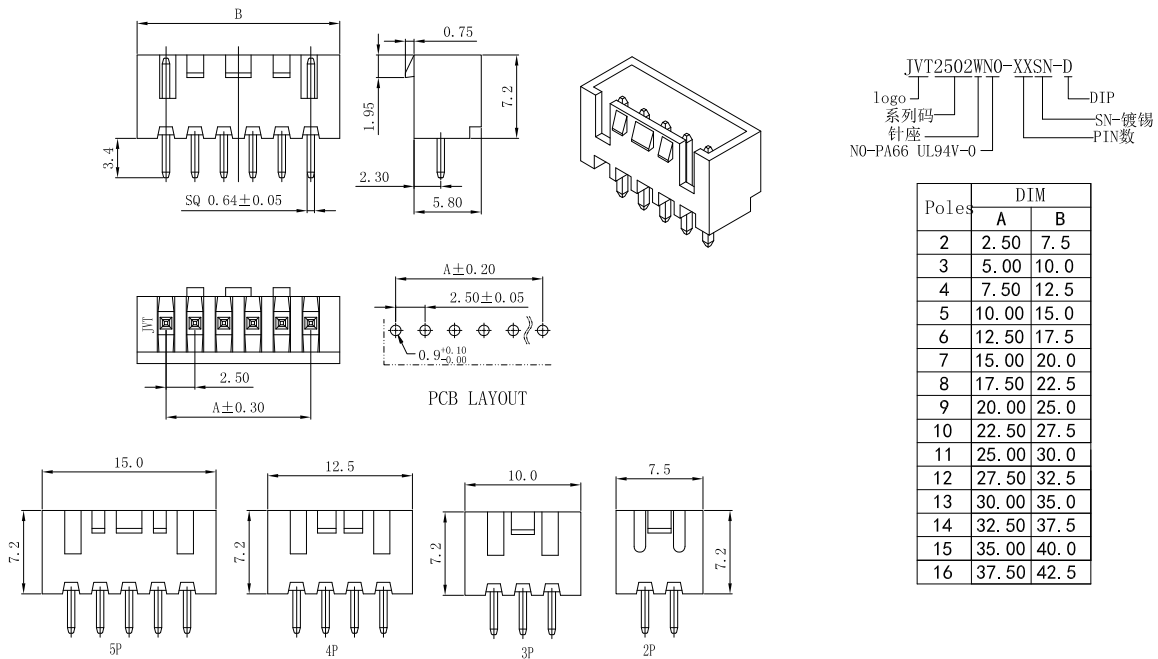
2.5mm Pitch 90°Wafer-DIP TYPE



JVT2502WN0-XXSN-S	PA66 UL94V-0	Brass	Tin Plated	JVT2501 Housing
PART NO	Material	Material(Pin)	Finish(Pin)	Mates With Part(s)

**JVT2502W**

2.5mm Pitch Wafer-DIP TYPE



JVT2502WN2-XXSNR-S	PA66 UL94V-0	Brass	Tin Plated	JVT2501 Housing
PART NO	Material	Material(Pin)	Finish(Pin)	Mates With Part(s)