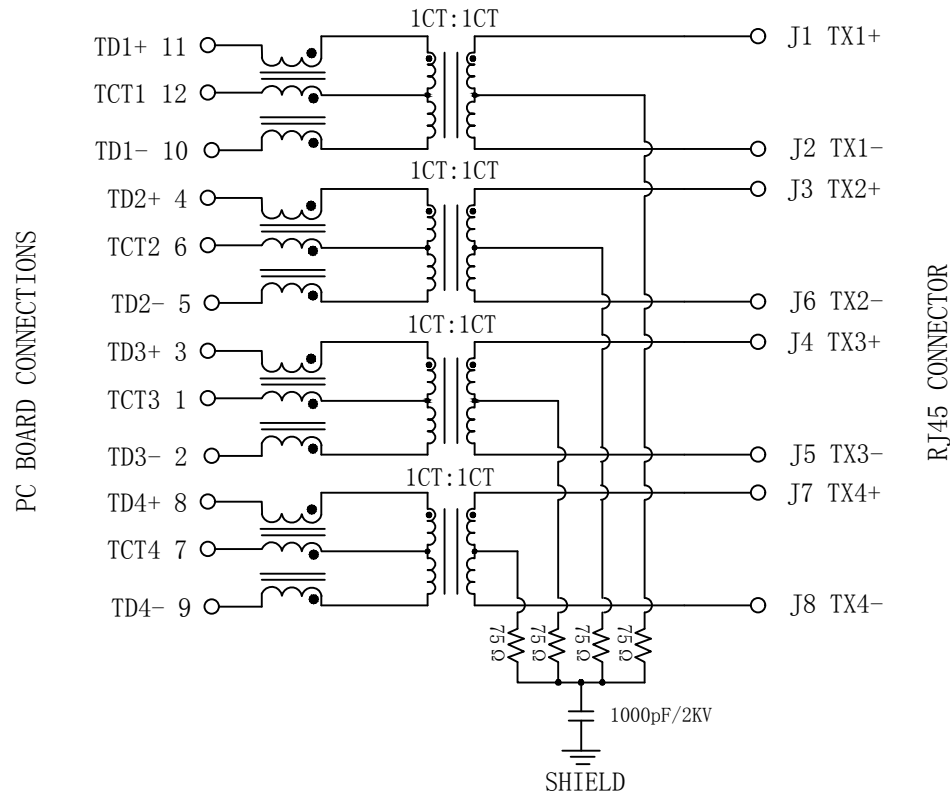


Schematic:

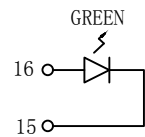
REV.	ECN NO.	DESCRIPTION	DATE	APPD
A	REL		2019/06/19	



Electrical Specifications @25°C

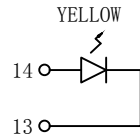
- Turns Ratio(±2%):
1CT:1CT
- Insertion Loss(dB Max):
1-40MHz:-0.8 40-125MHz:-1.2
125-250MHz:-3.0
- Return Loss(dB Min):
1-40MHz:-18 40-100MHz:-14
100-250MHz:-10
- CDMR(dB Min):
1-250MHz:-40
- Hi-Pot: 1500Vrms @60Hz
- OCL:
220uH Min @100KHz/0.1V/11mA DC Bias
- Operating Temperature: 0°C~70°C.

Emitting Color	λ p(nm)	VF@IF=20mA	IR @VR=5V
GREEN	565	1.8-2.6V	10 μA max
YELLOW	585	1.8-2.6V	10 μA max



LEFT LED

LED POLARITY		COLOR
PIN 16	PIN 15	GREEN
+	-	



RIGHT LED

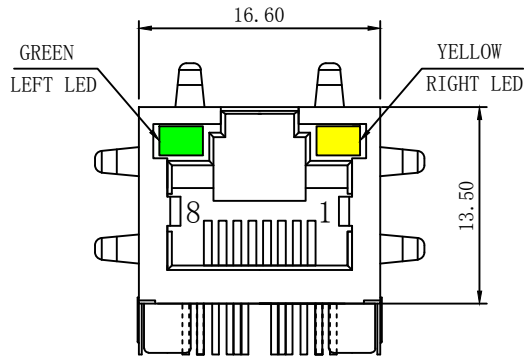
LED POLARITY		COLOR
PIN 14	PIN 13	YELLOW
+	-	



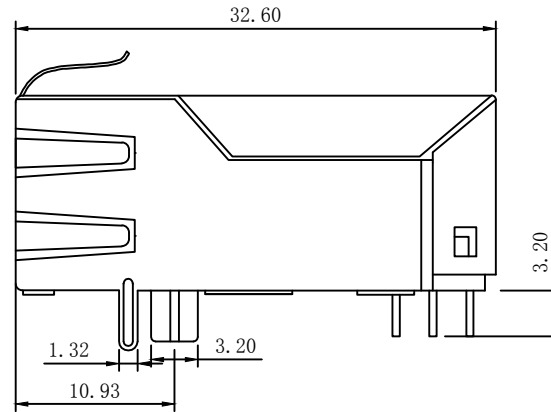
X:X ±0.30	APPD:	LINK-PP INT'L TECHNOLOGY CO., LIMITED
X:XX ±0.25	CHKD:	
X:XXX ±0.05	DR: James	TITLE: RJ45 Connector with 2.5G Base-T Integrated Magnetics
ANGLES ±1°	UNIT: mm	PART NO.: LPJK25036AHNL
	SCALE: 2/1	SHEET: 1/2
	REV: A	DWG NO.: LP19061902

Mechanical:

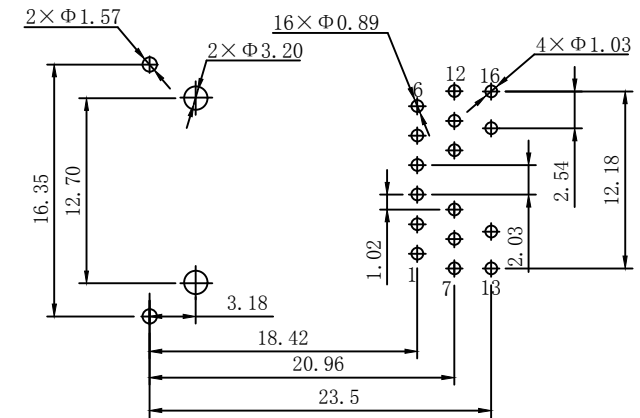
REV.	ECN NO.	DESCRIPTION	DATE	APPD
A	REL		2019/06/19	



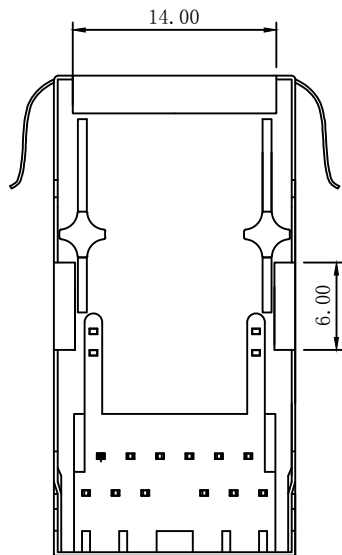
Front Side View



Left Side View



Suggested PCB Layout (Top View)



Bottom Side View



Top Side View

NOTES:

1. Designed to support application, such as SOHO (ADSL modems), LAN-on-Motherboard (LOM), hub and Switches.
2. Meets IEEE 802.3 specification
3. Connector Materials:
Housing: Thermoplastic UL94V-0
Contact/Shield: Copper alloy
Shield plating: Nickel
Contact plating: Gold 6 micro-inches Min. In contact area.
4. Wave peak temperature: 260°C Max, 5Sec Max
5. UL Certification: File Number E484635



X:X ±0.30	APPD:	LINK-PP INT'L TECHNOLOGY CO., LIMITED
X:XX ±0.25	CHKD:	
X:XXX ±0.05	DR: James	TITLE: RJ45 Connector with 2.5G Base-T Integrated Magnetics
ANGLES ±1°	UNIT: mm	PART NO.: LPJK25036AHNL
	SCALE: 2/1	SHEET: 2/2
	REV: A	DWG NO.: LP19061902