

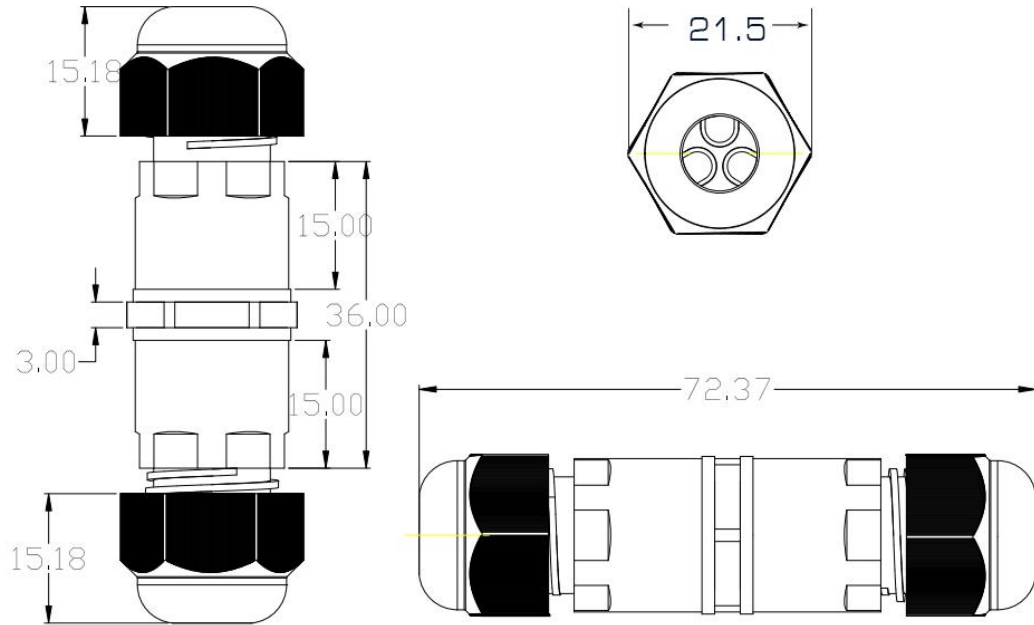
IP68 waterproof connector

M682- B(2P / 3P)

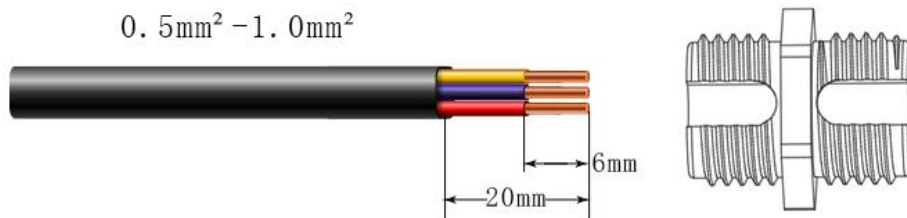


Technical data		
Model	M682-B	
Material	Housing	Conductor
	Nylon	Brass
Rated power	13.5A 450VAC	
IP code	IP68	
Core	2P/3P	
Working	T105	
Rated connecting capacity	0.5 ~ 1.0mm ²	
Available cable diameter	5.5-7.5mm (Rubber cable)	
Refer to stripping length	External stripping 20mm Internal stripping 6mm	
Testing	20M 150hours	
Product Size	72mm*21mm	
Certification	KEMA ,ENEC,CE,CB,SAA,ROHS	
Package	100PCS/PE bag 1000PCS/Carton, Carton size:38*31*30CM G.W.:16.5KG/Carton	

Dimensions



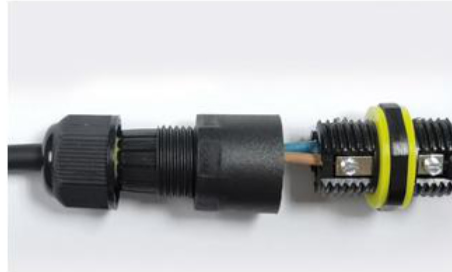
Refer to stripping length



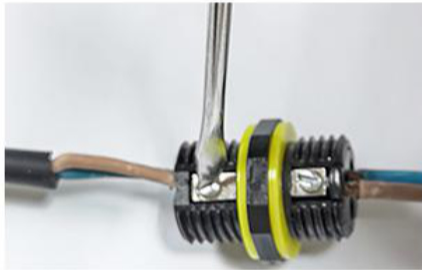
Wiring steps



1. open the nut cover at both end sides,
Take out the quick connector



2. Thread the cable through the nut



3. After the wire is inserted into the
inner core of the wiring, the screw is fixed



4. Connect the wires and tighten
the sleeves and nuts at both ends



5. Twist and tighten the cable glands