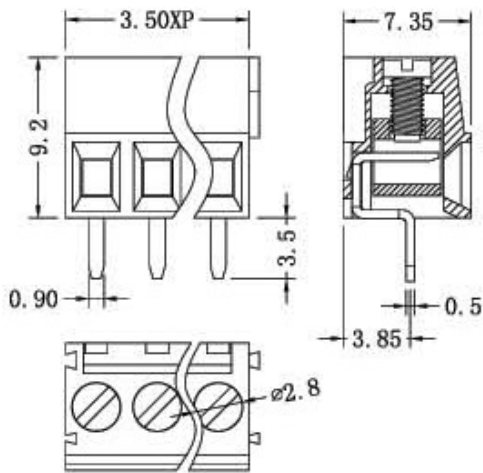


XY302V-3.5



Dimensions

Poles:	2P,3P-24P
Pitch:	3.5mm(.138")

Electrical

Standard:	UL	IEC
Voltage Rating:	150V	130V
Current Rating:	10A	10A
Wire range:	26-16AWG	1.0mm ²
Withstand voltage	AC2000V/Min	

Mechanical

Torque:	0.2N.m(1.7Lb-In.)
Ambient temperature	-40°C~+105°C
Strip length	5mm

Material

Housing:	PA66(UL 94V-0)
Pin header:	Brass, Tin Plated
Wire Cage:	Brass, Nickel Plated
Screw:	M2, steel, A3 Zn plated