

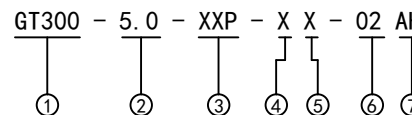
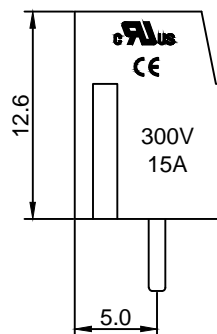
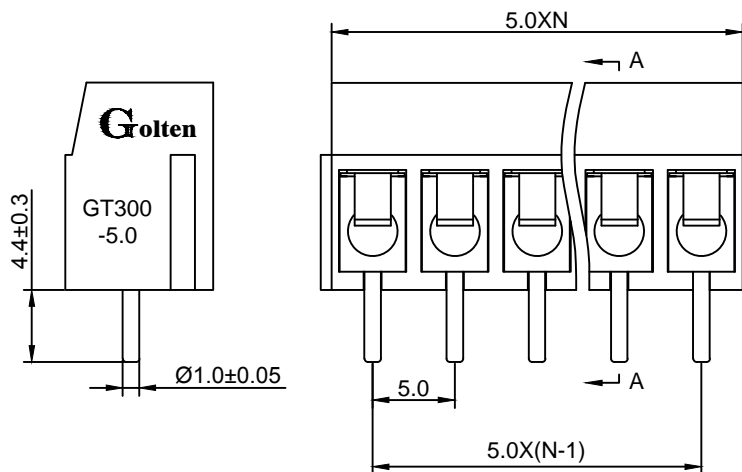
**Material :**

- (a) Housing : PBT(UL94V-0)
- (b) Screws : Steel , Cr<sup>3+</sup>Zn Plated
- (c) Wire Guard : Stainless Plated
- (d) Pin Header : Brass , Tin Plated

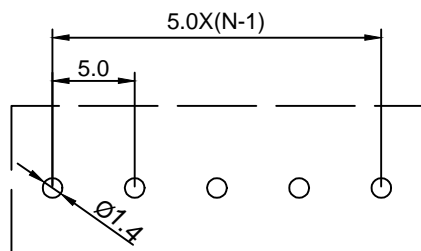
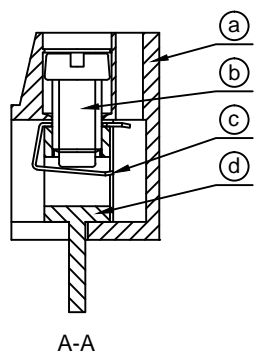
**Electrical :**

- |                              |                |                    |
|------------------------------|----------------|--------------------|
|                              | UL             | IEC                |
| 1.Rated Voltage :            | 300V           | 250V               |
| 2.Rated Current :            | 10A            | 15A                |
| 3.Torque Value :             | M3 , 4.43Lb.in | M3 , 0.5N.m        |
| 4.Wire Range:                | 22-14AWG       | 2.5mm <sup>2</sup> |
| 5.Stripping Length :         | 5-6mm          |                    |
| 6.Withstanding Voltage :     | AC2000V/1Min.  |                    |
| 7.Operating Temperature :    | -30 °C~+120 °C |                    |
| 8.RoHS Compliance            |                |                    |
| 9.Safty Approval :           | cULus          |                    |
| 10.Undimensioned Tolerances: |                |                    |

Pitch Range In mm		Nominal Dimension Range In mm				—	∩	∇
≤6	6 ~ 10	10 ~ 24	≤30	30 ~ 60	60 ~ 100	100 ~ 150	>150	0.05/10
±0.10	±0.15	±0.25	±0.20	±0.30	±0.50	±0.70	±1.00	±0.1°



- ① Series No.
- ② Pitch
- ③ Poles  
02 02Contacts  
03 03Contacts  
...  
24 24Contacts
- ④ 1 Single Pitch  
2 Double Pitch
- ⑤ Color: 1 Grey  
2 Blue(Standard For AH)  
3 Black  
4 Green  
5 Orange  
6 Red  
7 Transparent  
8 Yellow  
9 White
- ⑥ Customer Request : 00--Standard  
02--Screw"+"
- ⑦ AH--Standard(PBT)



DETACHED LISTS	<b>Grolten</b> 宁波冠泰电子有限公司 NINGBO GOLTEN ELECTRONICS CO., LTD.													
	APPD: MA_12/7/16'	PART NO. GT300-5.0-XXP-XX-02AH												
	CHKD: Yu_12/6/16'													
	DRFT: Chen_12/5/16'													
 THIRD ANGLE PROJECTION		<table border="1"> <tr> <td>DRAWING NO.</td> <td>REV</td> <td>1</td> </tr> <tr> <td></td> <td>SHEET</td> <td>1/1</td> </tr> <tr> <td>MM (INCH)</td> <td>DO NOT SCALE DRAWING</td> <td>SCALE</td> </tr> <tr> <td></td> <td></td> <td>1/1</td> </tr> </table>	DRAWING NO.	REV	1		SHEET	1/1	MM (INCH)	DO NOT SCALE DRAWING	SCALE			1/1
DRAWING NO.	REV	1												
	SHEET	1/1												
MM (INCH)	DO NOT SCALE DRAWING	SCALE												
		1/1												